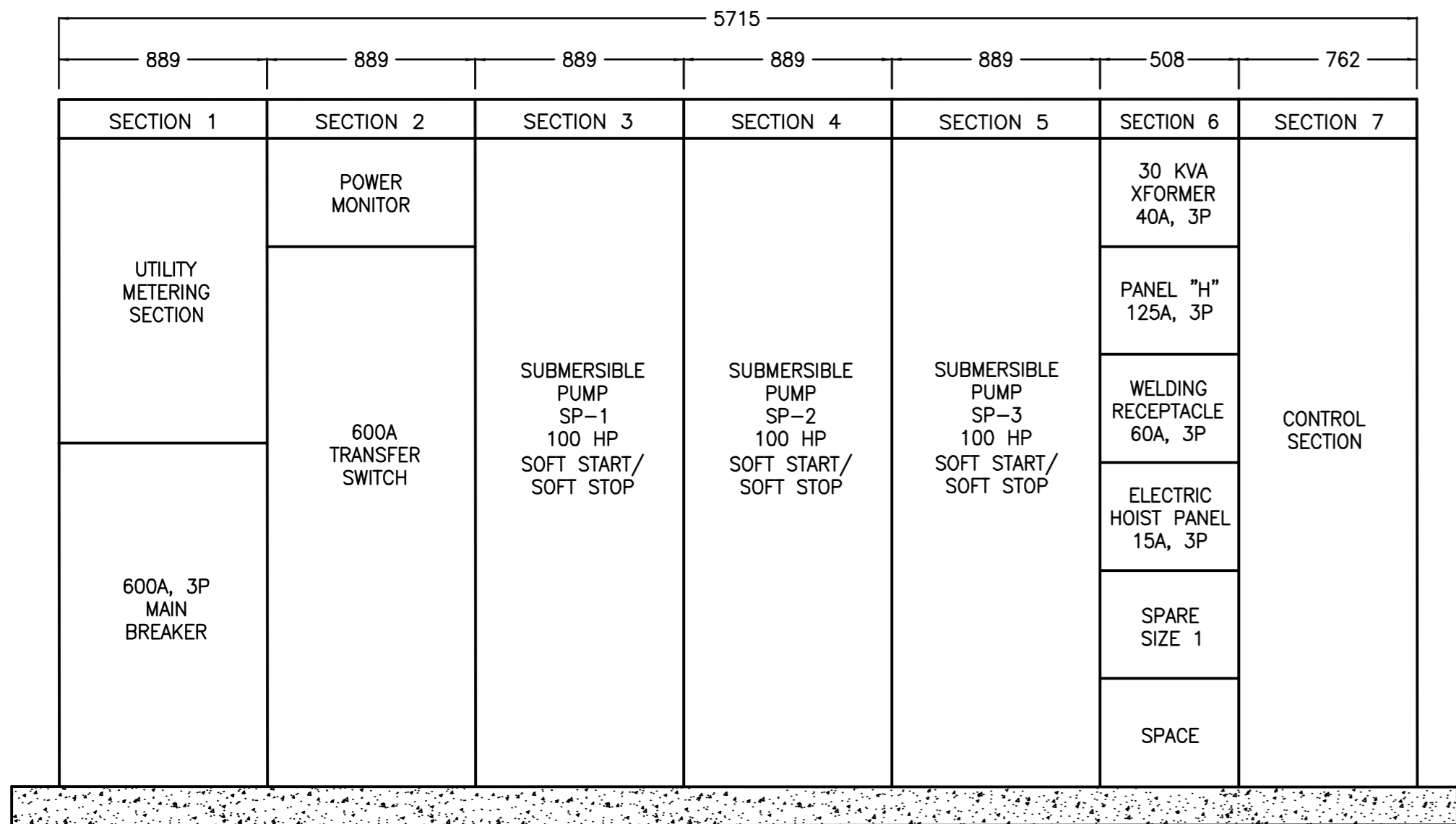
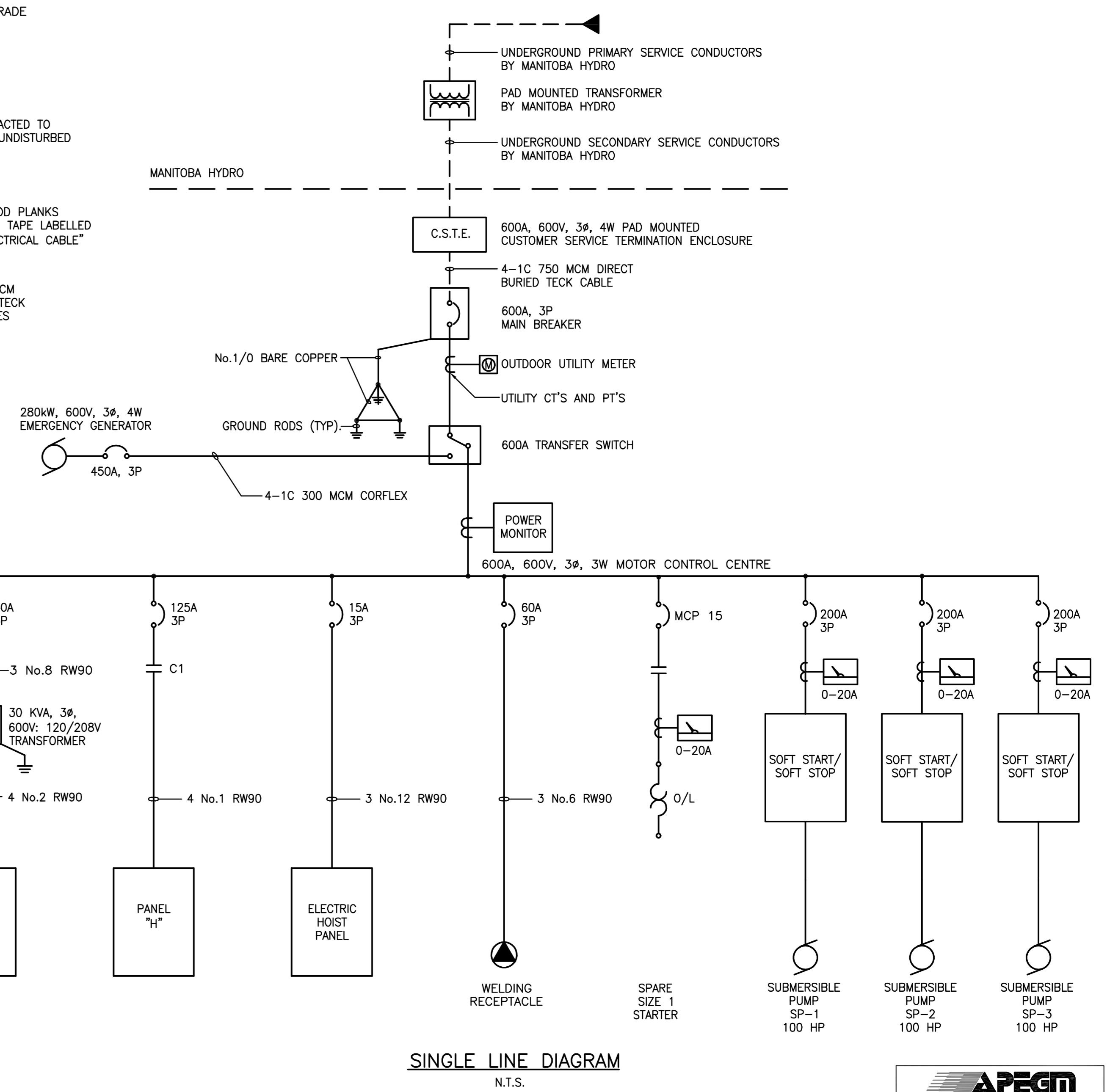
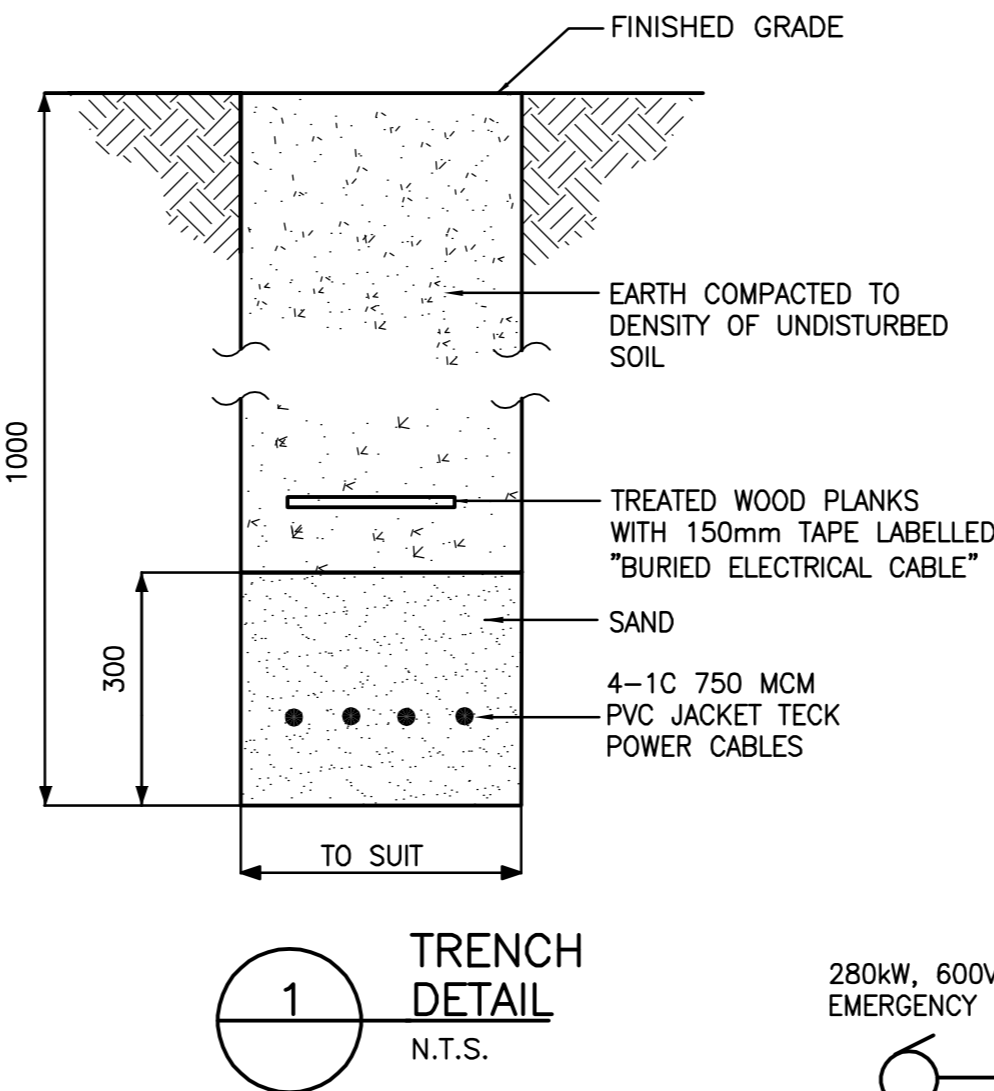
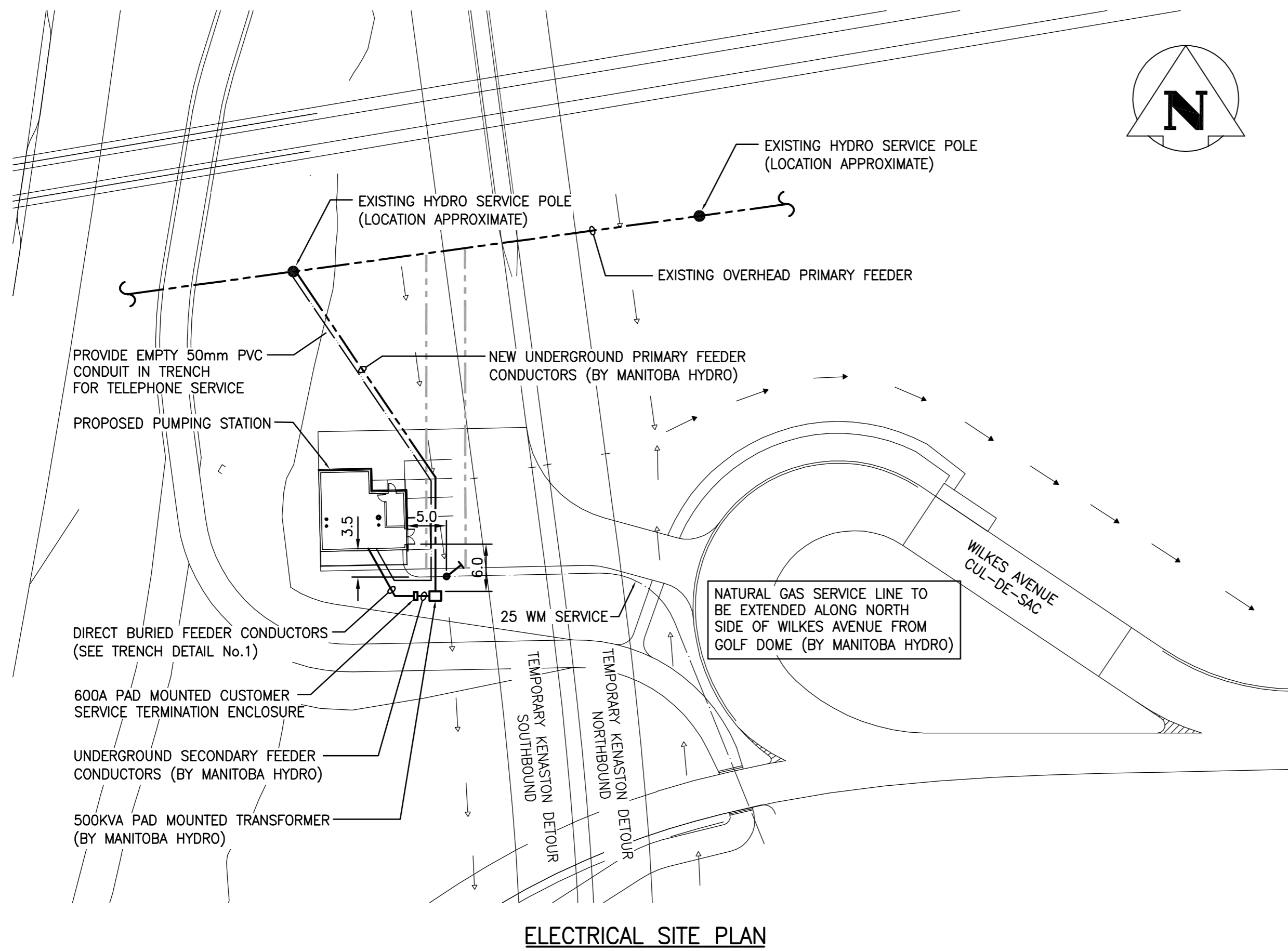


MOTOR SCHEDULE								
No.	HP/KW	DESCRIPTION	VOLTS	Ø	STARTER TYPE	STARTER LOCATION	CONTROL	FEEDER
SP-1	100	SUBMERSIBLE PUMP	600	3	SOFT START/ SOFT STOP	MCC	AS SHOWN	3 No.2
SP-2	100	SUBMERSIBLE PUMP	600	3	SOFT START/ SOFT STOP	MCC	AS SHOWN	3 No.2
SP-3	100	SUBMERSIBLE PUMP	600	3	SOFT START/ SOFT STOP	MCC	AS SHOWN	3 No.2
EF-1	1/2	EXHAUST FAN	208	1	2 SPEED	LOCAL PANEL	AS SHOWN	2 No.12
UH-1	20 KW	MAIN FLOOR UNIT HEATER	600	3	-	-	THERMOSTAT	3 NO.10
UH-2	20 KW	MAIN FLOOR UNIT HEATER	600	3	-	-	THERMOSTAT	3 NO.10
UH-3	15 KW	MECHANICAL ROOM UNIT HEATER	600	3	-	-	THERMOSTAT	3 NO.12
FF-1	5 KW	STAIRWELL FORCE FLOW HEATER	347	1	-	-	THERMOSTAT	2 NO.12



- NOTES:**
- CONTRACTOR SHALL COORDINATE WITH MANITOBA HYDRO FOR THE COMPLETE INSTALLATION OF UNDERGROUND PRIMARY FEEDER CONDUCTORS, PAD MOUNTED HYDRO TRANSFORMER SECONDARY FEEDER CONDUCTORS AND GAS SERVICE LINE IN ADDITION TO ANY ADDITIONAL REQUIREMENTS THAT MIGHT ARISE DURING THE INSTALLATION.
  - CONTRACTOR SHALL COORDINATE WITH MTS FOR THE COMPLETE INSTALLATION OF UNDERGROUND TELEPHONE SERVICE CONDUCTORS IN ADDITION TO ANY ADDITIONAL REQUIREMENTS THAT MIGHT ARISE DURING THE INSTALLATION.
  - A FOUR (4) METER EASEMENT FOR THE POWER AND TELEPHONE SERVICE CONDUCTORS (COMMON TRENCH) AND THE GAS SERVICE LINE (SEPARATE TRENCH) IS REQUIRED AS PART OF THE SERVICE AGREEMENTS WITH MANITOBA HYDRO AND MTS. NO PERMANENT STRUCTURES MAY BE PLACED ON EASEMENTS AS PART OF THESE AGREEMENTS.

**LOCATION APPROVED UNDERGROUND STRUCTURES**

SUPV. U/G STRUCTURES	DATE

**NOTE:**  
LOCATION OF UNDERGROUND STRUCTURES AS SHOWN ARE BASED ON THE BEST INFORMATION AVAILABLE BUT NO GUARANTEE IS GIVEN THAT THE GIVEN LOCATIONS ARE EXACT. CONFIRMATION OF EXISTENCE AND EXACT LOCATION OF ALL SERVICES MUST BE OBTAINED FROM THE INDIVIDUAL UTILITIES BEFORE PROCEEDING WITH CONSTRUCTION.

B.M. ELEV.		

**Stantec Consulting Ltd.**  
905 Waverley Street, Winnipeg, Manitoba  
Tel 204-489-5900 Fax 204-453-9012

DESIGNED BY: D.W.D. CHECKED BY: D.W.D.  
DRAWN BY: G.K.L. APPROVED BY: D.W.D.

HOR. SCALE: AS SHOWN AUTHORIZED BY: DATE  
R. FINGAS, P. ENG. 05.12.09  
R. FINGAS, P. ENG. BRIDGE PROJECTS ENGINEER

ENGINEER'S SEAL  
ORIGINAL SEALED BY  
D.W. DOWHAN  
P. ENG.  
05.12.09

CONSULTANT DRAWING NO.  
**I13703042-E03**

**THE CITY OF WINNIPEG**  
PROCESSING PLAN AND SECTIONS  
ENGINEERING DIVISION

**Kenaston Underpass**  
KENASTON UNDERPASS PUMPING STATION

ELECTRICAL - SITE PLAN AND  
MCC DETAILS

SHEET 22 OF 25  
CAD FILE DRAWING NUMBER  
I13703042-E03.dwg  
CITY DRAWING NUMBER  
**P-3258-166**

**APEGM**  
Certificate of Authorization  
Stantec Consulting Ltd.  
No. 1301 Expiry: April 30, 2006

I:\Projects\13703042 - Kenaston UP REVISION\CONTRACT 5 - Pumproom\Electrical\I13703042-E03.dwg  
 2013-05-13 11:21:32 AM  
 3P, 600V