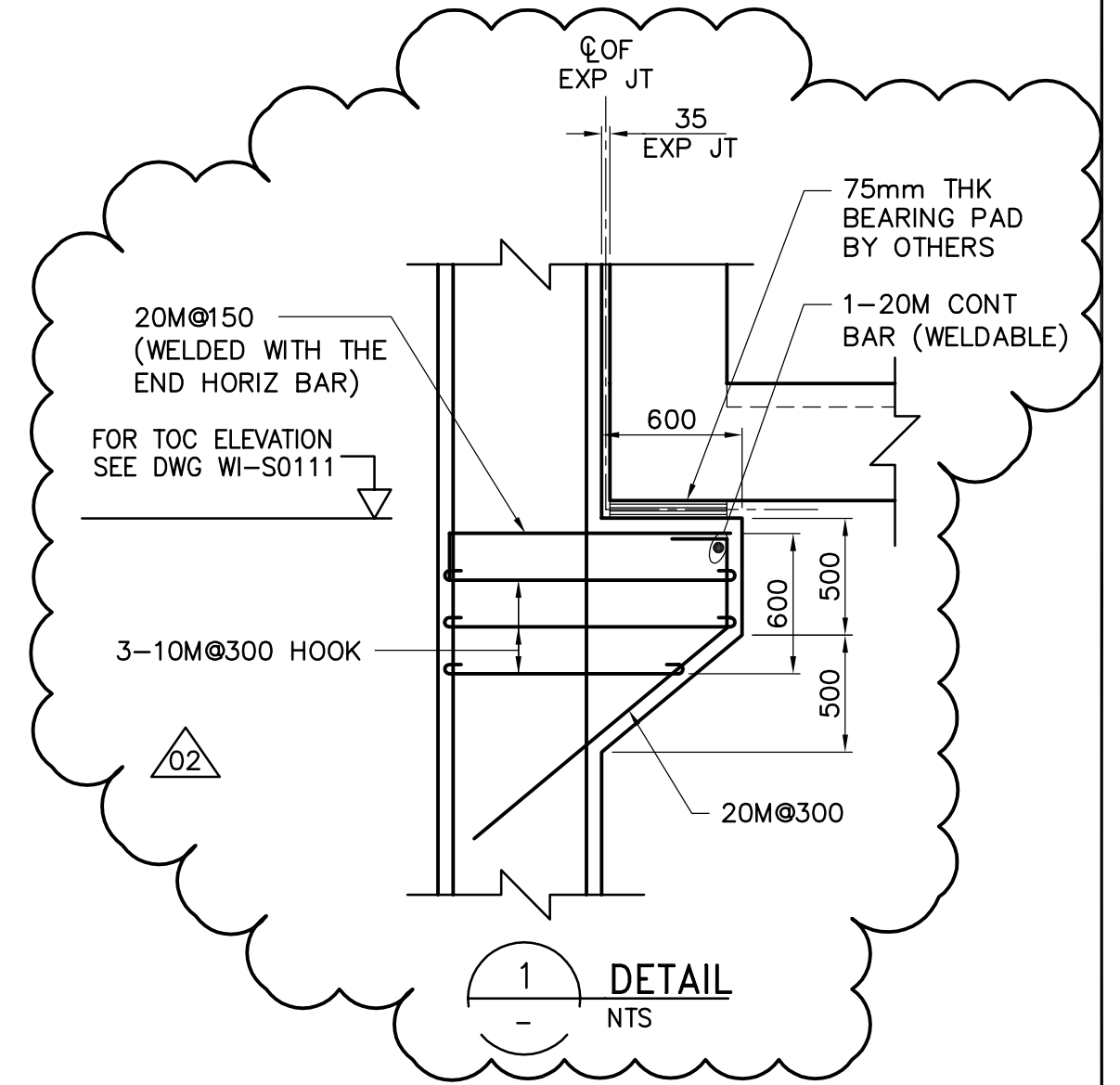
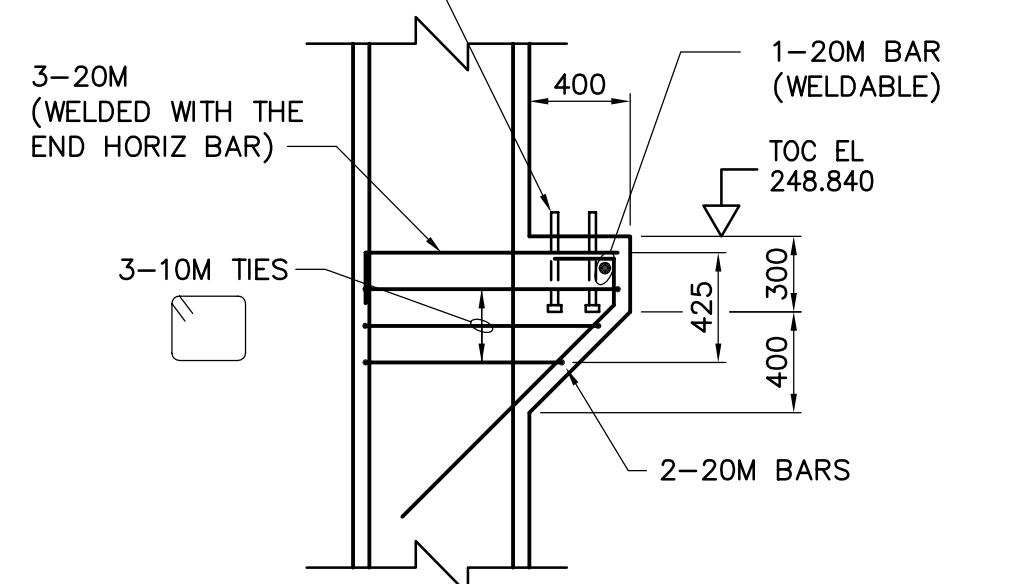


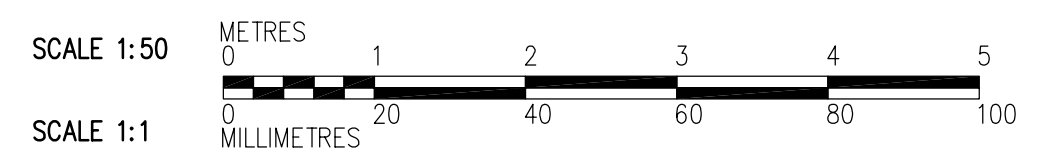
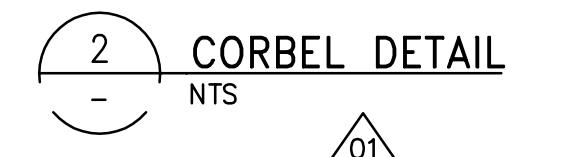
**NOTES:**  
1. SEE PLANS FOR SLAB REINFORCEMENT.



4-20mm DIA ANCHOR BOLTS  
LOCATION AND SPACING TO  
BE DETERMINE IN SEPARATE  
CONTRACT



CORBEL WIDTH TO MATCH COLUMN WIDTH



**APEGM**  
Certificate of Authorization  
CH2M Hill Canada Limited (ON)  
No. 1441 Expiry: April 30, 2006

NO.	REVISIONS	DATE	BY
02	650-2005 ADDENDUM 3	05/11/24	EL
01	650-2005 ADDENDUM 2	05/11/16	EL
00	ISSUED FOR TENDER	05/10/28	EL

DESIGNED BY	EL	CHECKED BY	AP
DRAWN BY	RL	APPROVED BY	AHL
SCALE:	1:50	RELEASED FOR CONSTRUCTION BY:	R. SOROKOWSKI
DATE	2005/08/02	DATE	2005/10/28

ENGINEER'S SEAL  
ORIGINAL SIGNED BY  
D. KRUGER  
2005/10/28  
CONSULTANT DRAWING NO.  
WI-S0201

**THE CITY OF WINNIPEG**  
WATER AND WASTE DEPARTMENT  
ENGINEERING DIVISION  
Winnipeg

WATER TREATMENT PLANT  
FOUNDATIONS AND CONCRETE STRUCTURES 1  
STRUCTURAL  
RAW WATER PUMP STATION AREA  
SECTION

CITY FILE NUMBER  
SHEET OF  
CITY DRAWING NUMBER  
**1-0601-A-80201-001-02D**