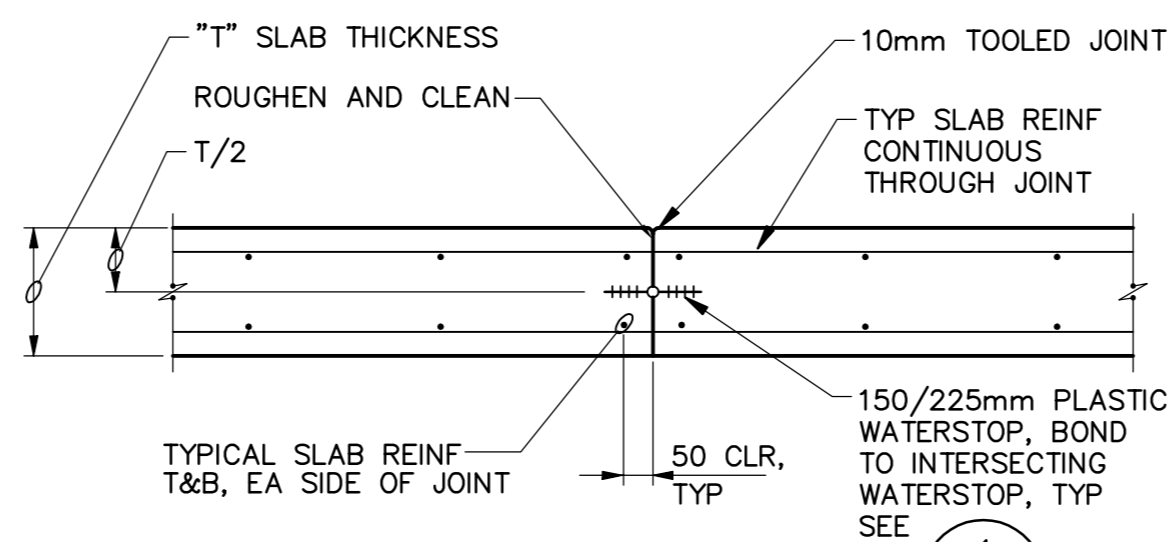
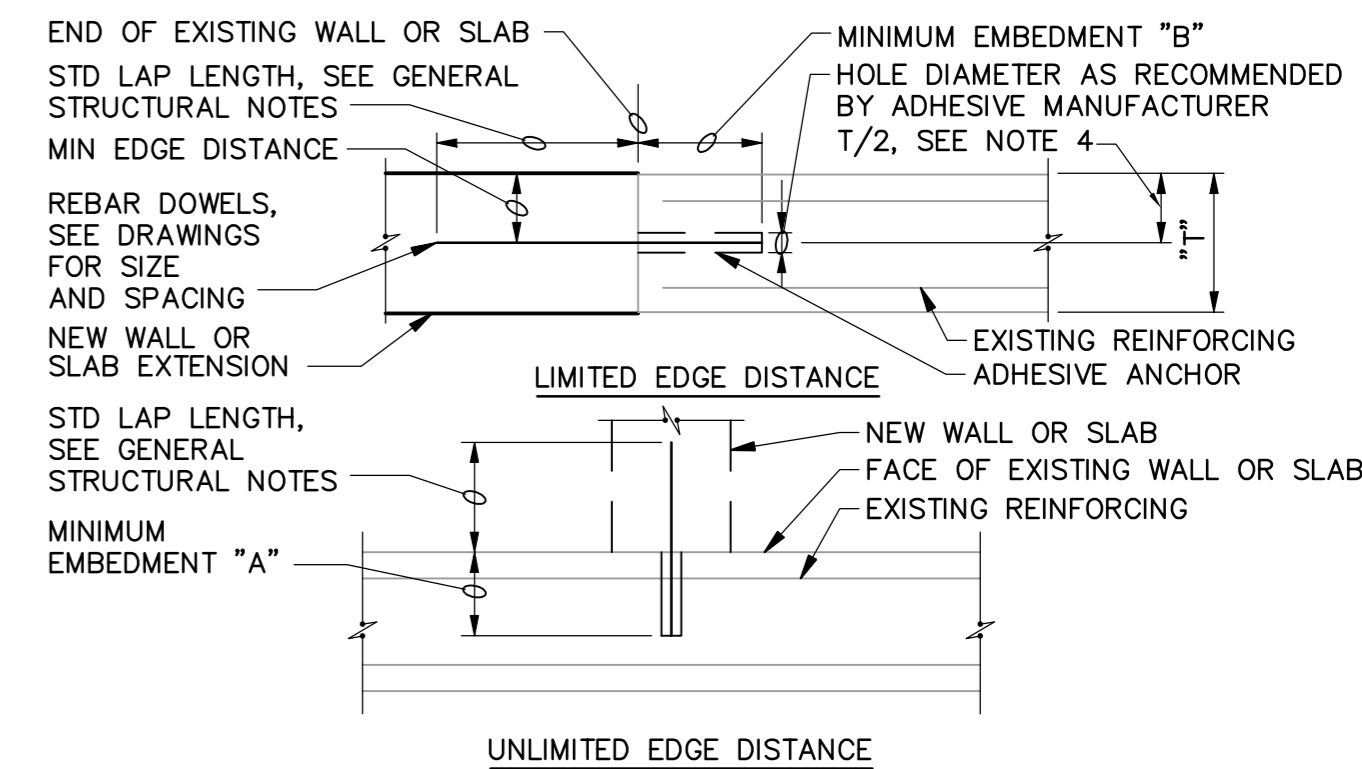


- NOTE:**
- FOR SLAB CONCRETE COVER, SEE **5** WB-S0441
 - FOR SIZE OF WATERSTOP SEE **1** WB-S0446
 - PROVIDE HEIGHT SUCH THAT 10mm CLEARANCE IS MAINTAINED BETWEEN REBAR & EDGE OF WS TYP.

1 WALL CONSTRUCTION JOINT AT ELEVATED SLAB
N.T.S.



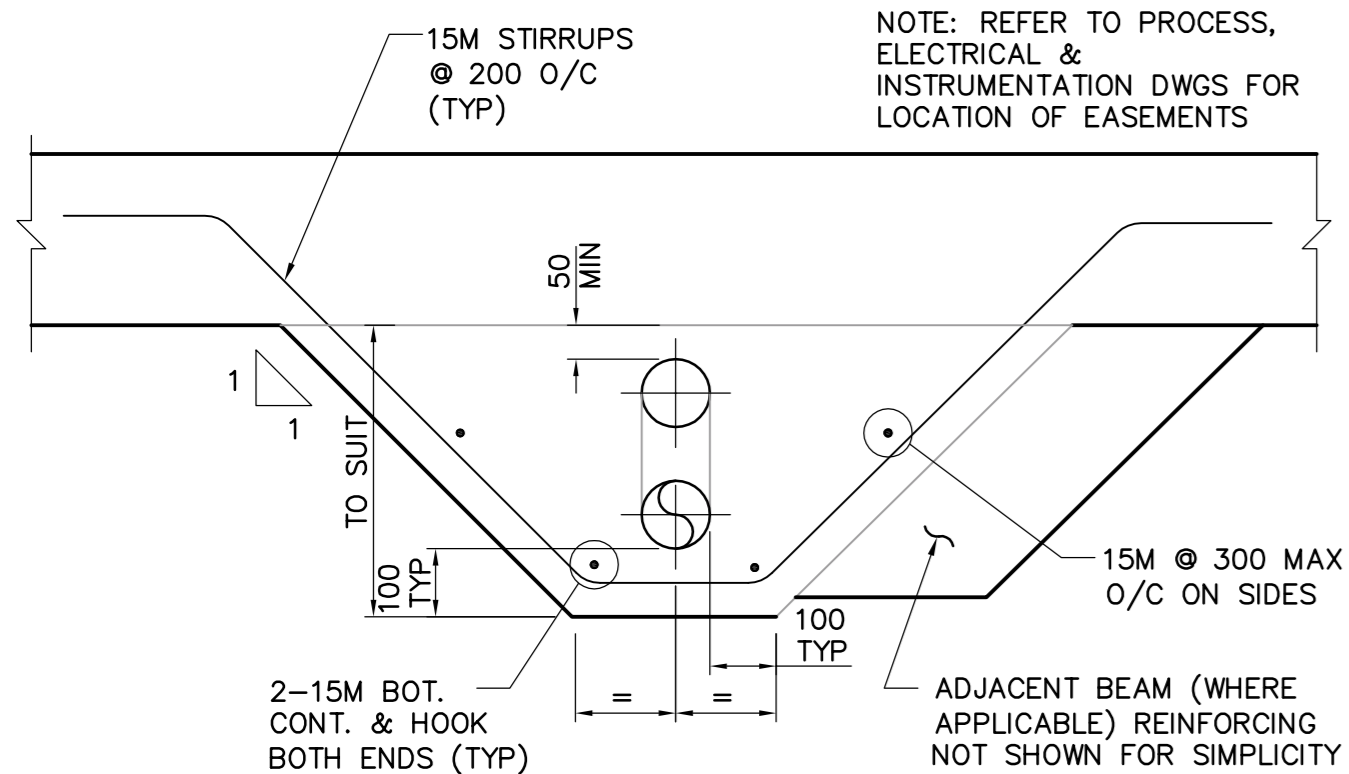
2 SLAB CONSTRUCTION JOINT
N.T.S.



DOWEL SIZE	MINIMUM EDGE DIST	MINIMUM EMBEDMENT A	MINIMUM EMBEDMENT B
10M	65mm	125mm	200mm
15M	100mm	200mm	330mm
20M	125mm	265mm	400mm
25M	175mm	355mm	560mm
30M	190mm	380mm	600mm

- NOTES:**
- CONFORM TO THE REQUIREMENTS OF SPECIFICATION SECTION 03215, DOWELING FOR CONCRETE.
 - FOLLOW ADHESIVE MANUFACTURER'S INSTRUCTIONS FOR INSTALLATION.
 - USE MINIMUM EMBEDMENTS SHOWN, EXCEPT USE MANUFACTURER'S MINIMUM RECOMMENDED EMBEDMENT IF GREATER.
 - LOCATE DOWELS CENTERED IN WALL OR SLAB UNLESS OTHERWISE NOTED ON DRAWINGS. WHERE 2 ROWS OF DOWELS INDICATED, STAGGER SPACING & LOCATE ALTERNATING DOWELS AT MINIMUM EDGE DISTANCE FROM OPPOSITE FACES.

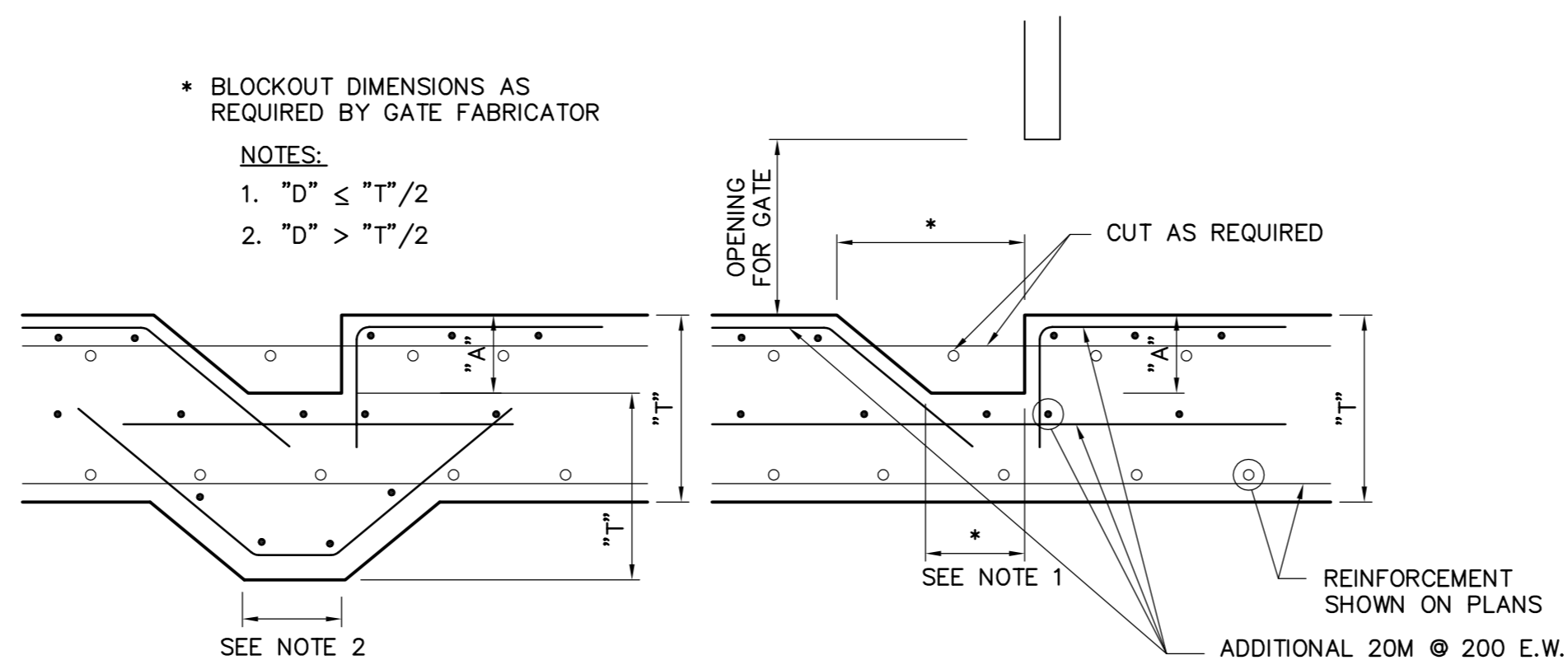
3 ADHESIVE DOWEL
N.T.S.



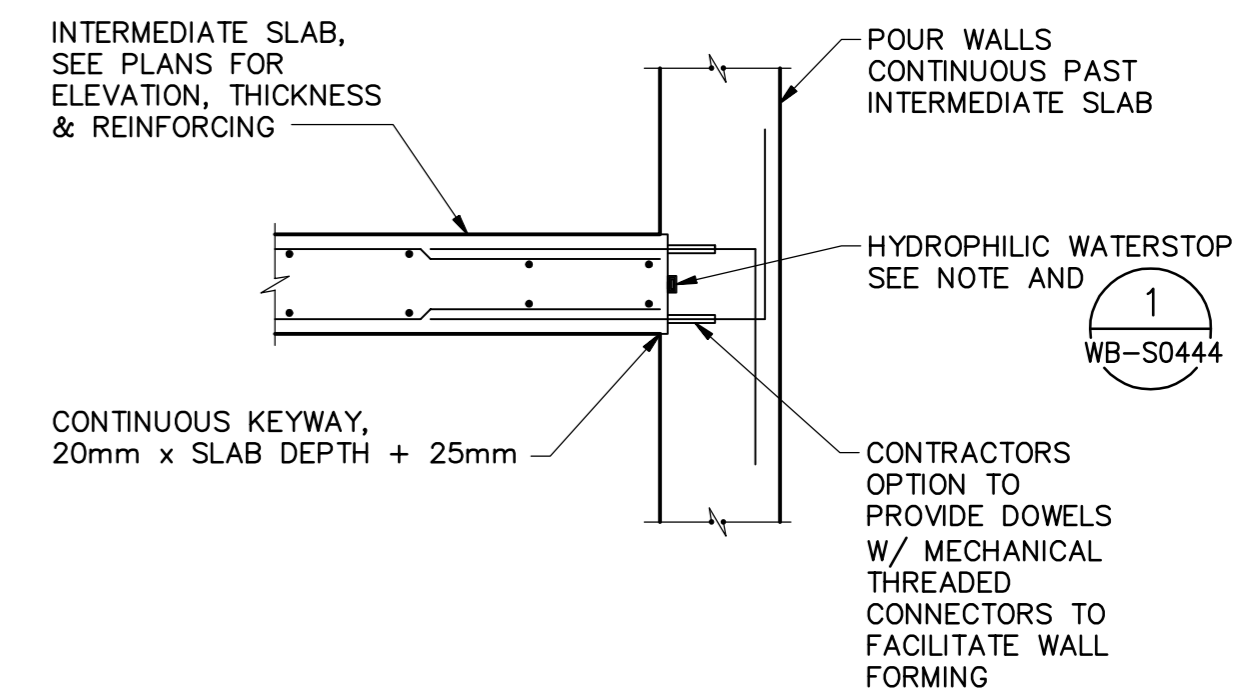
4 PIPE OR CONDUIT ENCASEMENT
N.T.S.

* BLOCKOUT DIMENSIONS AS REQUIRED BY GATE FABRICATOR

- NOTES:**
- "d" ≤ "t"/2
 - "d" > "t"/2



5 GATE SILL BLOCKOUT
N.T.S.



- NOTE:**
- PROVIDE CONTINUOUS HYDROPHILIC WATERSTOP ONLY FOR WATER RETAINING STRUCTURES AND STRUCTURES BELOW GRADE.
 - THIS DETAIL CAN BE REPLACED BY **1** UPON ENGINEERS APPROVAL.

6 SLAB CONSTRUCTION JOINT AT WALL
N.T.S.

APEGM
Certificate of Authorization
CH2M Hill Canada Limited (ON)
No. 1441 Expiry: April 30, 2006

NO.	ISSUED FOR TENDER	DATE	BY
00	ISSUED FOR TENDER	05/10/28	DK
NO.	REVISIONS	DATE	BY

DESIGNED BY	CHECKED BY
DK	AP
DRAWN BY	APPROVED BY
EK	DJT
SCALE:	RELEASED FOR CONSTRUCTION BY:
NTS	R. SOROKOWSKI
DATE 2005/10/24	DATE 2005/10/28

ENGINEER'S SEAL
ORIGINAL SIGNED BY D. KRUGER 2005/10/28
CONSULTANT DRAWING NO. WB-S0443

THE CITY OF WINNIPEG
WATER AND WASTE DEPARTMENT
ENGINEERING DIVISION

WATER TREATMENT PLANT

FOUNDATIONS AND CONCRETE STRUCTURES 1

STRUCTURAL
STANDARD DETAILS

CITY FILE NUMBER
SHEET OF
CITY DRAWING NUMBER
1-060B-D-50443-001-00D