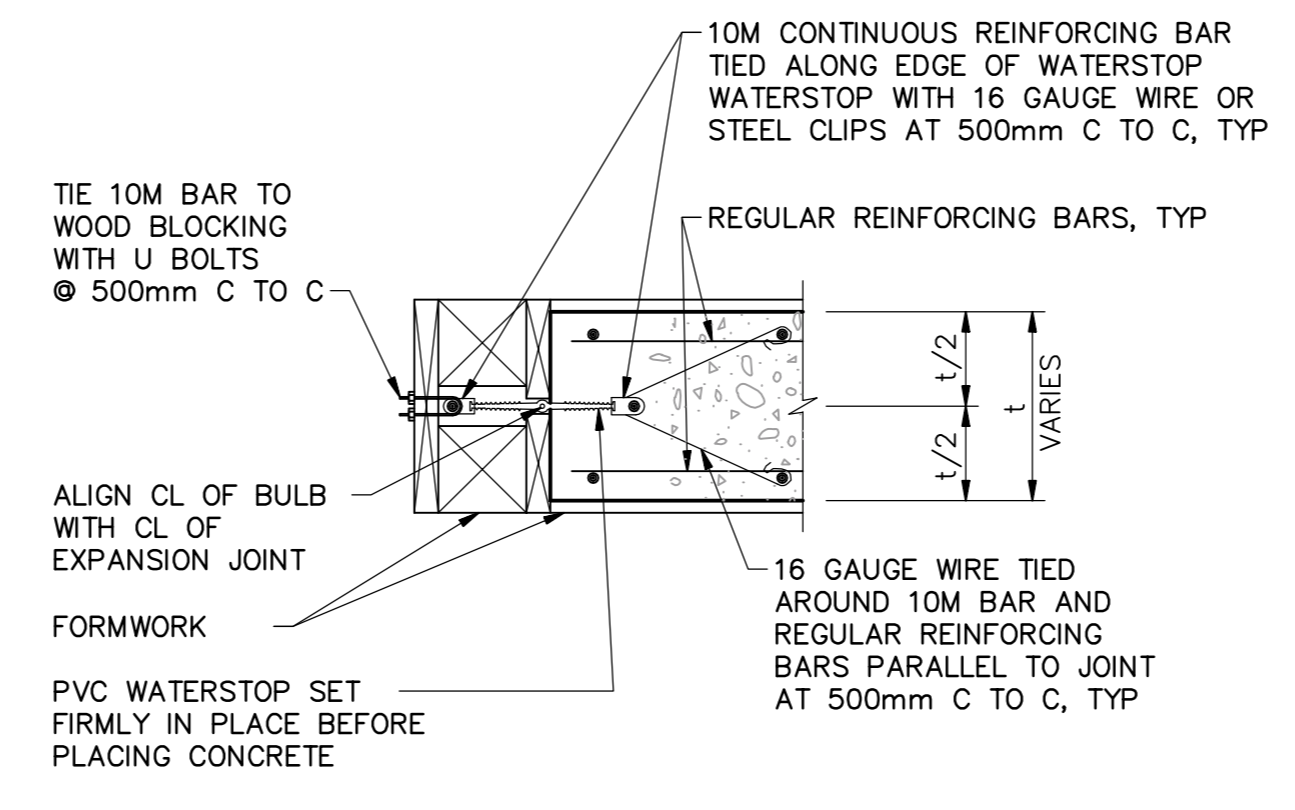
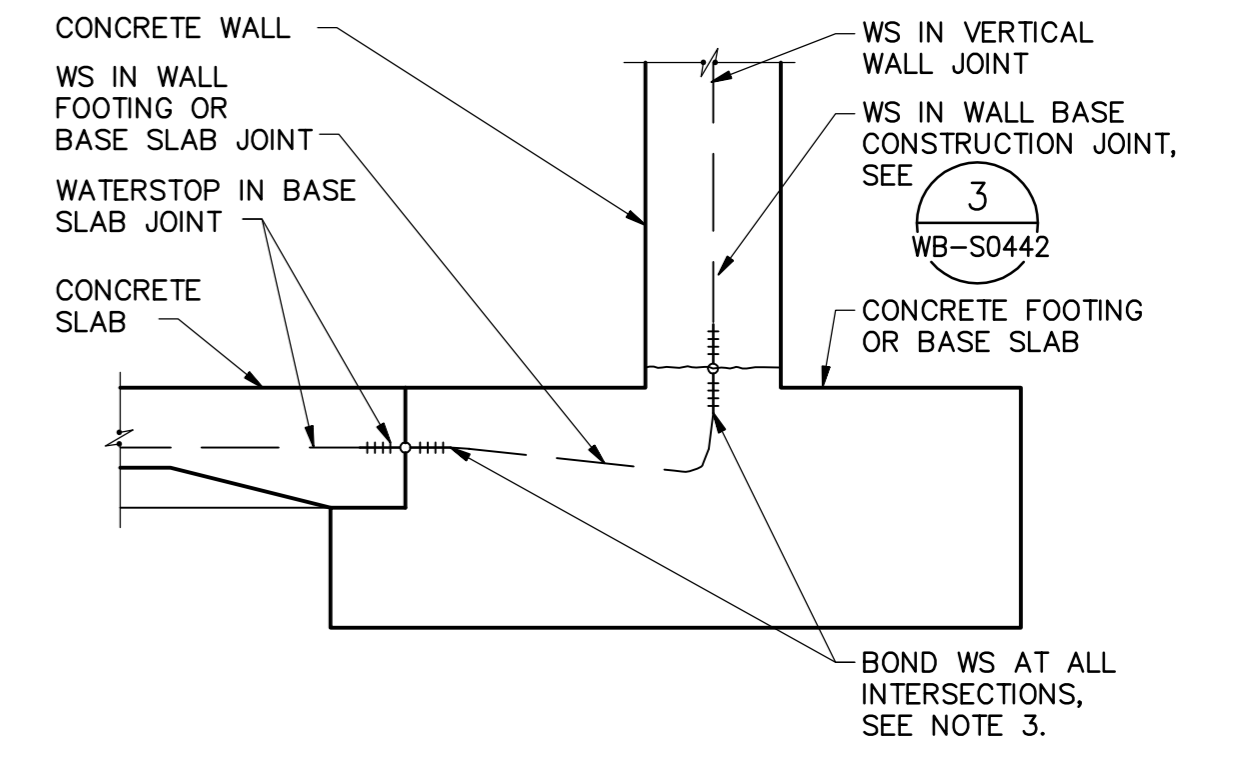


1 WATERSTOP ANCHORAGE WITH REINFORCING IN BOTH FACES
- N.T.S.

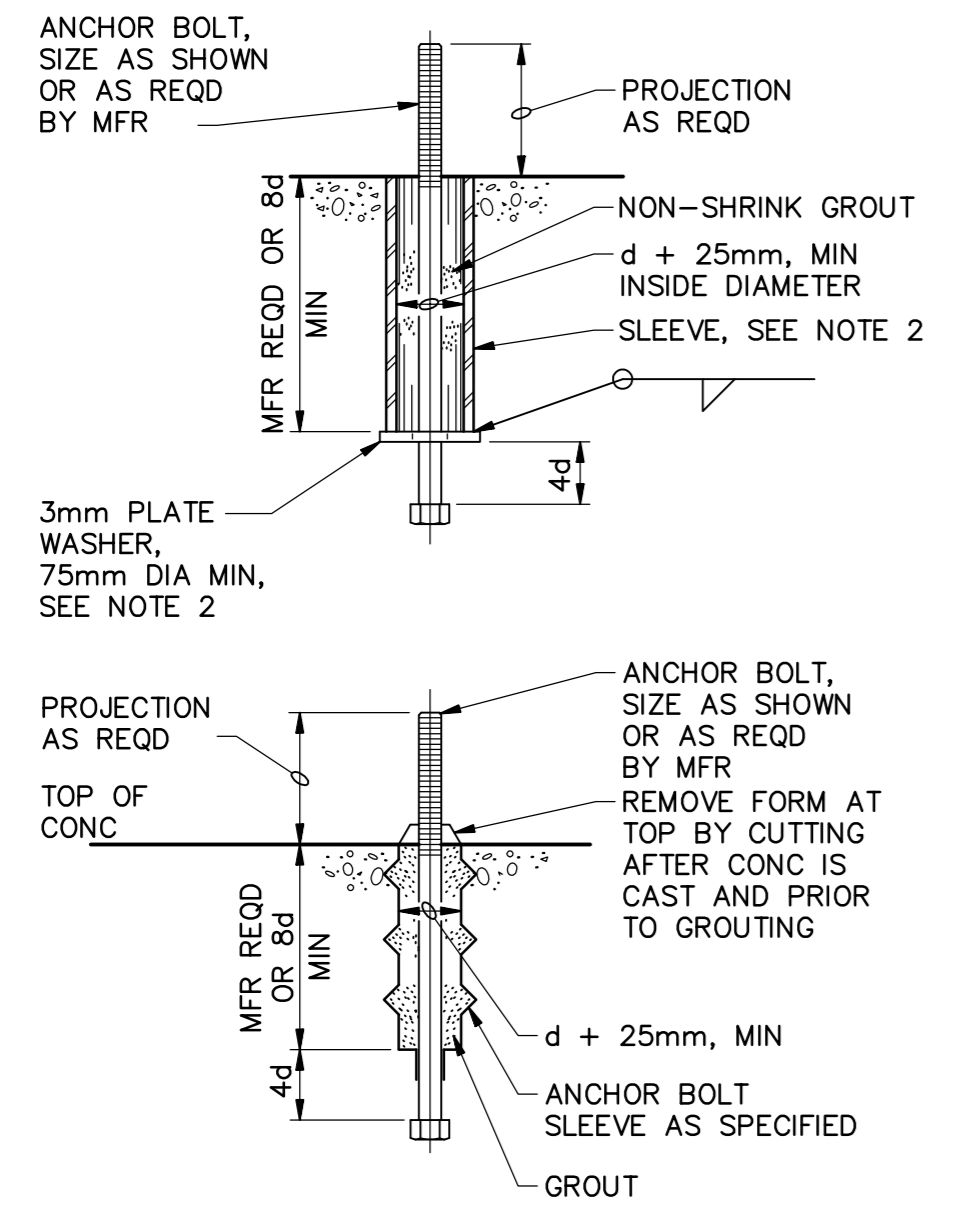


2 WATERSTOP ANCHORAGE FOR FIRST PLACEMENT
- N.T.S.



- NOTES:
- SUBMIT DETAILS OF SPLICING AND LOCATION.
 - BOND OR SPLICE ALL HORIZONTAL TRANSVERSE WATERSTOPS IN BASE SLAB JOINTS TO CONTINUOUS LONGITUDINAL WATERSTOP IN WALL BASE FOR COMPLETE SEAL.
 - BOND OR SPLICE ALL VERTICAL WATERSTOPS IN WALL JOINTS TO LONGITUDINAL WATERSTOP IN WALL BASE FOR COMPLETE SEAL.
 - FOR PLASTIC WATERSTOP DETAILS, SEE 1

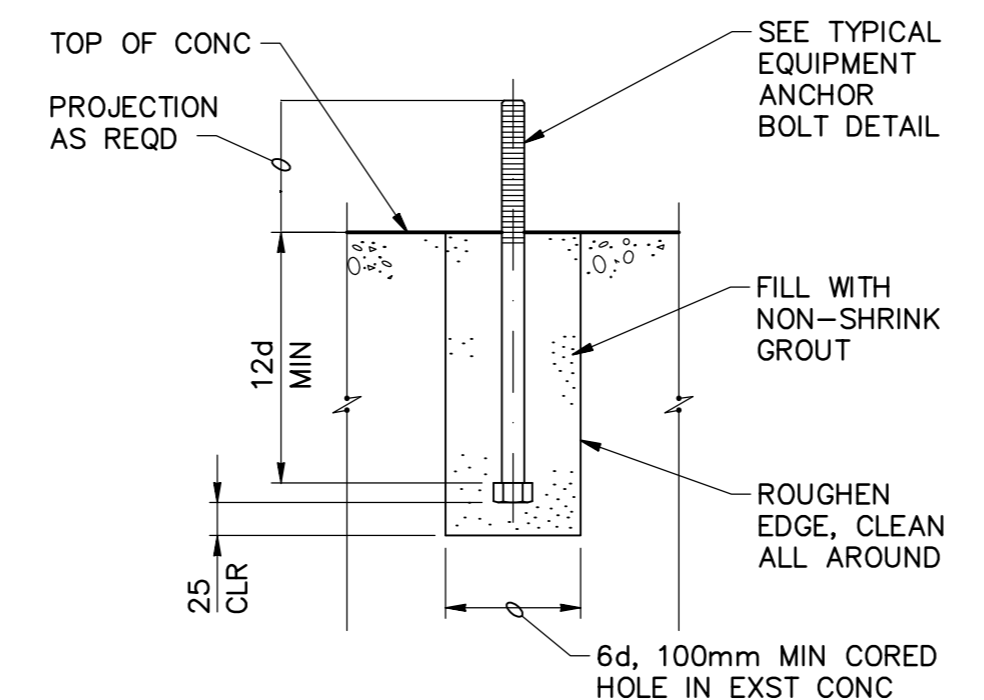
3 WATERSTOP CONNECTION
- N.T.S.



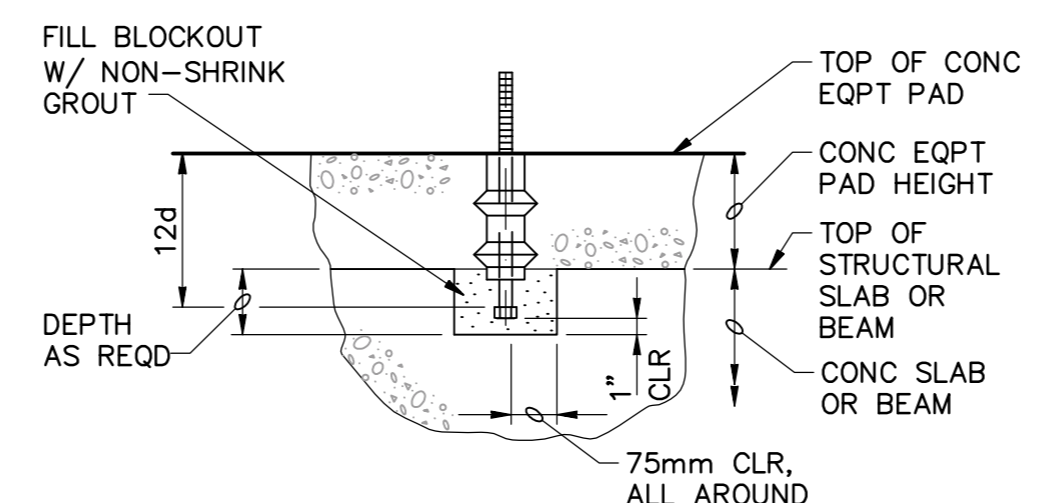
MACHINERY ANCHOR BOLT

- NOTES:
- FOR CONCRETE EQUIPMENT PAD DETAILS, STEEL COLUMN BASE AND NOTES NOT SHOWN SEE 1 AND 3
 - MATERIAL TO MATCH BOLT.

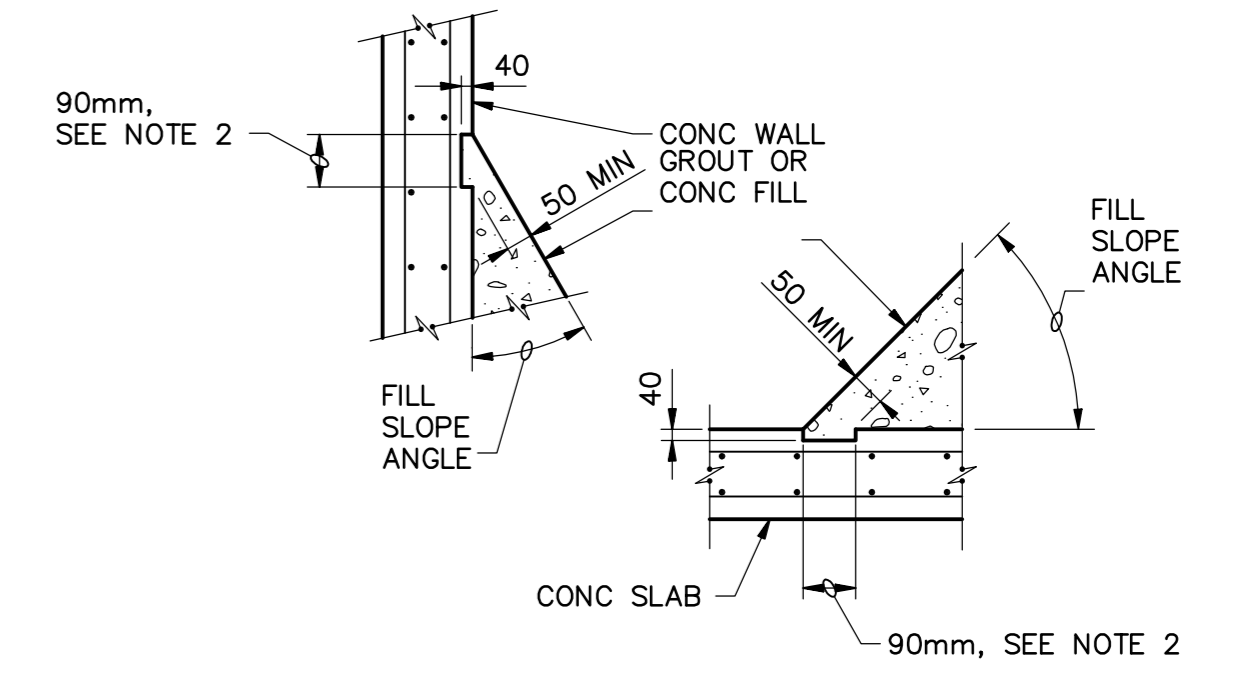
4 ANCHOR BOLT DETAILS
- N.T.S.



ANCHOR BOLT RETROFIT



ELEVATION ANCHOR BOLT BLOCKOUT



- NOTES:
- PROVIDE KEY FOR ALL FILL WHERE FILL SLOPE ANGLE TO WALL OR SLAB IS LESS THAN 45 DEGREES.
 - LENGTHEN 90mm BLOCKOUT AS REQUIRED TO MAINTAIN 50mm MINIMUM THICKNESS OF GROUT OR CONCRETE FILL.

5 CONCRETE OR GROUT FILL KEY
- N.T.S.

APEGM
Certificate of Authorization
CH2M Hill Canada Limited (ON)
No. 1441 Expiry: April 30, 2006

| | | | |
|-------------|------------|-------------------------------|---------------|
| B.M. ELEV. | | | |
| DESIGNED BY | DK | CHECKED BY | AP |
| DRAWN BY | EK | APPROVED BY | DJT |
| SCALE: | NTS | RELEASED FOR CONSTRUCTION BY: | R. SOROKOWSKI |
| DATE | 2005/10/24 | DATE | 2005/11/07 |
| NO. | 00 | ISSUED FOR TENDER | 05/11/03 DK |
| NO. | | REVISIONS | DATE BY |

CH2MHILL
Frederickson Cooper
ARCHITECTS

EarthTech
A Tyco International Ltd. Company

ENGINEER'S SEAL
ORIGINAL SIGNED BY
D. KRUGER
2005/11/03

CONSULTANT DRAWING NO.
WB-S0444

THE CITY OF WINNIPEG
WATER AND WASTE DEPARTMENT
ENGINEERING DIVISION

Winnipeg

WATER TREATMENT PLANT

FOUNDATIONS AND CONCRETE STRUCTURES 1

STRUCTURAL
STANDARD DETAILS

CITY FILE NUMBER
SHEET OF
CITY DRAWING NUMBER
1-060B-D-60444-001-00D