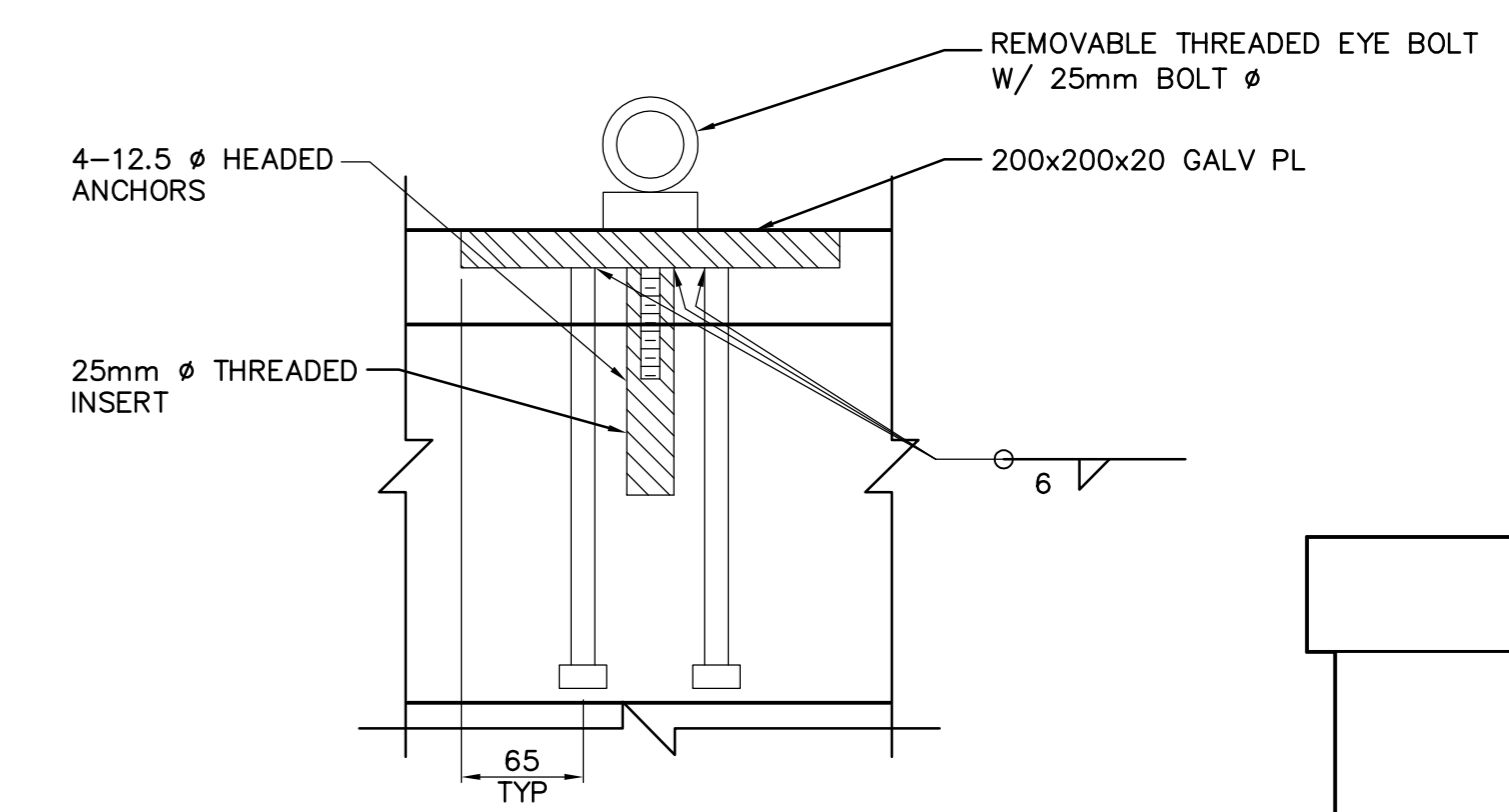
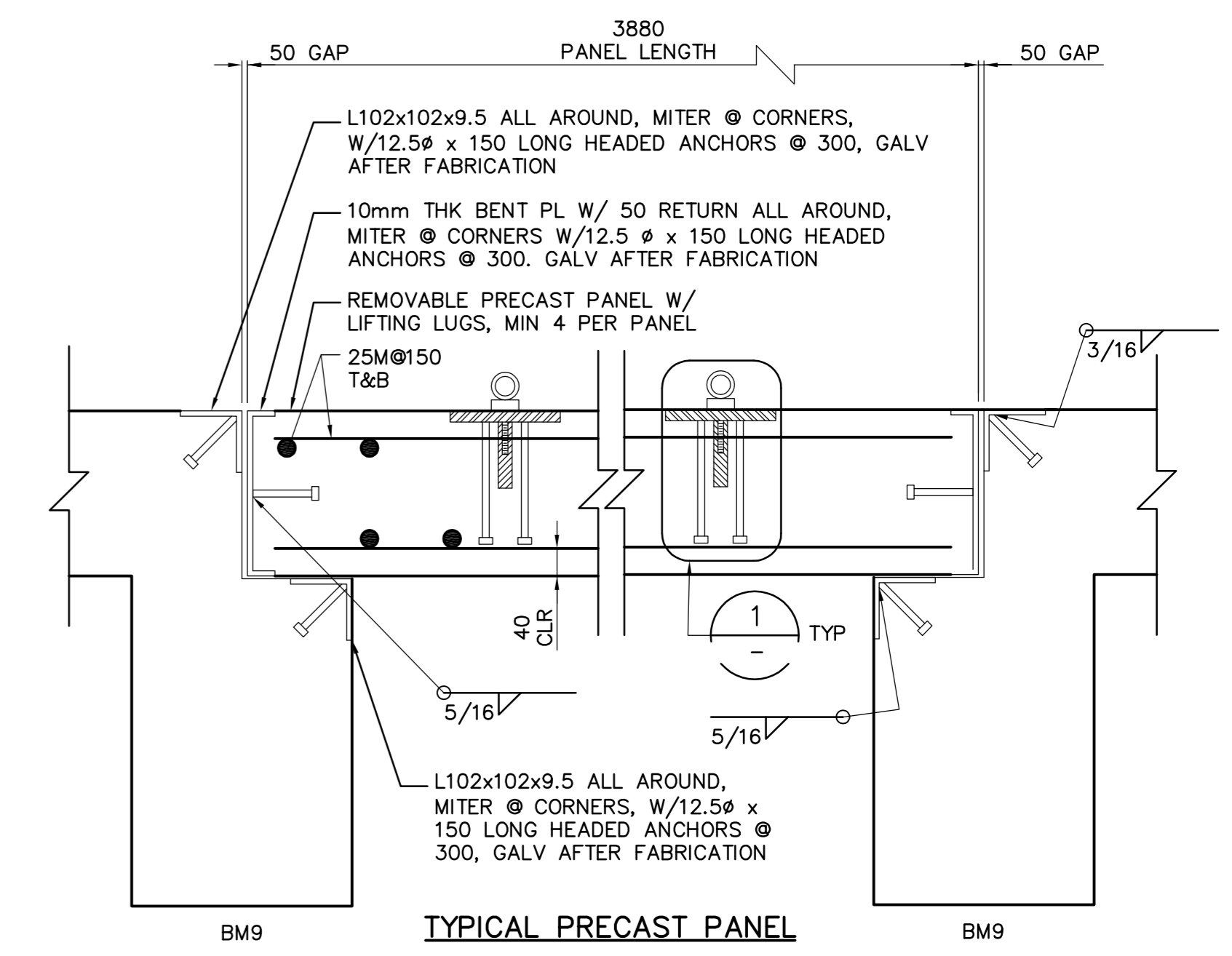
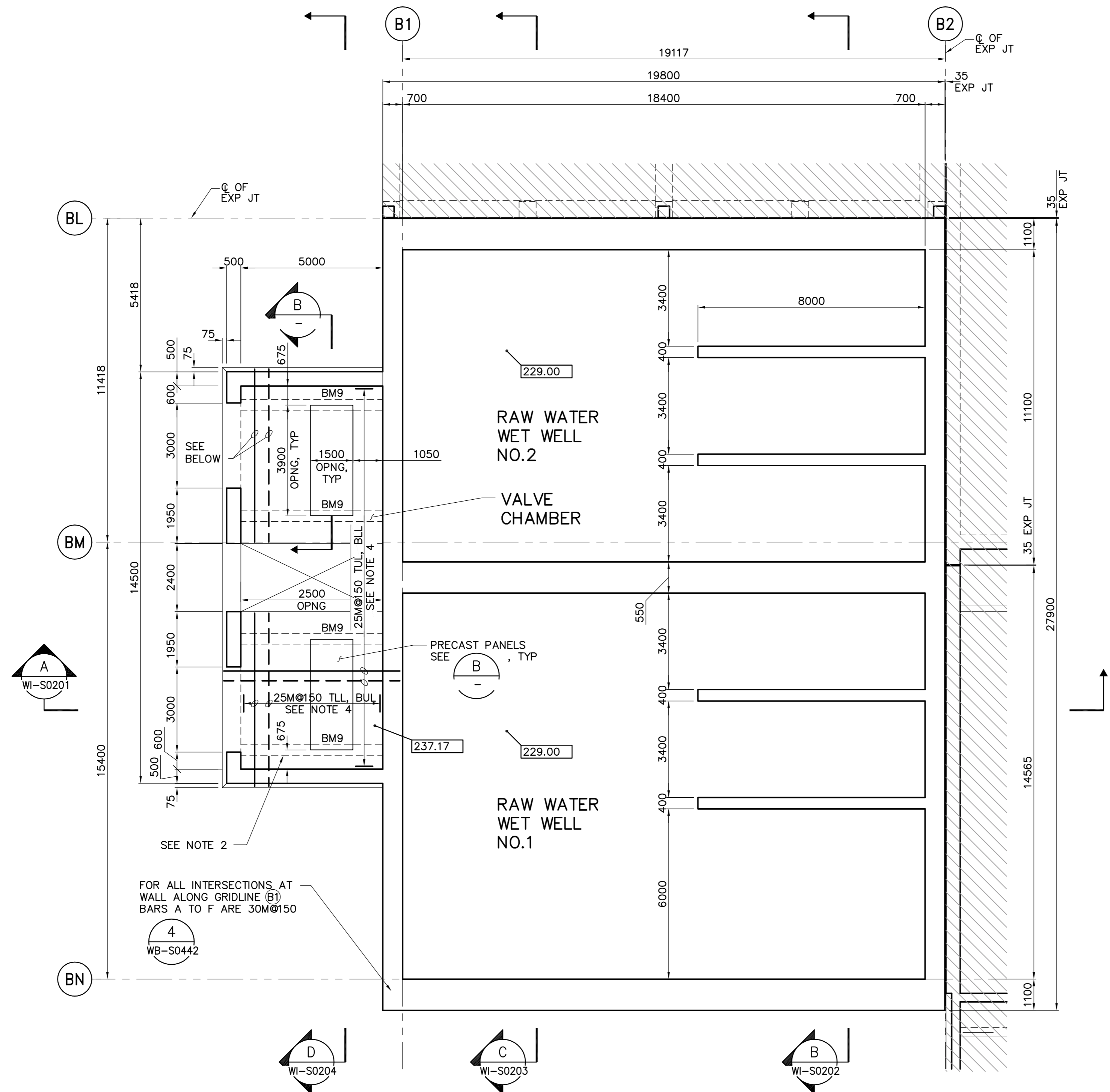
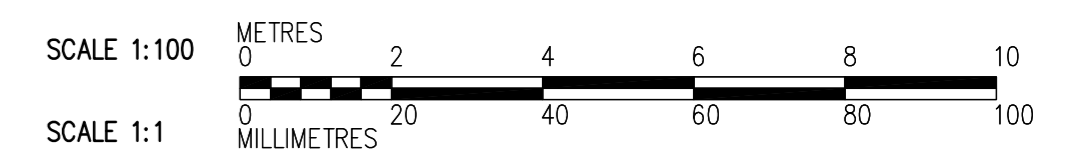
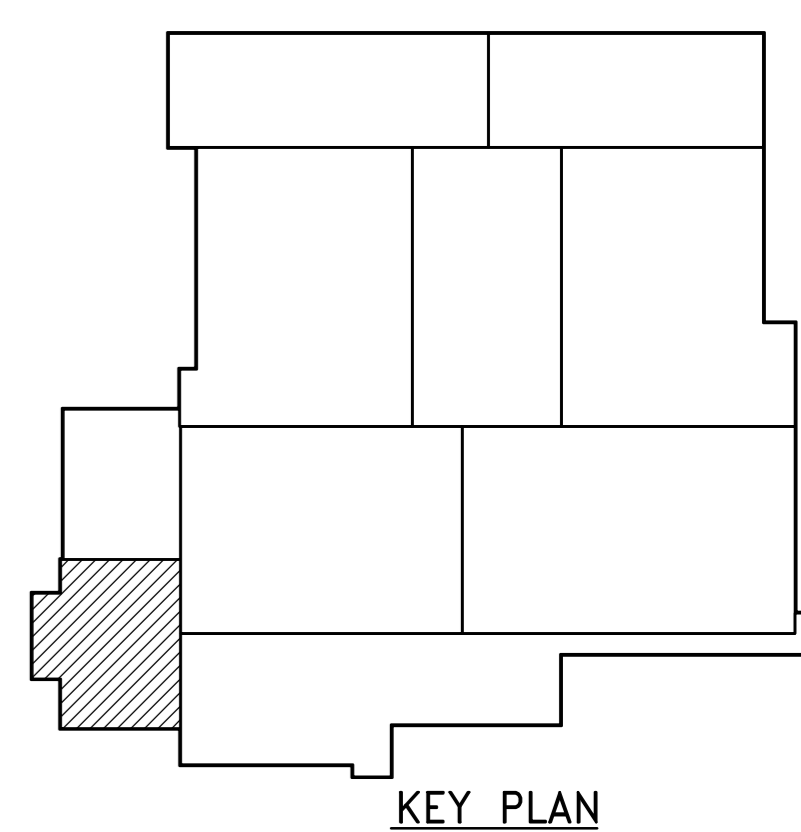


- NOTES:**
- FOR CORNER REINF SEE 4 WB-S0442
  - DESIGN LIVE LOAD IS 14.4 kPa
  - FOR BEAM SCHEDULE SEE DWG WI-S0515.
  - DISCONTINUE REBAR AT PRECAST PANEL OPENINGS, SEE 2 WB-S0441



**NOTE:**  
AFTER PANEL INSTALLATION, EYE BOLTS SHALL BE REMOVED AND REPLACED W/ A PLASTIC PLUG. REMOVED BOLTS SHALL BE GIVEN TO OWNER.



**APEGM**  
Certificate of Authorization  
CH2M Hill Canada Limited (ON)  
No. 1441 Expiry: April 30, 2006

B.M. ELEV.			
NO.	ISSUED FOR TENDER	05/10/28	EL
	REVISIONS	DATE	BY

DESIGNED BY	EL	CHECKED BY	AP
DRAWN BY	RL	APPROVED BY	DJT
SCALE:	1:100	RELEASED FOR CONSTRUCTION BY:	R. SOROKOWSKI
DATE	2005/07/06	DATE	2005/10/28

ENGINEER'S SEAL  
ORIGINAL SIGNED BY  
D. KRUGER  
2005/10/28  
CONSULTANT DRAWING NO.  
WI-S0111

**THE CITY OF WINNIPEG**  
WATER AND WASTE DEPARTMENT  
ENGINEERING DIVISION

WATER TREATMENT PLANT  
FOUNDATIONS AND CONCRETE STRUCTURES 1

STRUCTURAL  
RAW WATER PUMP STATION AREA  
FIRST FLOOR PLAN

CITY FILE NUMBER  
SHEET OF  
CITY DRAWING NUMBER  
1-0601-A-S011-001-00D