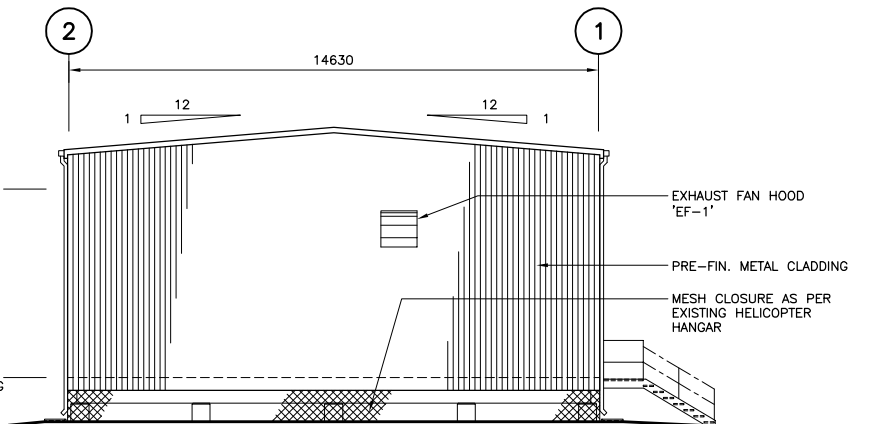
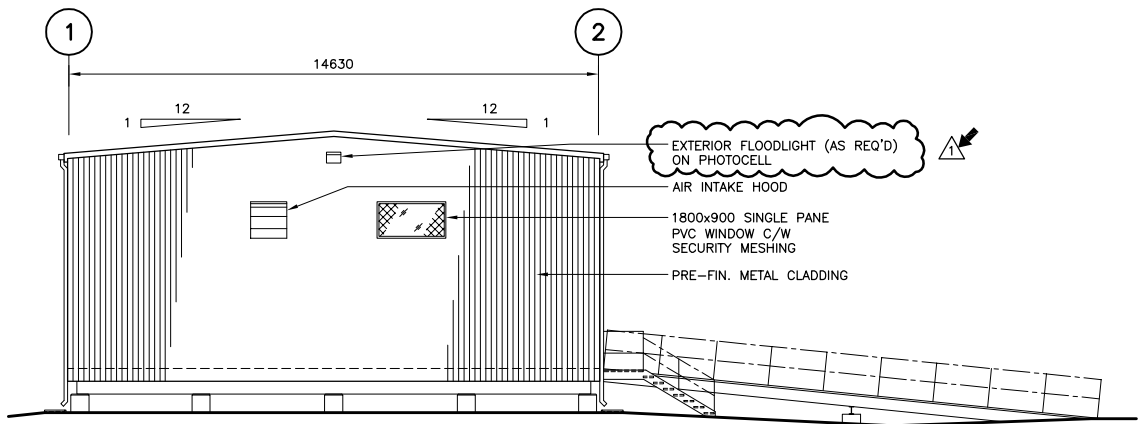


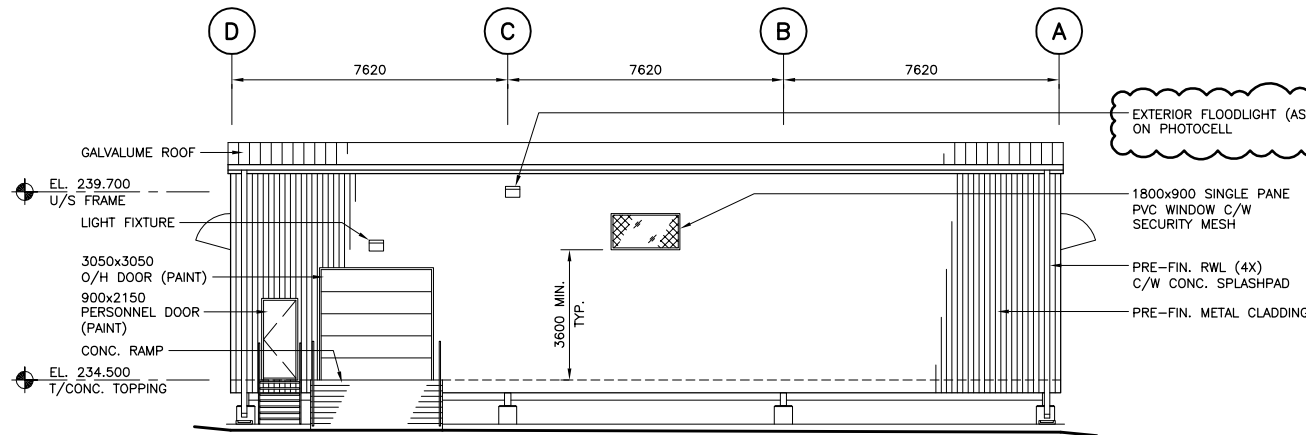
KGS No. P:\PROJECTS\2005\05-0107-12\CML\DWG\05-0107-12-A-01-r1.dwg



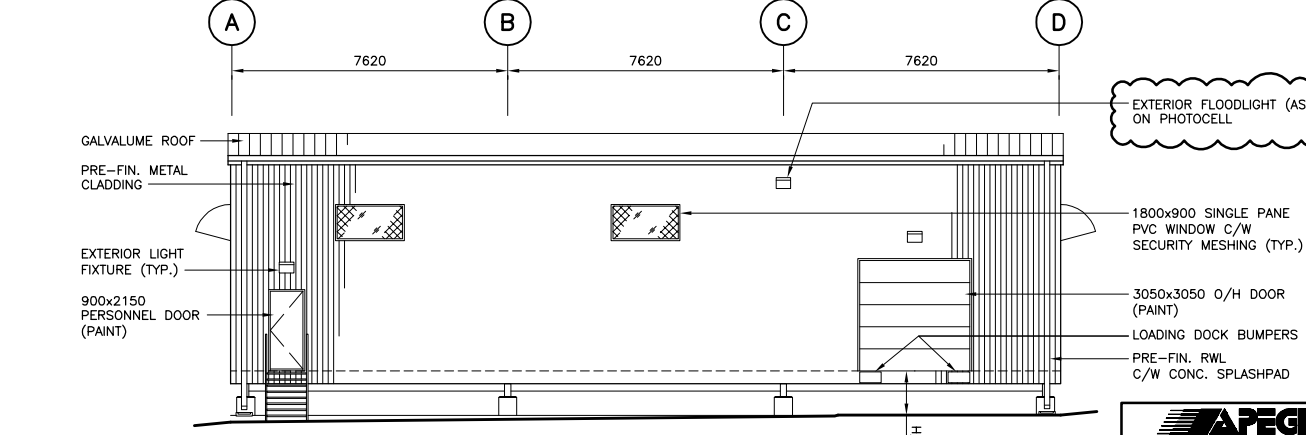
NORTH ELEVATION
SCALE: 1:100



SOUTH ELEVATION
SCALE: 1:100

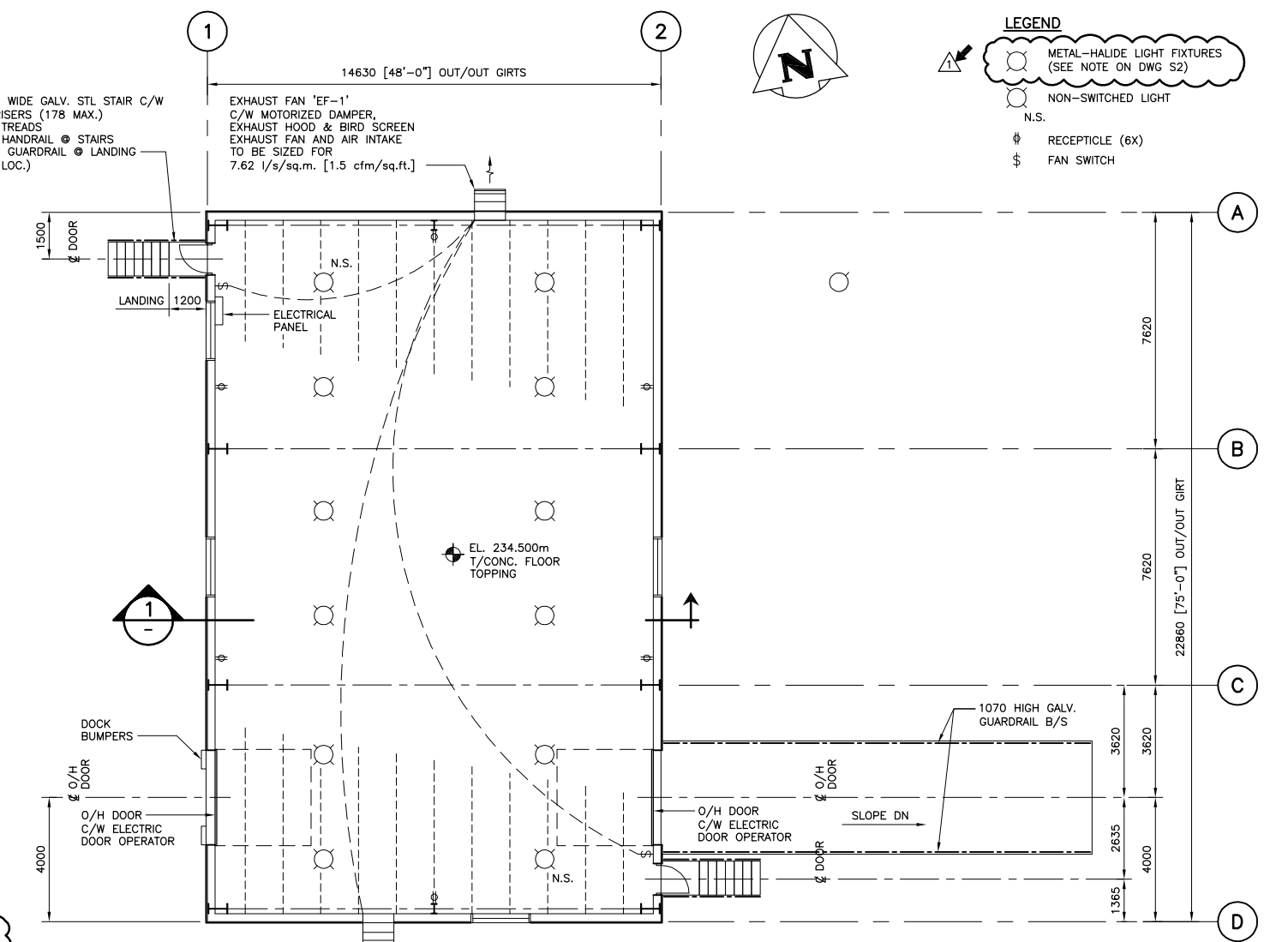


EAST ELEVATION
SCALE: 1:100

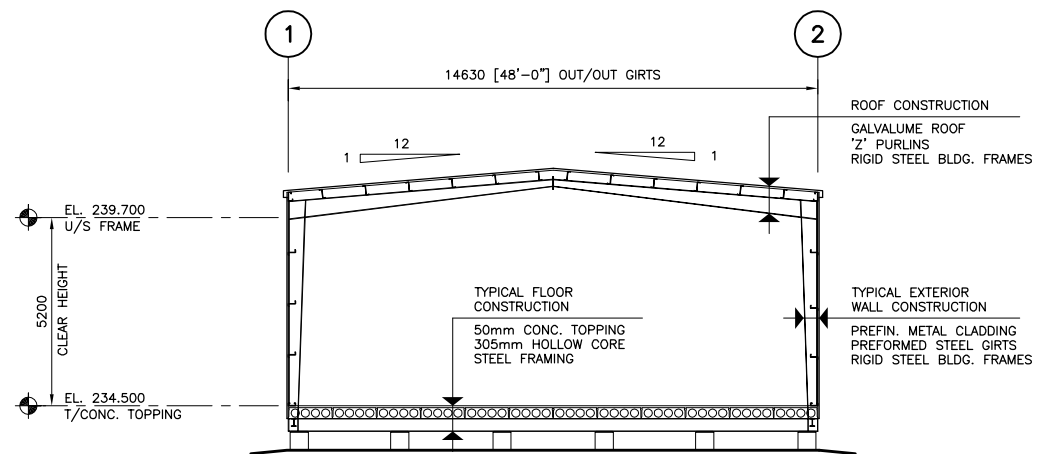


WEST ELEVATION
SCALE: 1:100

1100mm WIDE GALV. STL STAIR C/W EQUAL RISERS (178 MAX.)
280mm TREADS
900mm HANDRAIL @ STAIRS
1070mm GUARDRAIL @ LANDING (TYP. 2 LOC.)



FLOOR PLAN
SCALE: 1:100



BUILDING SECTION
SCALE: 1:100

LEGEND

- METAL-HALIDE LIGHT FIXTURES (SEE NOTE ON DWG S2)
- NON-SWITCHED LIGHT
- N.S.
- RECEPTACLE (6X)
- FAN SWITCH

APEGM
Certificate of Authorization
KGS Group
No. 245 Expiry: April 30, 2004

NO.	REVISIONS	DATE	BY
1	REVISED AS PER ADDENDUM #1	DEC. 1/05	R.J.L.
0	ISSUED FOR TENDER	OCT. 14/05	R.J.L.

KGS GROUP CONSULTING ENGINEERS & PROJECT MANAGERS
WINNIPEG THUNDER BAY

DESIGNED BY: R.J.L. CHECKED BY:
DRAWN BY: SNH. APPROVED BY:
HOR. SCALE: VERTICAL AS NOTED
RELEASED FOR CONSTRUCTION: SEPT. 2005

PROVINCE OF MANITOBA
REGISTERED PROFESSIONAL ENGINEER
R.J. LONG

CONSULTANT DRAWING NO.
05-0107-12-A1

THE CITY OF WINNIPEG
PLANNING PROPERTY AND DEVELOPMENT
Winnipeg SERVICES DEPARTMENT

CHEMICAL STORAGE WAREHOUSE
FLOOR PLAN, ELEVATIONS AND BUILDING SECTION

SHEET **3** OF **5**
CAD FILE DRAWING NUMBER: 05-107-12-A-01-r1.dwg
PROJECT NUMBER: **2005-056**