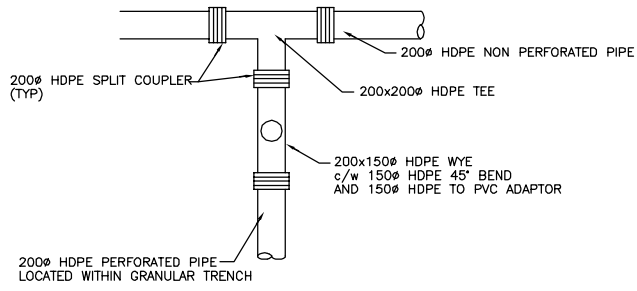
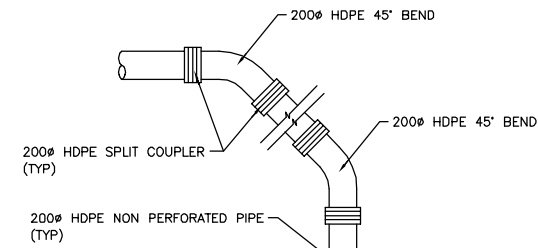


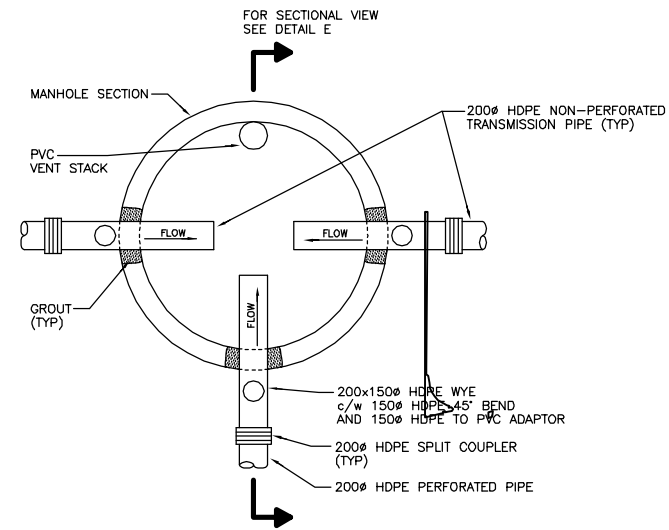
DETAIL A



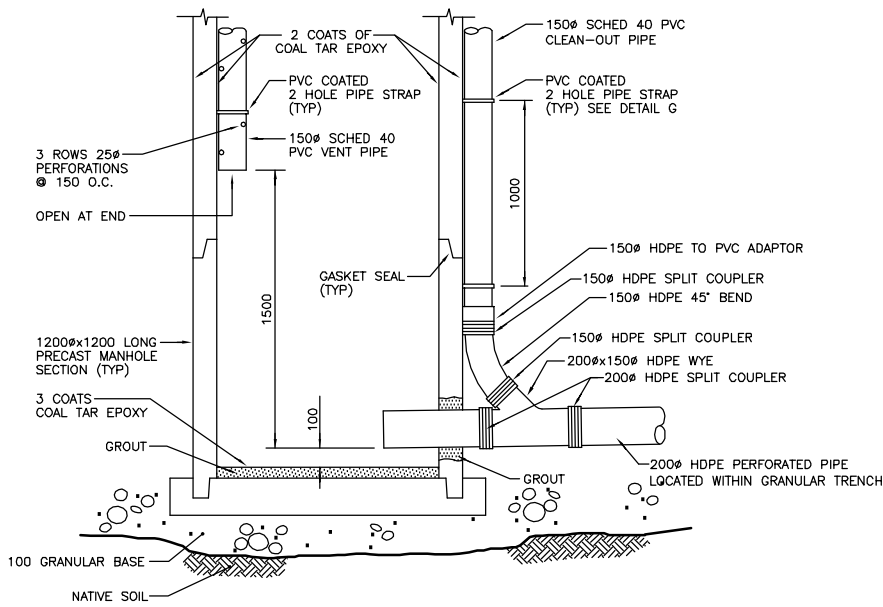
DETAIL B



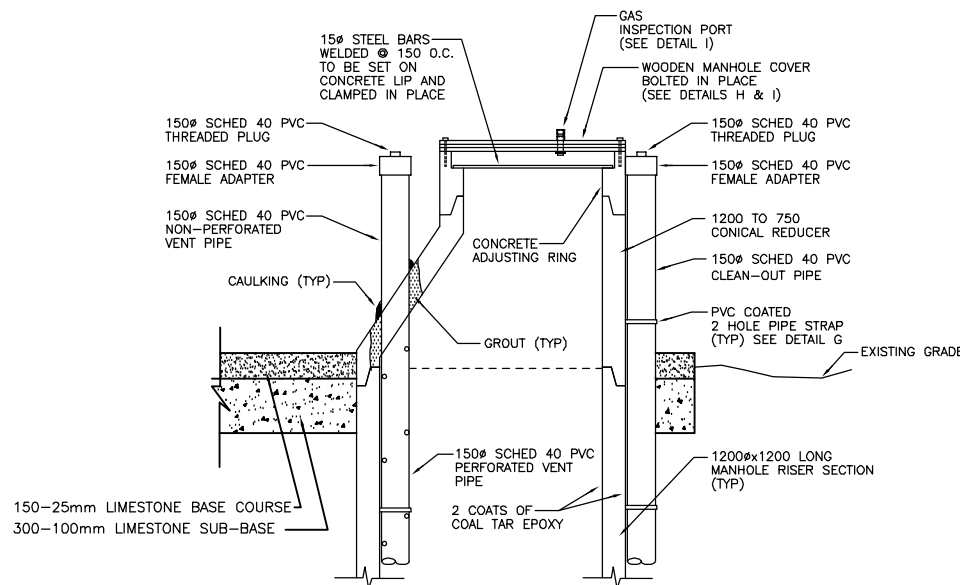
DETAIL C



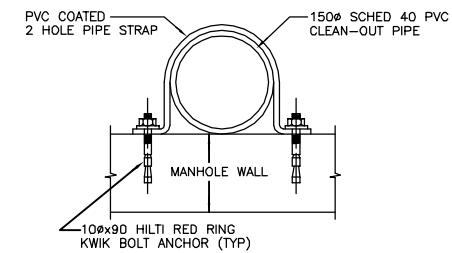
DETAIL D



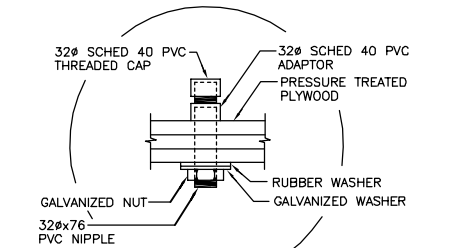
DETAIL E



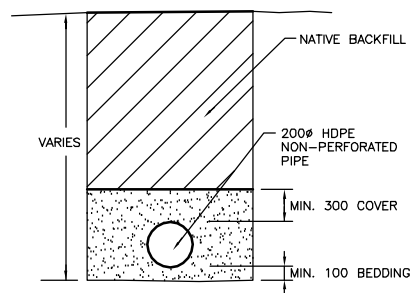
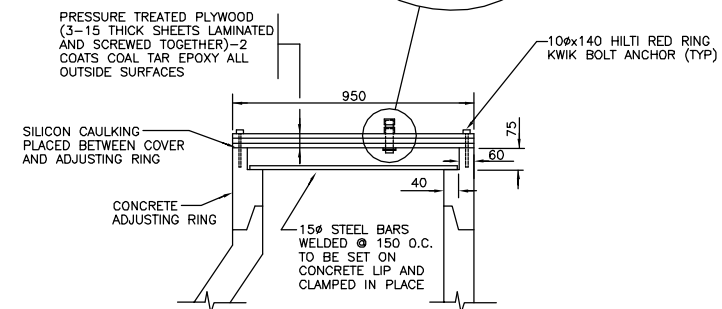
DETAIL F



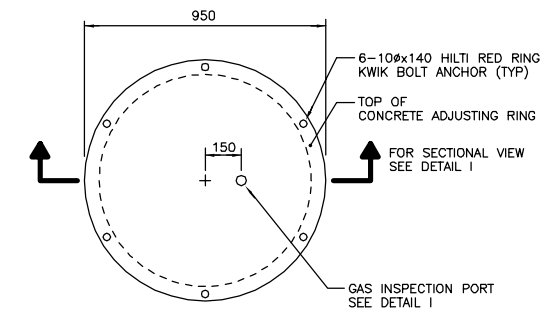
DETAIL G



DETAIL I



SECTION B-B



DETAIL H

NOTE: HDPE REFERS TO BOSS 2000 SMOOTHWALL HIGH DENSITY POLYETHYLENE PIPE

METRIC
WHOLE NUMBERS INDICATE MILLIMETRES
DECIMALIZED NUMBERS INDICATE METRES

B.M. ELEV. _	-	-
DESIGNED BY	CT/GZ	CHECKED BY CT
DRAWN BY	MTS	APPROVED BY RDL
HOR. SCALE:	N.T.S.	RELEASED FOR CONSTRUCTION
VERTICAL:		
NO. REVISIONS	DATE	BY
	DATE 1996 02 15	DATE 1996 02 16

CITY OF WINNIPEG
WATER AND WASTE DEPARTMENT
ENGINEERING DIVISION

ENGINEER'S SEAL

PD 96-017
PLOT DATE: 96-02-16
AUTOCAD: T:\SLDWASTE\SUMMIT\SWD-260

THE CITY OF WINNIPEG
WORKS AND OPERATIONS DIVISION
WATER AND WASTE DEPARTMENT

SUMMIT ROAD LANDFILL
PERIMETER LEACHATE COLLECTION SYSTEM

LEACHATE COLLECTION SYSTEM
DETAILS

SHEET 2 OF 2
CITY DRAWING NUMBER
SWD-D-260