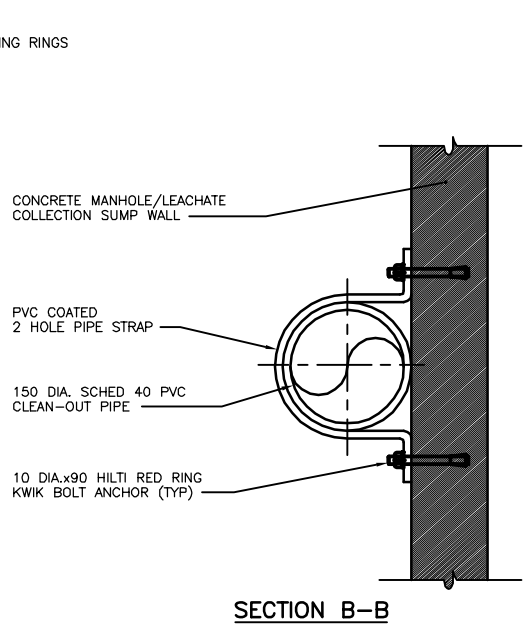


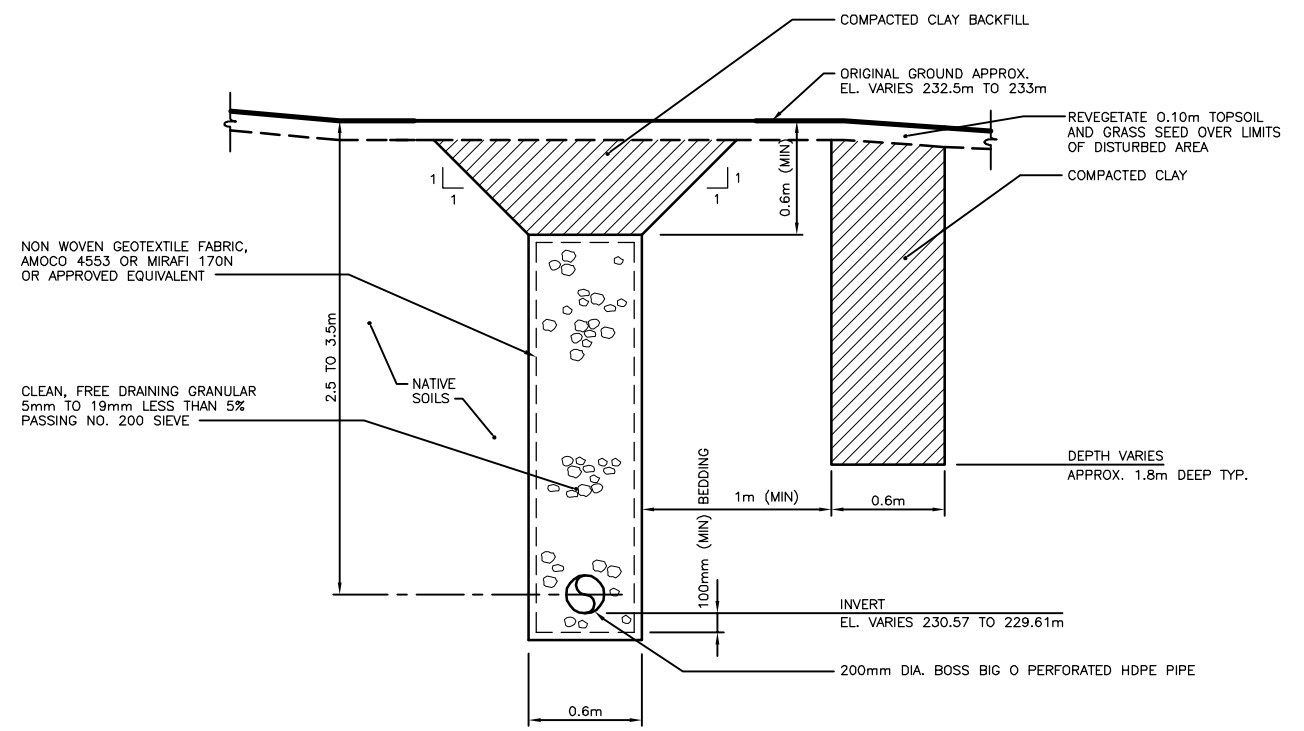
SECTION - MANHOLE/LEACHATE COLLECTION SUMP
 SCALE: 1:20 24"x36"
 1:40 11"x17"



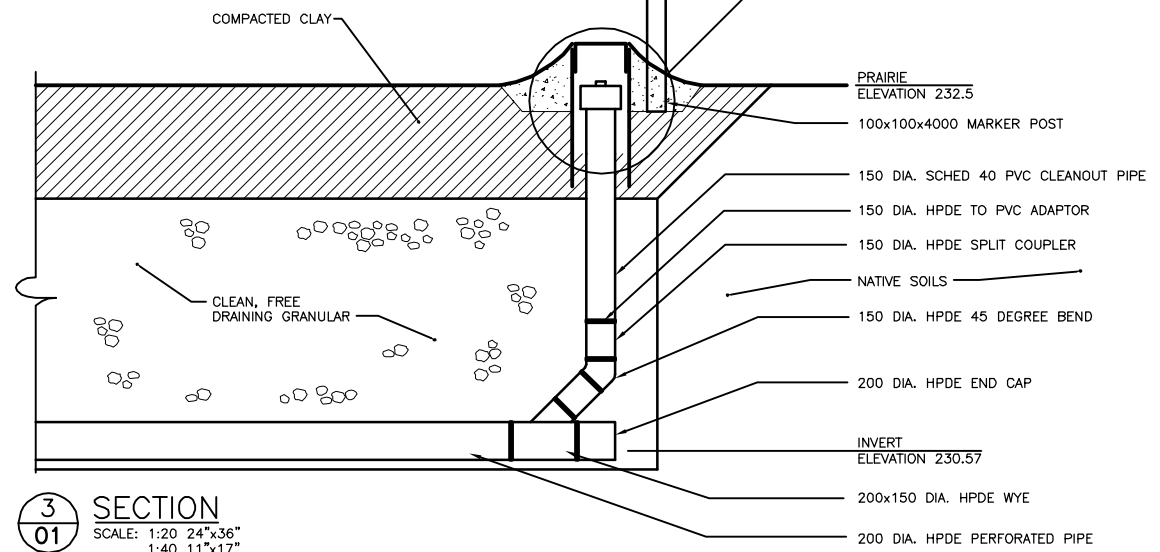
METRIC
 WHOLE NUMBERS INDICATE MILLIMETRES
 DECIMALIZED NUMBERS INDICATE METRES



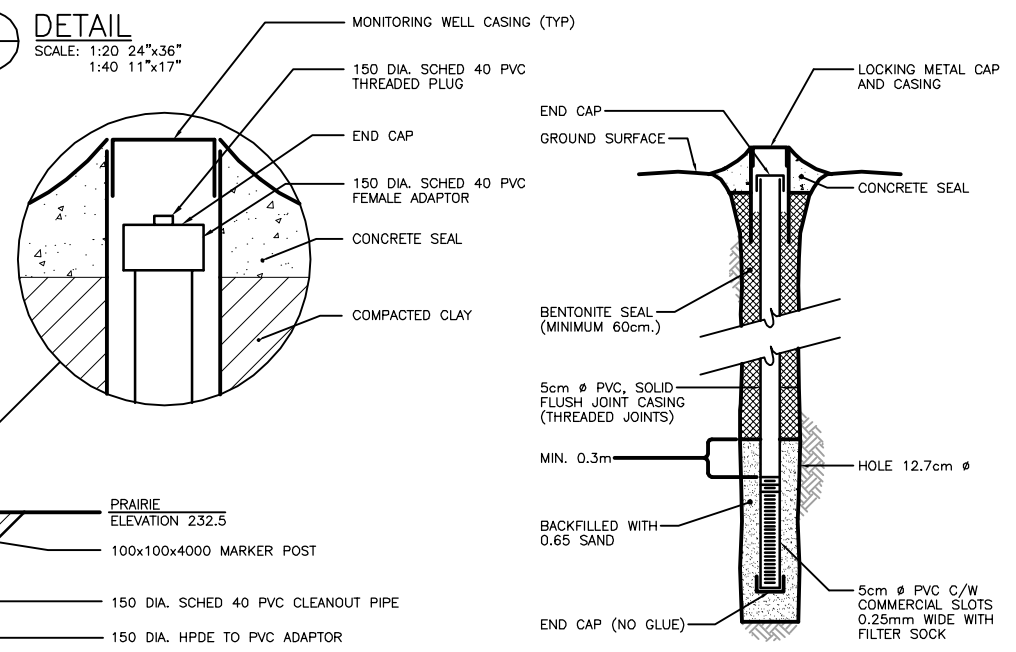
SECTION B-B



DETAIL 01
 SCALE: 1:20 24"x36"
 1:40 11"x17"



SECTION 01
 SCALE: 1:20 24"x36"
 1:40 11"x17"



MONITORING WELL DETAIL
 (Not to Scale)

- NOTES:
1. START NEW DRAWING, USING WELLDDETAIL.DWG AS A PROTOTYPE.
 2. INSERT APPROPRIATE LOGO AND MODIFY TITLE BLOCK AS REQUIRED.
 3. MODIFY DRAWING IF NECESSARY.

LOCATIONS APPROVED UNDERGROUND STRUCTURES			
SUPV U/O STRUCTURES COMMITTEE	DATE	B.M. ELEV.	

NO.	REVISIONS	DATE	BY
D	REVISED LEACHATE COLLECTION MH	02/10/98	DB/WKT
C	AS-BUILT REVISION	12/12/97	CWC
B	SECTION 2; DETAIL 1	12/12/97	JBS
A	ISSUED FOR BIDDING	05/12/97	JBS

KGS CONSULTING ENGINEERS & PROJECT MANAGERS GROUP			
DESIGNED BY	CHECKED BY	DATE	
B.W.	J.B.S.		
DRAWN BY	APPROVED BY	DATE	
A.M.			
HOR. SCALE	VERTICAL	DATE	
AS NOTED			

ENGINEER'S SEAL
 PROVINCE OF MANITOBA

 CONSULTANT DRAWING NO. 97-107-20-02

THE CITY OF WINNIPEG
 WATER AND WASTE DEPARTMENT
 SOLID WASTE DIVISION
 SASKATCHEWAN AVENUE LANDFILL
 LEACHATE COLLECTION SYSTEM DETAILS

CITY DRAWING NUMBER: SWD-D-337
 SHEET 2 OF 2
 C

KGS FILE NO.: 97-107-20-04.DWG
 24"x36"/PLOT SCALE: 20