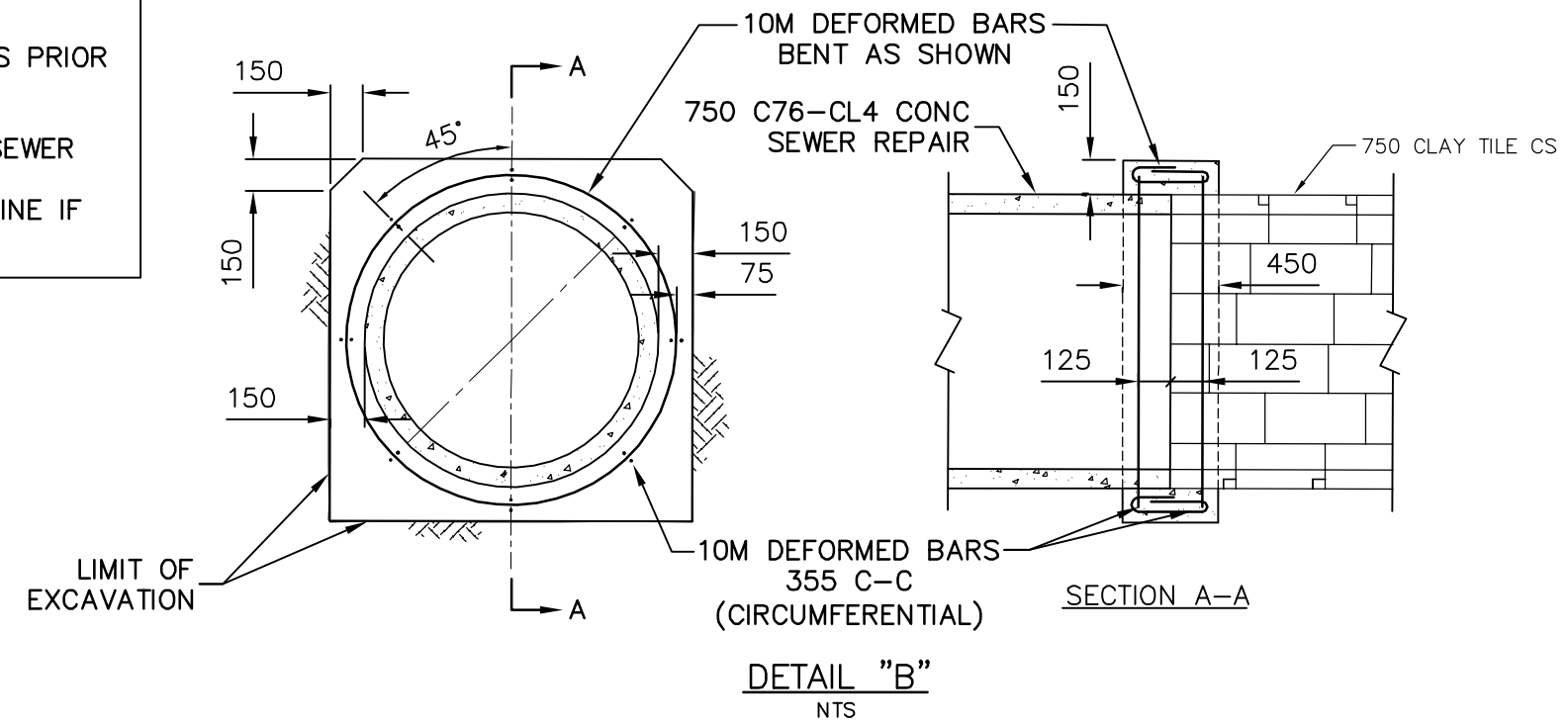
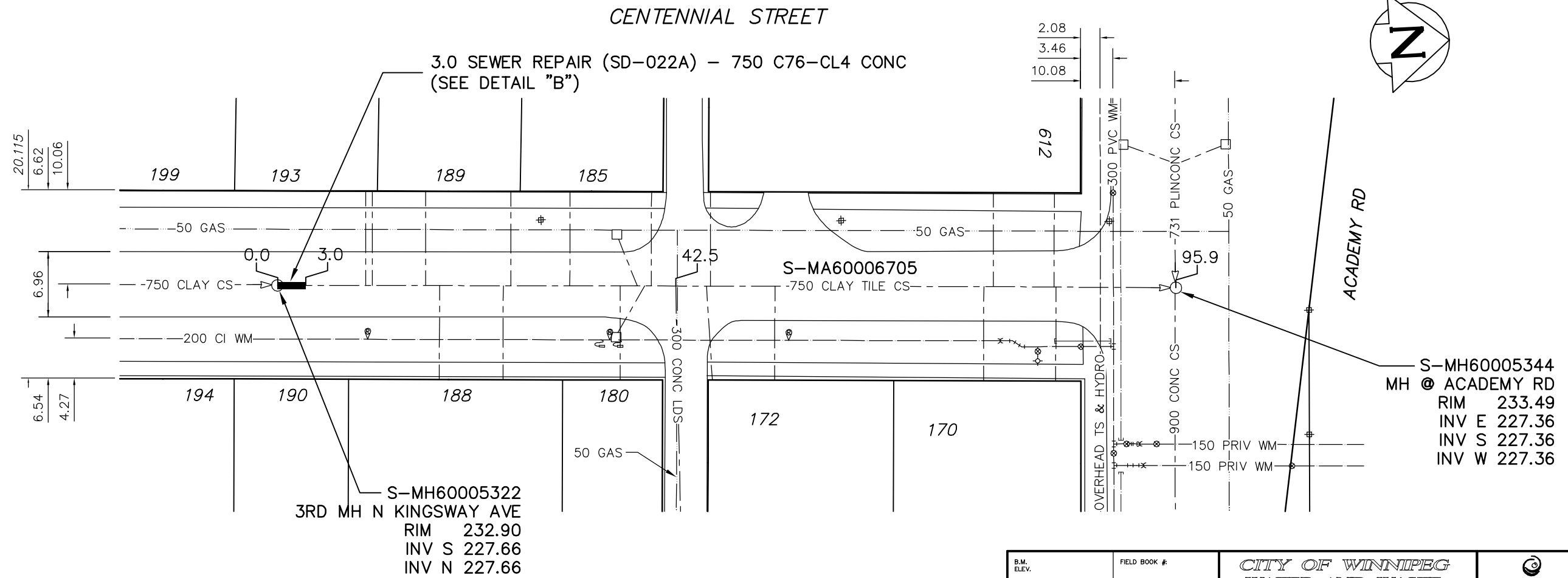


NOTES:  
 1. CONTRACTOR TO VERIFY LIMITS OF SEWER REPAIRS PRIOR TO EXCAVATION BY MEANS OF VIDEO INSPECTION.  
 2. CONTRACTOR TO PROVIDE VIDEO INSPECTION OF SEWER SERVICES WITHIN LIMITS OF REPAIR OR RENEWAL IN PRESENCE OF CONTRACT ADMINISTRATOR TO DETERMINE IF SERVICE RENEWAL IS REQUIRED.



SEWER JUNCTION INFORMATION FROM VIDEO INSPECTION					
DISTANCE FROM 1st MH (S-MH60005322) S OF ACADEMY ROAD					
9.40	N	300	WEST	193	CENTENNIAL ST
10.10	N	150	WEST	-	
15.80	N	150	WEST	-	
17.30	N	150	EAST	-	
24.10	N	150	EAST	-	
24.90	N	150	WEST	193	CENTENNIAL ST
31.20	N	150	WEST	-	
36.60	N	150	EAST	-	
38.40	N	150	WEST	-	
39.20	N	150	EAST	-	
39.90	N	150	WEST	193	CENTENNIAL ST
42.50	N	150	EAST	-	
45.80	N	150	EAST	-	
46.20	N	150	WEST	-	
53.10	N	150	EAST	-	
75.40	N	150	EAST	-	
76.40	N	250	WEST	-	
82.90	N	150	WEST	-	
83.10	N	150	EAST	-	



ENGINEER'S SEAL  
 ORIGINAL SIGNED BY K.R. ZUREK  
 05/12/07  
 BID OPPORTUNITY No: 683-2005  
 FILENAME : Centennial\_EPR's.dwg  
 PLOT DATE : 2005 12 08

LEGEND:  
 52.0 | MEASUREMENT TO REPAIR FROM REFERENCE MH SHOWN THUS...  
 0.0

METRIC  
 WHOLE NUMBERS INDICATE MILLIMETRES  
 DECIMALIZED NUMBERS INDICATE METRES

B.M. ELEV.	FIELD BOOK #	CITY OF WINNIPEG WATER AND WASTE ENGINEERING DIVISION		<b>THE CITY OF WINNIPEG</b> WATER AND WASTE DEPARTMENT	2005 COMBINED SEWER RENEWALS AND SEWER REPAIRS CONTRACT 18 <b>CENTENNIAL STREET</b> 3RD MH N OF KINGSWAY AVENUE TO MH AT ACADEMY ROAD	SHEET 2 OF 10 CITY DRAWING NUMBER <b>05701</b>
POSTED TO LIS		DESIGNED BY NC	CHECKED BY TW/KZ			
		DRAWN BY WKT/HL/CJH	APPROVED BY KZ	RELEASED FOR CONSTRUCTION		
		HOR. SCALE 1:500		DATE 2005 12 08		
		VERTICAL		DATE		
NO.	REVISIONS	DATE	BY			