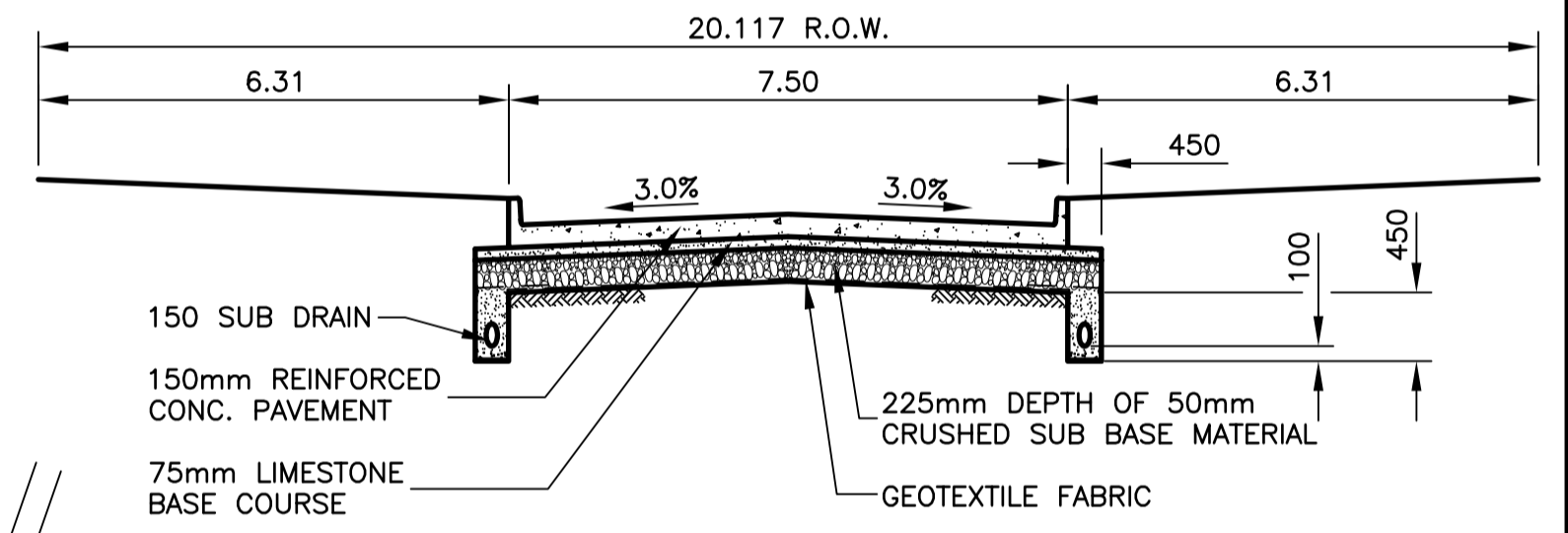
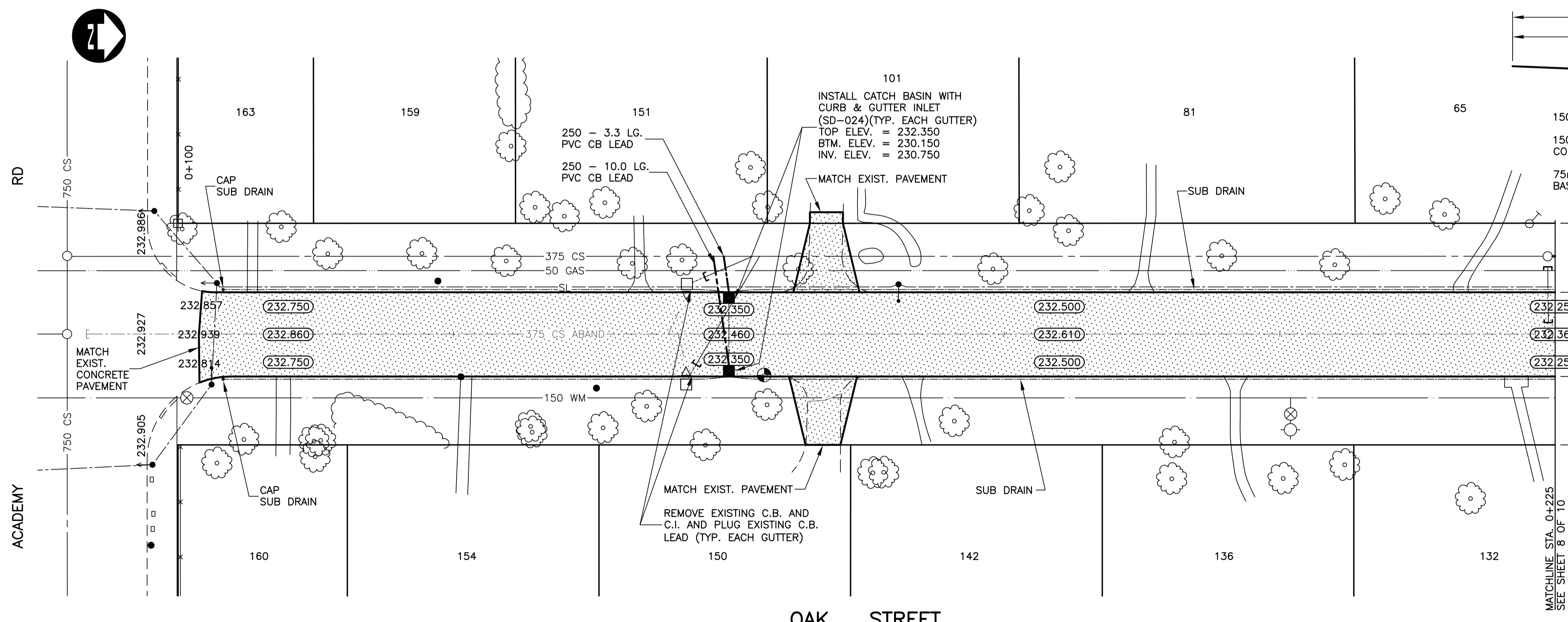


WARNING
 IF POWER EQUIPMENT OR EXPLOSIVES ARE TO BE USED FOR EXCAVATION ON THIS PROJECT THE CONTRACTOR MUST:
 1. NOTIFY THE GAS COMPANY OF THE PROPOSED LOCATION OF EXCAVATION.
 2. TAKE PRECAUTION TO AVOID DAMAGE TO GAS COMPANY INSTALLATIONS
 SEE PROVINCIAL REGULATION 210/72 FOR DETAILS



TYPICAL CROSS SECTION
 N.T.S.

- CONSTRUCTION NOTES:**
- CONTRACTOR TO EXERCISE CAUTION WHEN INSTALLING SUB DRAINS TO PREVENT CROSSING CONFLICTS WITH EXISTING GAS SERVICES.
 - CONTRACTOR SHALL TAKE PRECAUTIONARY STEPS TO AVOID DAMAGE FROM CONSTRUCTION ACTIVITIES TO EXISTING BOULEVARDS AND TREES WITHIN THE LIMITS OF CONSTRUCTION.
 - LOCATION OF EXISTING SERVICES ARE TO BE CONFIRMED IN THE FIELD BY THE CONTRACTOR.
 - TIE-INS TO BE VERIFIED IN THE FIELD BY THE CONTRACT ADMINISTRATOR.
 - SIDEWALK PLACEMENT TO BE MARKED OUT IN THE FIELD AS DIRECTED BY THE CONTRACT ADMINISTRATOR.
 - BOULEVARD REPLACEMENT TO BE FINALIZED IN THE FIELD AS DIRECTED BY THE CONTRACT ADMINISTRATOR.
 - PRIVATE APPROACHES TO BE REPLACED AS PER SD-235 WITH A MINIMUM WIDTH OF 3.0m.
 - SUB DRAINS SHALL BE INSTALLED AS PER SD-245.
 - CONTRACTOR SHALL BE RESPONSIBLE TO ENSURE RESIDENTS HAVE REMOVED ALL VEHICLES, TRAILERS ETC. FROM GARAGES/DRIVEWAYS PRIOR TO REMOVAL OF STREET IN FRONT OF RESPECTIVE PROPERTIES.

METRIC

WHOLE NUMBERS INDICATE MILLIMETRES
 DECIMALIZED NUMBERS INDICATE METRES

EXISTING	LEGEND-PLAN	PROPOSED	EXISTING	LEGEND-PLAN	PROPOSED	EXISTING	LEGEND-PROFILE	PROPOSED
150 mm W.W.M.	WATERMAIN	150 mm W.W.M.	HYDRO	150 mm W.W.M.	WATERMAIN	150 mm W.W.M.	UNDERGROUND STRUCTURES	
300 mm L.D.S.	LAND DRAINAGE SEWER	300 mm L.D.S.	M.T.S.	300 mm L.D.S.	LAND DRAINAGE SEWER	300 mm L.D.S.	CONCRETE	
250 mm W.W.S.	WASTE WATER SEWER	250 mm W.W.S.	CONCRETE	250 mm W.W.S.	WASTE WATER SEWER	250 mm W.W.S.	ASPHALT	
○	MANHOLE	●	PLANNING	○	WASTE WATER SEWER	○	PLANING	
⊗	CATCH BASIN	⊗	SIDEWALK	⊗	WASTE WATER SEWER	⊗	SIDEWALK	
▽	CURB INLET	▽	PAVING STONES	▽	WASTE WATER SEWER	▽	PAVING STONES	
+	JUNCTIONS	+	PARTIAL DEPTH REPAIR	+	WASTE WATER SEWER	+	PARTIAL DEPTH REPAIR	
—	CULVERT	—	PROPERTY LINE	—	WASTE WATER SEWER	—	PROPERTY LINE	
—	GAS	—	SURVEY BAR	—	WASTE WATER SEWER	—	SURVEY BAR	
—		—	PARAPLEGIC RAMP	—	WASTE WATER SEWER	—	PARAPLEGIC RAMP	

OAK STREET

BENCH MARK
 261 (654261) - TBLT. IN 3.9m CONC. PILE BENEATH VALVE
 BOX MARKED B.M., BTWN. LOCKWOOD ST. & CENTENNIAL ST.,
 9.7m E. OF C.L. TRACK & 17.6m N. OF S.L. ACADEMY RD.

ALL CHAINAGES TO BE TAKEN
 DOWN @ OF OAK STREET

NO.	REVISIONS	DATE	BY
3	ISSUED FOR TENDER	03/30/05	TJP
2	PAVEMENT REDESIGN	03/7/05	TJP
1	ISSUED FOR REVIEW	03/1/04	TJP

DESIGNED BY	T. PETERS
DRAWN BY	A. PORCO
CHECKED BY	D. KRAHN
APPROVED BY	ORIGINAL SIGNED BY D. KRAHN, P.ENG.
HOR. SCALE	1:250
VERTICAL	1:10
DATE	10/25/04

DILLON CONSULTING

RELEASED FOR CONSTRUCTION
 ORIGINAL SIGNED BY K. TURKO, C.E.T.
 DATE 03/31/05

ENGINEER'S SEAL
 PROVINCE OF MANITOBA
 ORIGINAL STAMPED BY
T. J. PETERS
 Member
 22309
 REGISTERED PROFESSIONAL ENGINEER

CONSULTANT PROJECT NO.
04-3914-1000

THE CITY OF WINNIPEG
 PUBLIC WORKS DEPARTMENT

2005 RESIDENTIAL STREET RENEWAL PROGRAM

OAK STREET

ACADEMY RD. TO WELLINGTON CR.
 ACADEMY RD. TO STA. 0+225

CITY DRAWING NUMBER
 SHEET **7** OF **10**