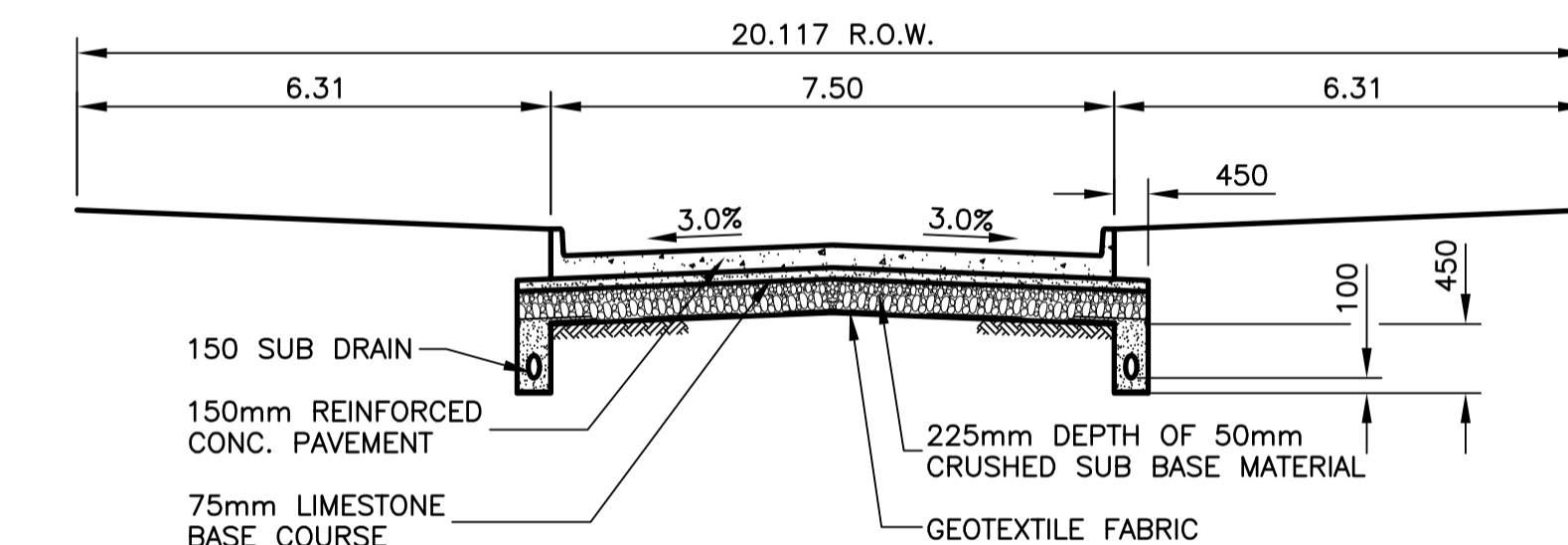
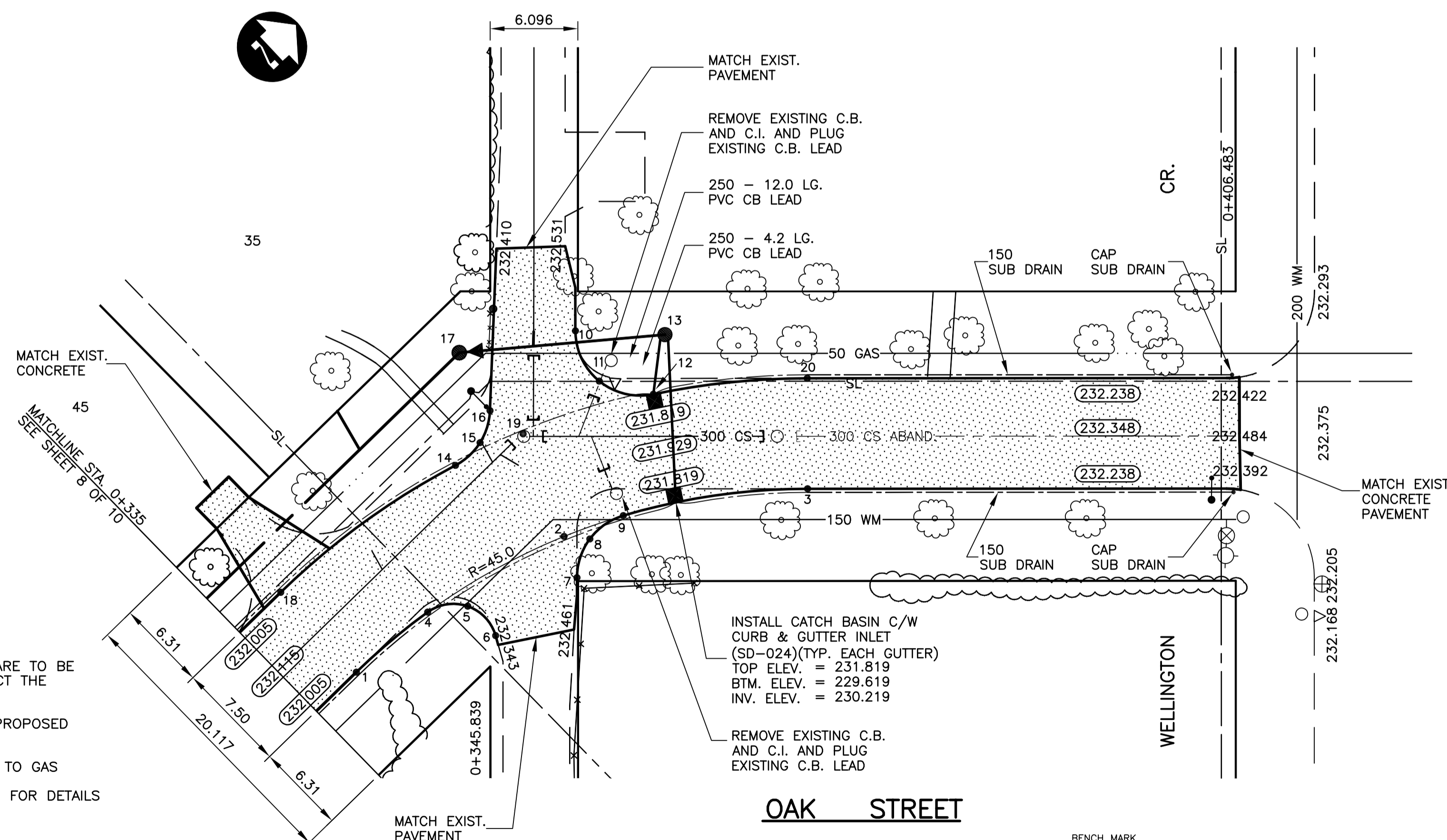


SURVEY LAYOUT NOTES

PT. NO.	NORTHING	EASTING
1	5526422.531	630710.704
2	5526439.347	630714.534
3	5526453.487	630724.408
4	5526428.976	630711.371
5	5526431.209	630713.088
6	5526431.083	630715.902
7	5526437.908	630717.173
8	5526440.463	630715.946
9	5526443.245	630716.490
10	5526450.172	630705.178
11	5526448.816	630708.798
12	5526450.769	630712.134
13	5526454.309	630709.834
14	5526437.658	630705.677
15	5526439.982	630705.808
16	5526442.060	630704.760
17	5526443.481	630700.426
18	5526422.875	630703.069
19	5526442.494	630707.538
20	5526458.991	630719.058



TYPICAL CROSS SECTION
N.T.S.

CONSTRUCTION NOTES:

- CONTRACTOR TO EXERCISE CAUTION WHEN INSTALLING SUB DRAINS TO PREVENT CROSSING CONFLICTS WITH EXISTING GAS SERVICES.
- CONTRACTOR SHALL TAKE PRECAUTIONARY STEPS TO AVOID DAMAGE FROM CONSTRUCTION ACTIVITIES TO EXISTING BOULEVARDS AND TREES WITHIN THE LIMITS OF CONSTRUCTION.
- LOCATION OF EXISTING SERVICES ARE TO BE CONFIRMED IN THE FIELD BY THE CONTRACTOR.
- TIE-INS TO BE VERIFIED IN THE FIELD BY THE CONTRACT ADMINISTRATOR.
- SIDEWALK PLACEMENT TO BE MARKED OUT IN THE FIELD AS DIRECTED BY THE CONTRACT ADMINISTRATOR.
- BOULEVARD REPLACEMENT TO BE FINALIZED IN THE FIELD AS DIRECTED BY THE CONTRACT ADMINISTRATOR.
- PRIVATE APPROACHES TO BE REPLACED AS PER SD-235 WITH A MINIMUM WIDTH OF 3.0m.
- SUB DRAINS SHALL BE INSTALLED AS PER SD-245.
- CONTRACTOR SHALL BE RESPONSIBLE TO ENSURE RESIDENTS HAVE REMOVED ALL VEHICLES, TRAILERS ETC. FROM GARAGES/DRIVEWAYS PRIOR TO REMOVAL OF STREET IN FRONT OF RESPECTIVE PROPERTIES.

WARNING

IF POWER EQUIPMENT OR EXPLOSIVES ARE TO BE USED FOR EXCAVATION ON THIS PROJECT THE CONTRACTOR MUST:

- NOTIFY THE GAS COMPANY OF THE PROPOSED LOCATION OF EXCAVATION.
- TAKE PRECAUTION TO AVOID DAMAGE TO GAS COMPANY INSTALLATIONS
SEE PROVINCIAL REGULATION 210/72 FOR DETAILS

METRIC

WHOLE NUMBERS INDICATE MILLIMETRES
DECIMALIZED NUMBERS INDICATE METRES

150 mm W.M.	WATERMAIN	150 mm W.M.	HYDRO	150 mm W.M.	WATERMAIN	150 mm W.M.
⊗	HYDRANT VALVE	⊗	M.T.S.	+	HYDRANT VALVE	+
⊗	LAND DRAINAGE SEWER	⊗	CONCRETE	⊗	LAND DRAINAGE SEWER	⊗
⊗	WASTE WATER SEWER	⊗	ASPHALT	⊗	WASTE WATER SEWER	⊗
○	MANHOLE	●	PLANING	⊗	WASTE WATER SEWER @ PROFILE	⊗
□	CATCH BASIN	■	SIDEWALK	⊗	NORTH/WEST GUTTER	⊗
▽	CURB INLET	▴	PAVING STONES	⊗	SOUTH/EAST GUTTER	⊗
⊕	JUNCTIONS	⊕	PARTIAL DEPTH REPAIR	⊗	NORTH/WEST PROPERTY	⊗
⊕	CULVERT	⊕	PROPERTY LINE	⊗	SOUTH/EAST PROPERTY	⊗
⊕	GAS	⊕	SURVEY BAR	⊗		⊗
⊕		⊕	PARAPLEGIC RAMP	⊗		⊗
EXISTING	LEGEND-PLAN	PROPOSED	EXISTING	LEGEND-PLAN	PROPOSED	EXISTING
EXISTING	LEGEND-PROFILE	PROPOSED	EXISTING	LEGEND-PROFILE	PROPOSED	EXISTING

UNDERGROUND STRUCTURES

SUPV. U/G STRUCTURES COMMITTEE DATE

NOTE:
LOCATION OF UNDERGROUND STRUCTURES AS SHOWN ARE BASED ON THE BEST INFORMATION AVAILABLE. BUT NO GUARANTEE IS GIVEN THAT ALL EXISTING UTILITIES ARE SHOWN OR THAT THE GIVEN LOCATIONS ARE EXACT. CONFIRMATION OF EXISTENCE AND EXACT LOCATION OF ALL SERVICES MUST BE OBTAINED FROM THE INDIVIDUAL UTILITIES BEFORE PROCEEDING WITH CONSTRUCTION.

BENCH MARK
261 (654261) - TBLT. IN 3.9m CONC. PILE BENEATH VALVE BOX MARKED B.M., BTWN. LOCKWOOD ST. & CENTENNIAL ST., 9.7m E. OF C.L. TRACK & 17.6m N. OF S.L. ACADEMY RD.

ALL CHAINAGES TO BE TAKEN DOWN @ OAK STREET

FOR SEWER RECONSTRUCTION SEE SHEET 10 OF 10

DESIGNED BY	T. PETERS
DRAWN BY	A. PORCO
CHECKED BY	D. KRAHN
APPROVED BY	ORIGINAL SIGNED BY D. KRAHN, P.ENG.
HOR. SCALE	1:250
VERTICAL	1:10
RELEASED FOR CONSTRUCTION	ORIGINAL SIGNED BY K. TURKO, C.E.T.
DATE	10/25/04

THE CITY OF WINNIPEG
PUBLIC WORKS DEPARTMENT

2005 RESIDENTIAL STREET RENEWAL PROGRAM

OAK STREET

ACADEMY RD. TO WELLINGTON CR.
STA. 0+370 TO WELLINGTON CR.

CITY DRAWING NUMBER
SHEET 9 OF 10

CONSULTANT PROJECT NO.
04-3914-1000