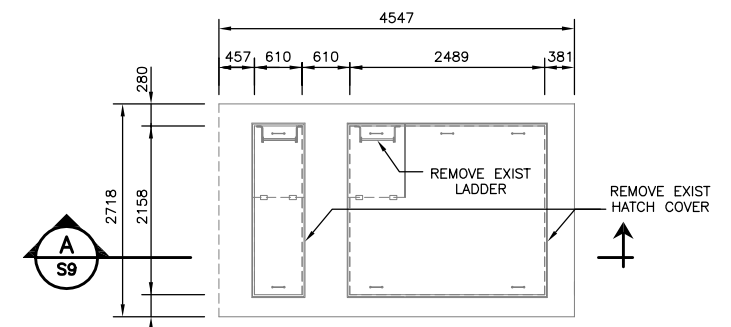
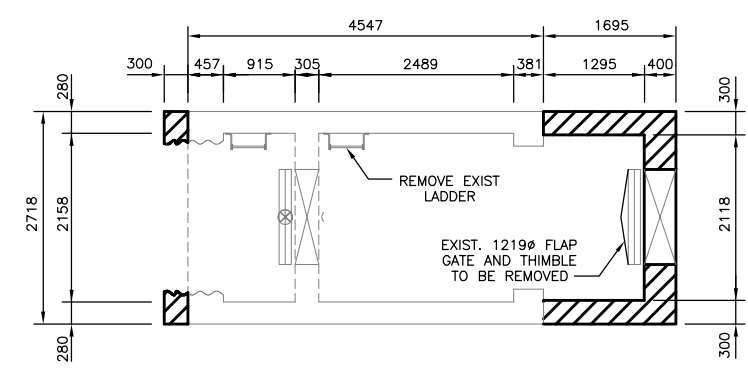


NOTE:  
EXISTING GATE CHAMBER DIMENSIONS  
HAVE BEEN FIELD MEASURED WHERE  
ACCESSIBLE BUT MAY VARY SLIGHTLY.  
(NO EXISTING DRAWINGS ARE AVAILABLE)



**PLAN - EXISTING CHAMBER**  
TOP LEVEL  
SCALE: 1:50



**PLAN - EXISTING CHAMBER**  
BOTTOM LEVEL  
SCALE: 1:50

**LEGEND:**

WALL TO BE DEMOLISHED

**WARNING**

IF POWER EQUIPMENT OR EXPLOSIVES ARE TO BE USED FOR EXCAVATION ON THIS PROJECT THE CONTRACTOR MUST:  
1) NOTIFY THE GAS COMPANY OF THE PROPOSED LOCATION OF EXCAVATION.  
2) TAKE PRECAUTION TO AVOID DAMAGE TO GAS COMPANY INSTALLATIONS.  
SEE PROVINCIAL REGULATION 210/72 FOR DETAILS.

**METRIC**

WHOLE NUMBERS INDICATE MILLIMETRES  
DECIMALIZED NUMBERS INDICATE METRES



SCALE: 1:250 METRIC A1  
1:500 METRIC A3

**1 SITE PLAN**  
SCALE: 1:50

B.M.	XX-XXX	ELEV.	XXX.XXX
NO.	REVISIONS	DATE	BY
0	ISSUED FOR CONSTRUCTION	05/12/07	CMS
		DATE	05/11/08

**KGS GROUP**  
CONSULTING ENGINEERS & PROJECT MANAGERS  
WINNIPEG (204) 896-1209  
THUNDER BAY (807) 345-2233

DESIGNED BY	CMS	CHECKED BY	CMS
DRAWN BY	EDC	APPROVED BY	
SCALE:	AS NOTED	RELEASED FOR CONSTRUCTION:	
DATE	05/11/08	DATE	

ENGINEER'S SEAL  
ORIGINAL DRAWING  
SIGNED BY:  
C. SIEPMAN  
05/12/07  
CONSULTANT DRAWING NO.  
05-0107-13-07

**THE CITY OF WINNIPEG**  
WATER & WASTE DEPARTMENT  
HAWTHORNE FLOOD PUMPING STATION  
UPGRADE  
**STRUCTURAL**  
GENERAL ARRANGEMENT

SHEET **07** OF **24**  
CAD FILE DRAWING NUMBER  
05-0107-13-07  
CITY DRAWING NUMBER  
**LD-3244**

**APEGM**  
Certificate of Authorization  
KGS Group  
No. 245 Expiry: April 30, 2006