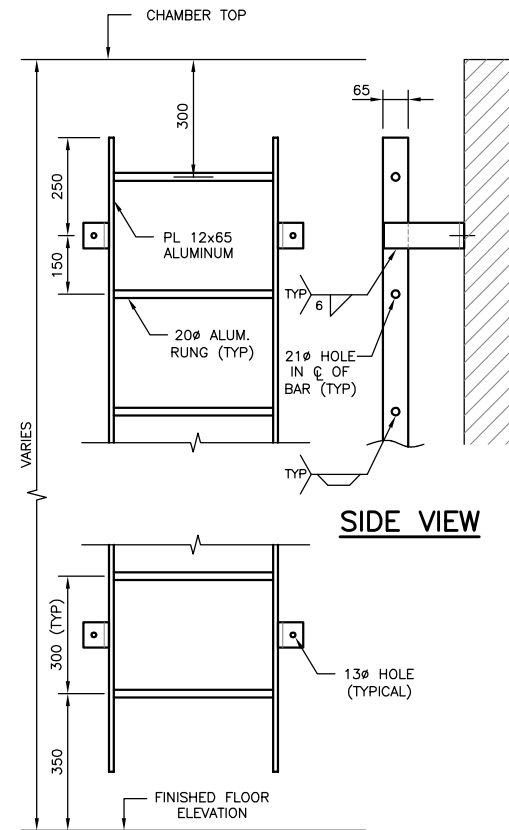
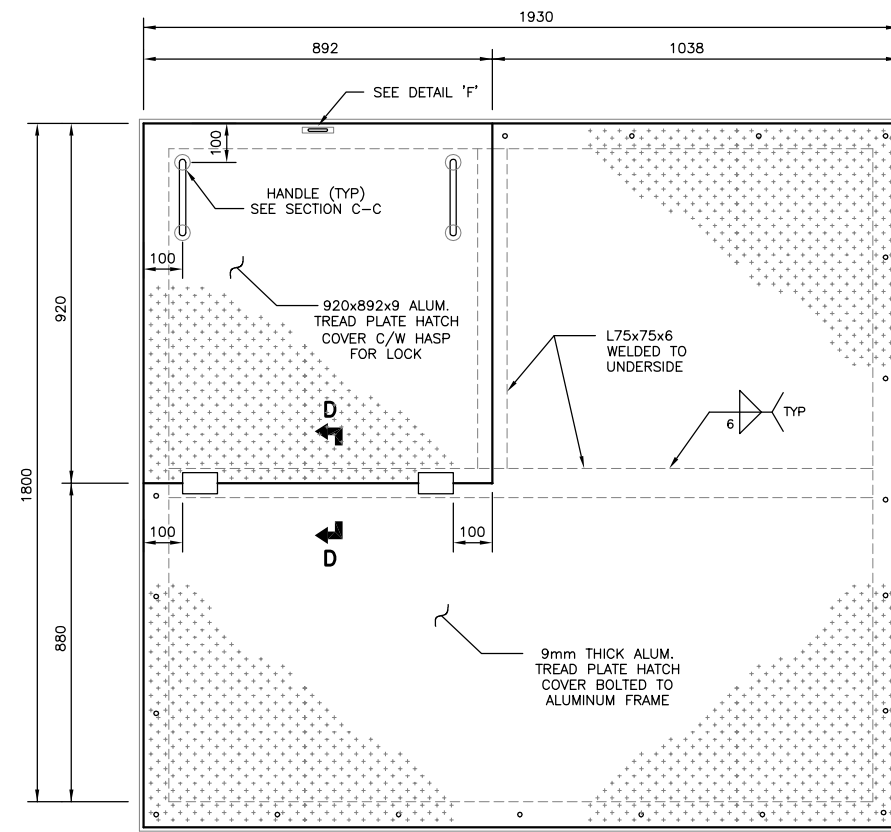
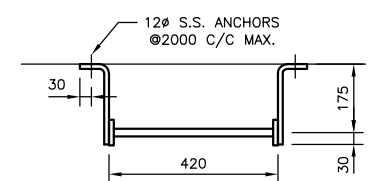


**ROOF ACCESS PLAN**  
SCALE: 1:25



**ELEVATION**



**PLAN**

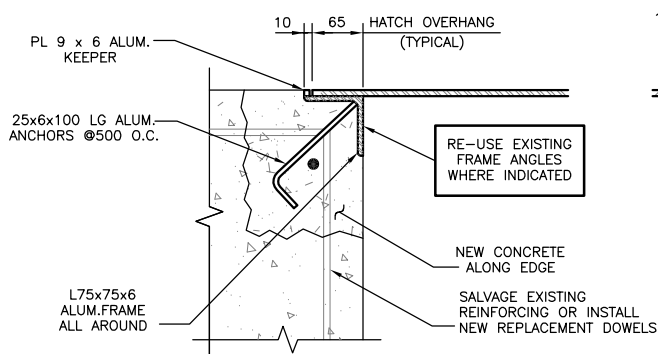
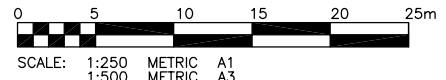
**LADDER DETAIL**  
SCALE: 1:10

**WARNING**

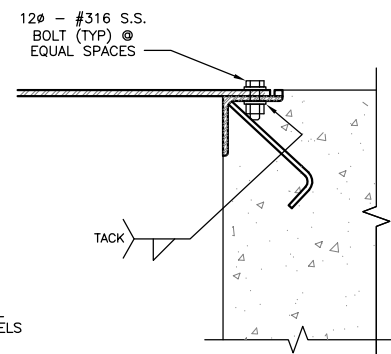
IF POWER EQUIPMENT OR EXPLOSIVES ARE TO BE USED FOR EXCAVATION ON THIS PROJECT THE CONTRACTOR MUST:  
1) NOTIFY THE GAS COMPANY OF THE PROPOSED LOCATION OF EXCAVATION.  
2) TAKE PRECAUTION TO AVOID DAMAGE TO GAS COMPANY INSTALLATIONS.  
SEE PROVINCIAL REGULATION 210/72 FOR DETAILS.

**METRIC**

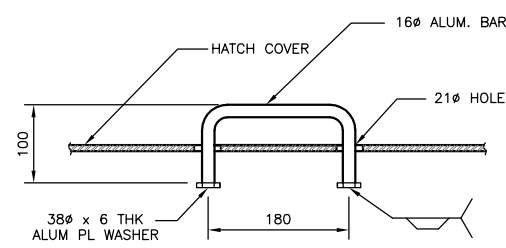
WHOLE NUMBERS INDICATE MILLIMETRES  
DECIMALIZED NUMBERS INDICATE METRES



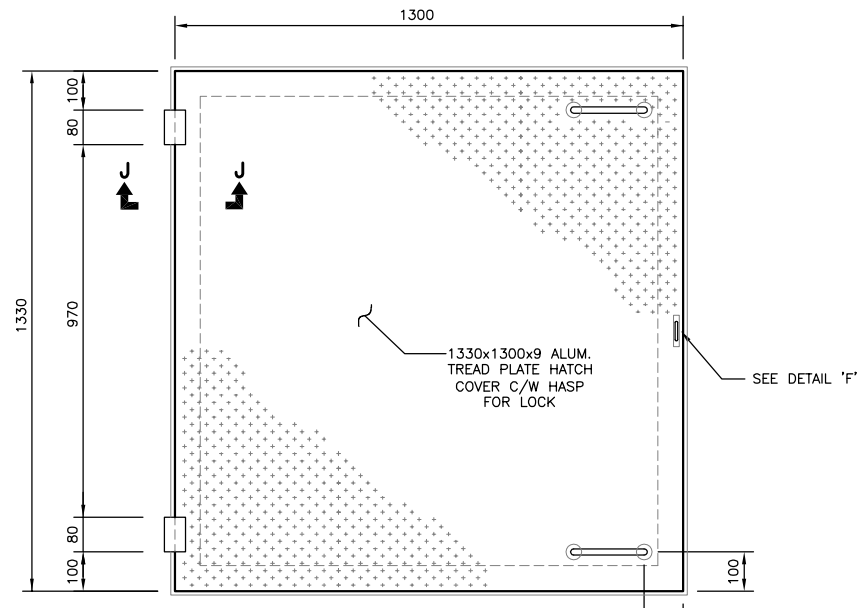
**SECTION A-A**  
SCALE: 1:5



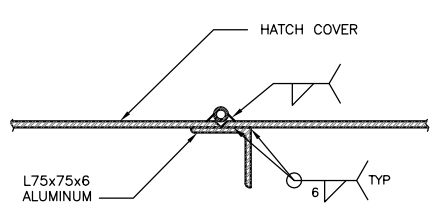
**SECTION B-B**  
SCALE: 1:5



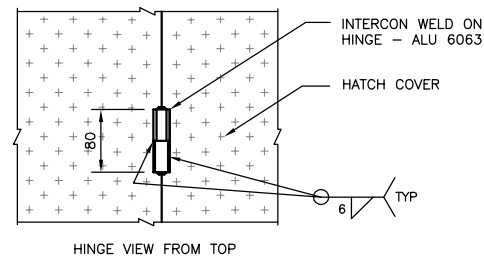
**SECTION C-C**  
SCALE: 1:5



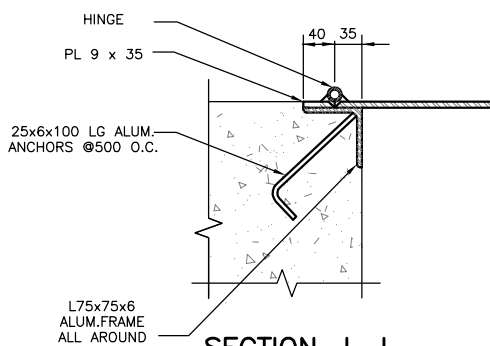
**ACCESS HATCH DETAIL**  
SCALE: 1:10  
(4 IN TOTAL)



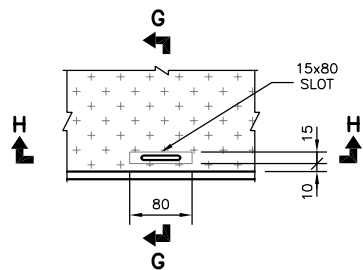
**SECTION D-D**  
SCALE: 1:5



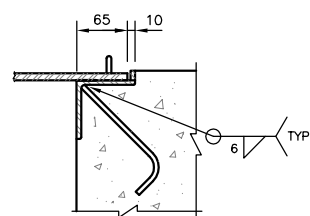
**DETAIL E**  
SCALE: 1:5



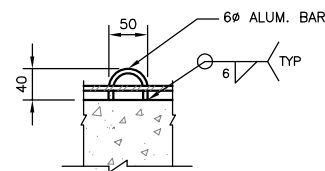
**SECTION J-J**  
SCALE: 1:5



**DETAIL F**  
SCALE: 1:5



**SECTION G-G**  
SCALE: 1:5



**SECTION H-H**  
SCALE: 1:5

**NOTES:**

- ALL ALUMINUM CONFORMS TO THE ALUMINUM ASSOCIATION "SPECIFICATIONS FOR ALUMINUM STRUCTURES" - LATEST ADDITION. ALUMINUM FOR PLATES TYPE 5086
- ALL ALUMINUM IN CONTACT WITH CONCRETE OR CAST INTO CONCRETE HAS BITUMINOUS ISOLATION COATING.
- ALL NUTS, BOLTS AND ANCHORS CONFORM TO ASTM A276 TYPE # 316 STAINLESS STEEL.

B.M. XX-XXX ELEV. XXX.XXX					
0	ISSUED FOR CONSTRUCTION	05/12/07	CMS		
NO.	REVISIONS	DATE	BY	DATE	05/11/08

**KGS GROUP**  
CONSULTING ENGINEERS & PROJECT MANAGERS  
WINNIPEG (204) 896-1209  
THUNDER BAY (807) 345-2233

DESIGNED BY	CMS	CHECKED BY	CMS
DRAWN BY	EDC	APPROVED BY	
SCALE:	AS NOTED	RELEASED FOR CONSTRUCTION:	

ENGINEER'S SEAL  
ORIGINAL DRAWING  
SIGNED BY:  
C. SIEPMAN  
05/12/07  
CONSULTANT DRAWING NO.  
05-0107-13-12

**THE CITY OF WINNIPEG**  
WATER & WASTE DEPARTMENT  
HAWTHORNE FLOOD PUMPING STATION  
UPGRADE  
**STRUCTURAL**  
MISC. METAL DETAILS

SHEET 12 OF 24  
CAD FILE DRAWING NUMBER 05-0107-13-12  
CITY DRAWING NUMBER LD-3249

**APEGM**  
Certificate of Authorization  
KGS Group  
No. 245 Expiry: April 30, 2006