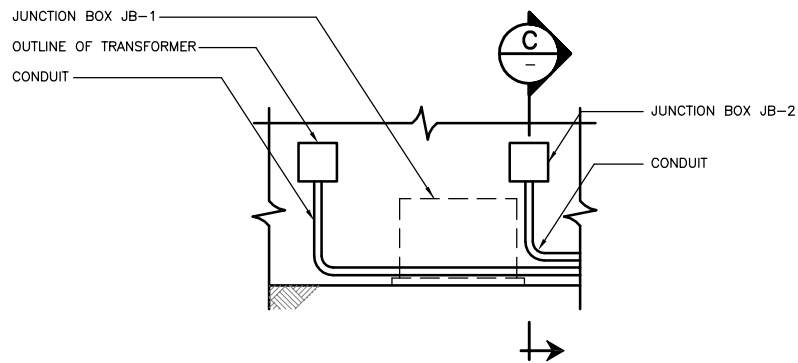
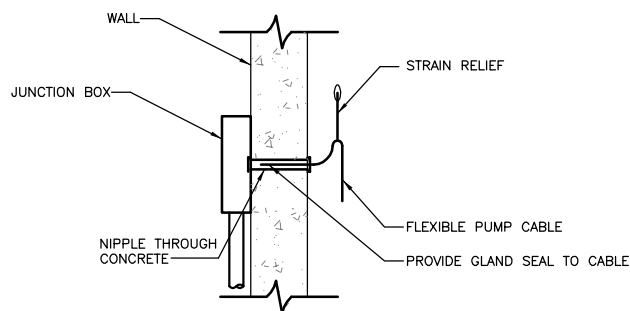


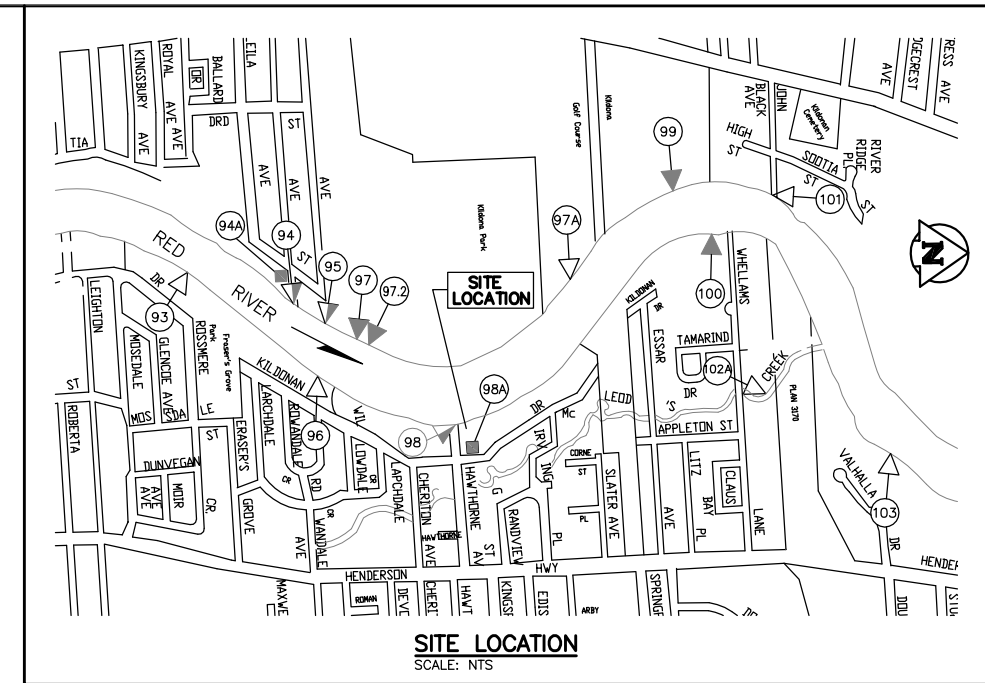
1 PUMP STATION PLAN
SCALE: 1:50



A ELEVATION - FLOOD PUMP STATION
SCALE: 1:50



C SECTION - JUNCTION BOX
SCALE: 1:20



NOTES:

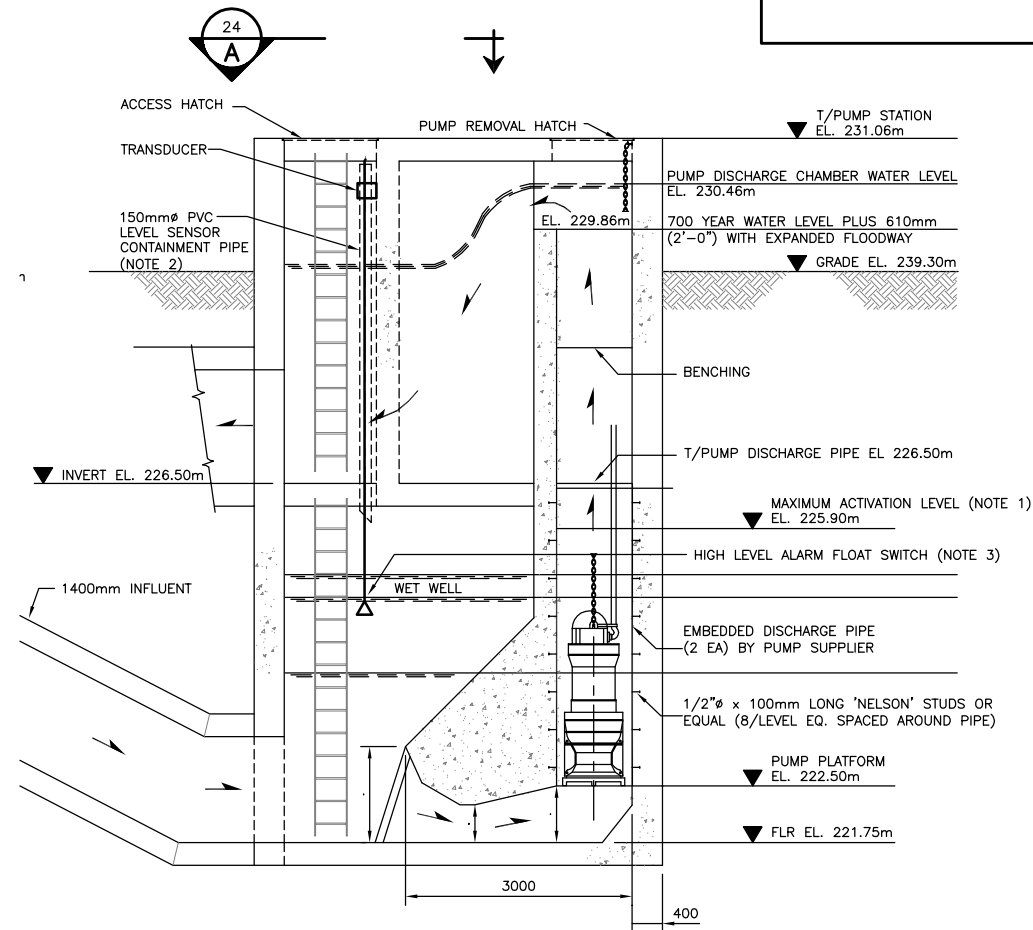
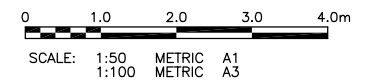
- HIGHEST ALLOWABLE PUMP #2 START ACTIVATION TO PROTECT LOWEST BASEMENT.
- LEVEL SENSOR SHALL BE SUPPLIED IN ACCORDANCE WITH MANUFACTURER'S RECOMMENDED CONFIGURATION FOR A 150mm PVC PIPE FOR THE APPLICATION. PIPE AND MOUNTING SHALL BE SUPPLIED BY INSTRUMENTATION.
- FLOAT SWITCH SHALL BE A FLIGHT ENM-10. SWITCH SHALL BE INSTALLED WITH THE CABLING FED THROUGH A CABLE GLAND AND CONNECTED TO A CONDUIT VIA A "RAB" BOX. SENSOR CABLE CONDUIT SHALL HAVE A STRAIGHT RUN FROM 18" ABOVE SENSOR LOCATION TO SEALED JUNCTION BOX AT TOP OF PIT.

WARNING

IF POWER EQUIPMENT OR EXPLOSIVES ARE TO BE USED FOR EXCAVATION ON THIS PROJECT THE CONTRACTOR MUST:
1) NOTIFY THE GAS COMPANY OF THE PROPOSED LOCATION OF EXCAVATION.
2) TAKE PRECAUTION TO AVOID DAMAGE TO GAS COMPANY INSTALLATIONS.
SEE PROVINCIAL REGULATION 210/72 FOR DETAILS.

METRIC

WHOLE NUMBERS INDICATE MILLIMETRES
DECIMALIZED NUMBERS INDICATE METRES



B SECTION - FLOOD PUMP STATION
SCALE: 1:50

LOCATION APPROVED UNDERGROUND STRUCTURES

SUPPLY U/G STRUCTURES COMMITTEE DATE

NOTE:
LOCATION OF UNDERGROUND STRUCTURES AS SHOWN ARE BASED ON THE BEST INFORMATION AVAILABLE BUT NO GUARANTEE IS GIVEN THAT ALL EXISTING UTILITIES ARE SHOWN OR THAT THE GIVEN LOCATIONS ARE EXACT. CONFIRMATION OF EXISTENCE AND EXACT LOCATION OF ALL SERVICES MUST BE OBTAINED FROM THE INDIVIDUAL UTILITIES BEFORE PROCEEDING WITH CONSTRUCTION.

B.M. XX-XXX
ELEV. XXX.XXX

| | | | |
|-----|-------------------------|----------|----|
| NO. | REVISIONS | DATE | BY |
| 0 | ISSUED FOR CONSTRUCTION | 05/12/07 | AP |

KGS GROUP
CONSULTING ENGINEERS & PROJECT MANAGERS
WINNIPEG (204) 896-1209
THUNDER BAY (807) 345-2233

| | | | |
|-------------|----------|----------------------------|-----|
| DESIGNED BY | AP | CHECKED BY | REW |
| DRAWN BY | GCN | APPROVED BY | |
| HOR. SCALE: | AS NOTED | RELEASED FOR CONSTRUCTION: | |
| DATE | 05/11/08 | DATE | |

ENGINEER'S SEAL

ORIGINAL DRAWING SIGNED BY
A. PAWLKIEWICH
05/12/07

CONSULTANT DRAWING NO.
05-0107-13_18

THE CITY OF WINNIPEG
WATER & WASTE DEPARTMENT

HAWTHORNE FLOOD PUMPING STATION UPGRADE ELECTRICAL SITE PLAN

SHEET 18 OF 24
CAD FILE DRAWING NUMBER 05-0107-13
CITY DRAWING NUMBER LD-3255

