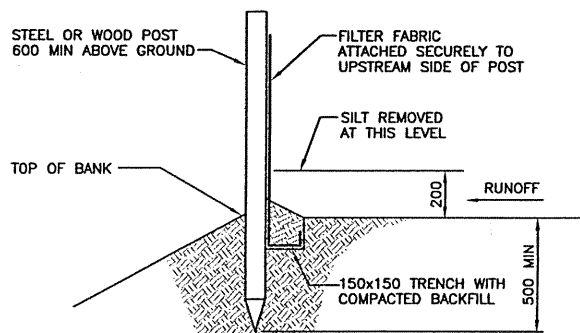
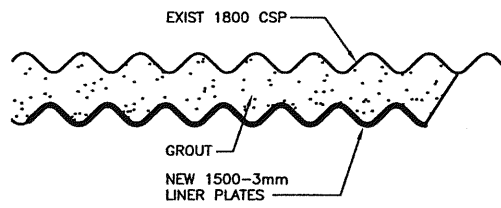


ISOMETRIC DETAIL
SCALE: NTS

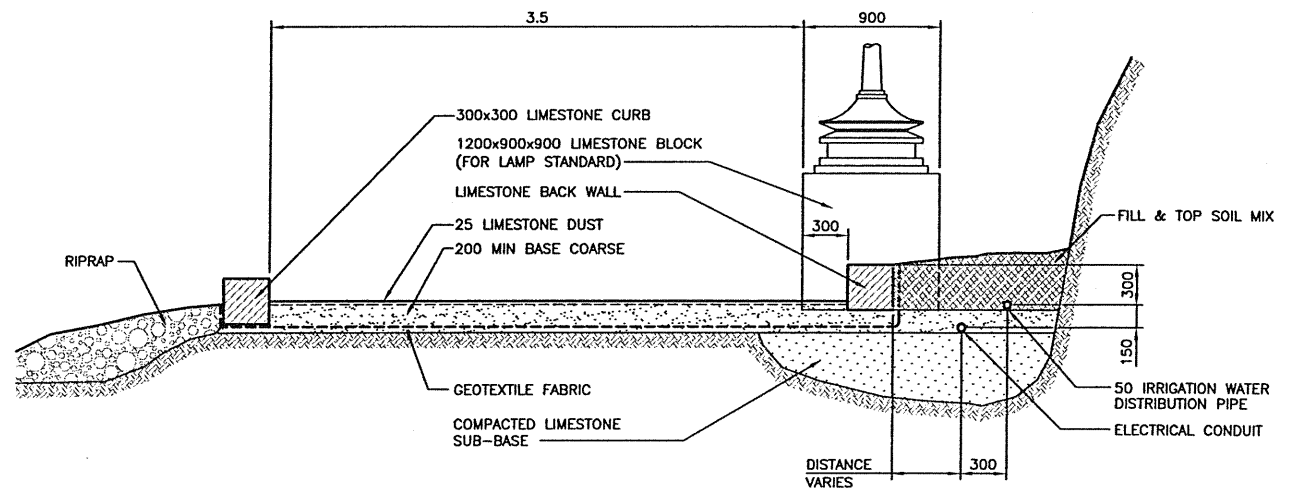
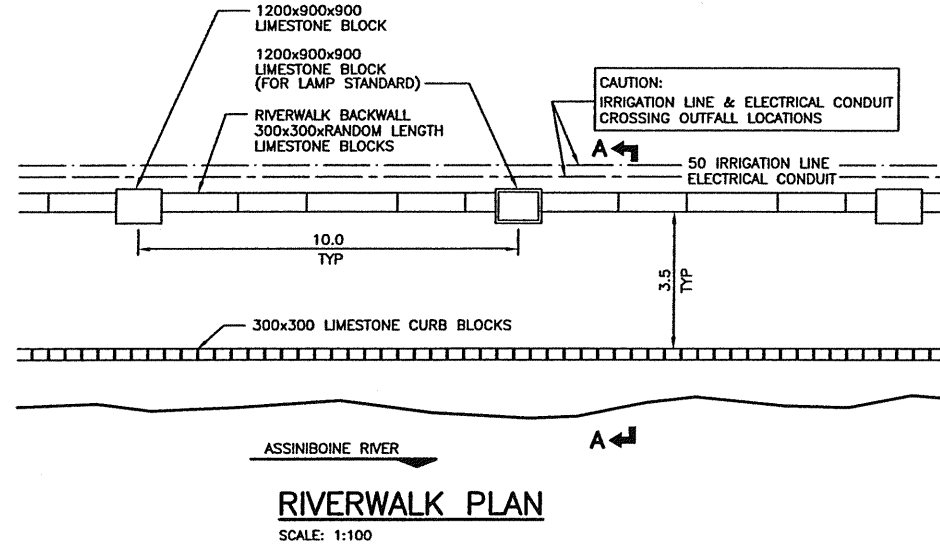


SECTION A-A
TRENCH WITH NATIVE BACKFILL
SCALE: NTS

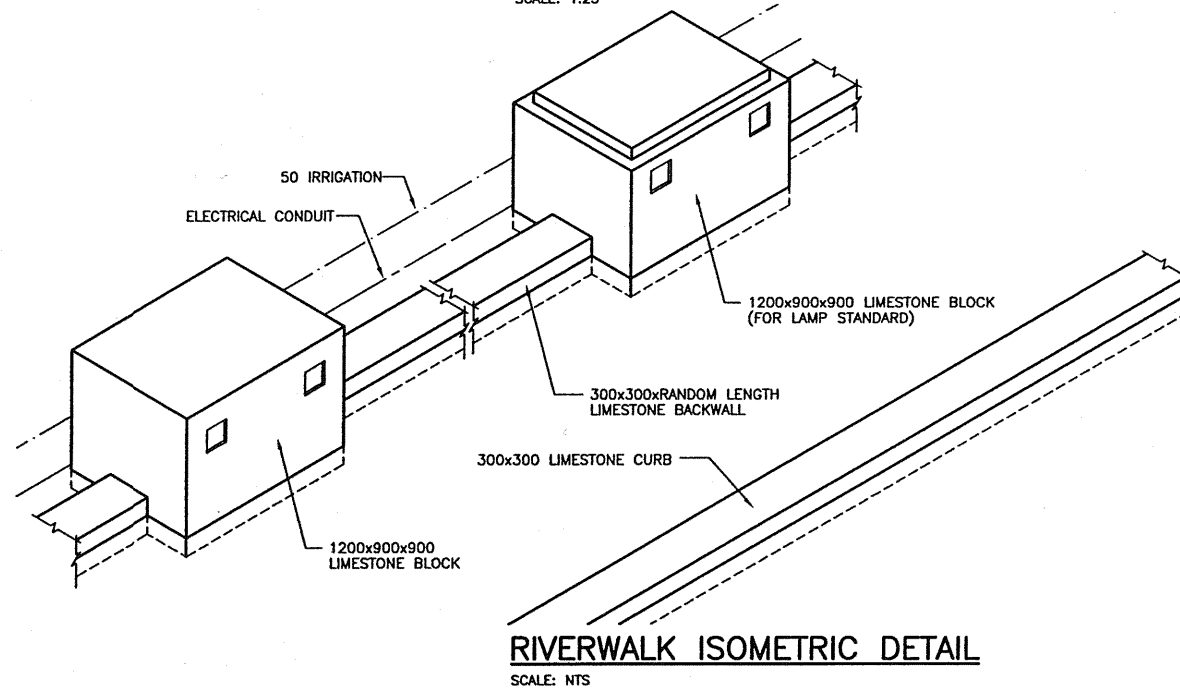
SILT FENCE DETAILS
SCALE: NTS



1 DETAIL
LD-3237 SCALE: 1:5



SECTION A-A
SCALE: 1:25



METRIC
WHOLE NUMBERS INDICATE MILLIMETRES
DECIMALIZED NUMBERS INDICATE METRES

APECM
Certificata of Authorization
KGS Group
No. 245 Expiry: April 30, 2008

LOCATION APPROVED UNDERGROUND STRUCTURES

SUPV. U/G STRUCTURES DATE COMMITTEE

NOTE:

LOCATION OF UNDERGROUND STRUCTURES AS SHOWN ARE BASED ON THE BEST INFORMATION AVAILABLE BUT NO GUARANTEE IS GIVEN THAT ALL EXISTING UTILITIES ARE SHOWN OR THAT THE GIVEN LOCATIONS ARE EXACT. CONFIRMATION OF EXISTENCE AND EXACT LOCATION OF ALL SERVICES MUST BE OBTAINED FROM THE MUNICIPAL UTILITIES BEFORE PROCEEDING WITH CONSTRUCTION.

B.M.	ELEV.			
0	ISSUED FOR TENDER	09/12/05	RJH	
A	ISSUED FOR REVIEW	25/11/05	RJH	
NO.	REVISIONS	DATE	BY	DATE

KGS GROUP
CONSULTING ENGINEERS & PROJECT MANAGERS
WINNIPEG (204) 896-1209
THUNDER BAY (807) 345-2233

DESIGNED BY	RJH	CHECKED BY	RJH
DRAWN BY	DW	APPROVED BY	
HOR. SCALE:	AS NOTED	RELEASED FOR CONSTRUCTION:	
VERTICAL:		DATE	
DATE	12/09/05		

ENGINEER'S SEAL
R.J. HOUSTON
Member 4395
CONSULTANT DRAWING NO. 05-107-11_10

THE CITY OF WINNIPEG
WATER & WASTE DEPARTMENT

OUTFALL REPAIRS

SILT FENCE & MISCELLANEOUS DETAILS

SHEET 10 OF 10
CAD FILE DRAWING NUMBER 05-107-11
CITY DRAWING NUMBER LD-3237