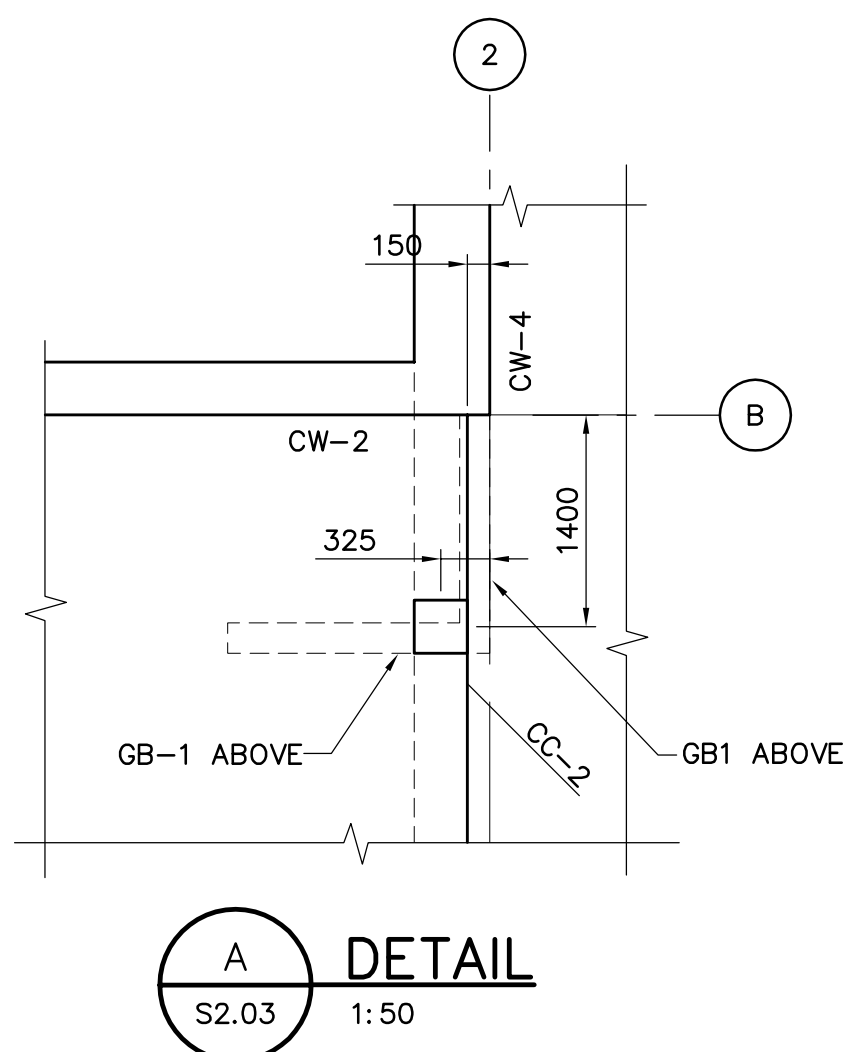


**PLAN ABOVE ELEVATION 231.620**  
SCALE: 1:150

**NOTES:**

1. FOR GENERAL NOTES AND SCHEDULES REFER TO DRAWING CS1.01.
2. FOR STANDARD DETAILS REFER TO DRAWINGS CS4.01, CS4.02, AND CS4.03.



B.M. ELEV.		<b>EARTH TECH</b> <small>Earth Tech (Canada) Inc. Winnipeg, Manitoba 204.477.5381</small>	ENGINEER'S SEAL  ORIGINAL SIGNED BY R.B. ERIC FEB. 18/05	<b>THE CITY OF WINNIPEG</b> Winnipeg WATER AND WASTE DEPARTMENT
		DESIGNED BY: RE, MK CHECKED BY: GGP DRAWN BY: C.T. APPROVED BY: DT		<b>NEWPCC - SECONDARY EFFLUENT UV DISINFECTION FACILITY</b>
		HOR. SCALE: AS NOTED VERTICAL SCALE: AS NOTED	RELEASED FOR CONSTRUCTION BY: T. KJARTANSON DATE: 2005-02-18	STRUCTURAL PLAN ABOVE ELEVATION 231.620
1 ISSUED FOR ADDENDUM	05/03/04	JEH		CITY FILE NUMBER
0 ISSUED FOR TENDER	05/02/18	JEH		SHEET 4 OF 19
NO. REVISIONS	DATE	BY	DATE	CITY DRAWING NUMBER
	2004/11/04		2005-02-18	
			CONSULTANT DRAWING NO. 66303D-CS2.03	