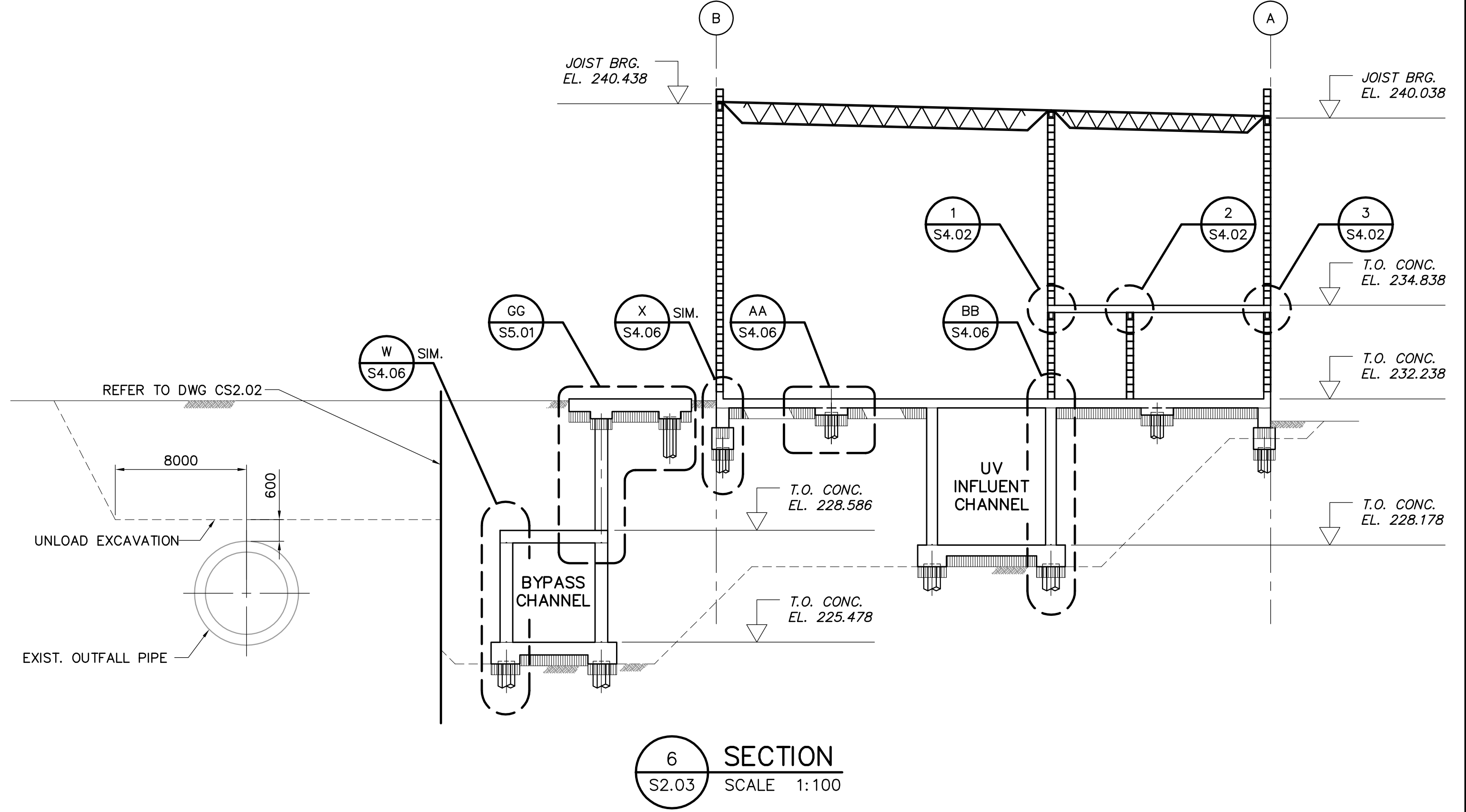
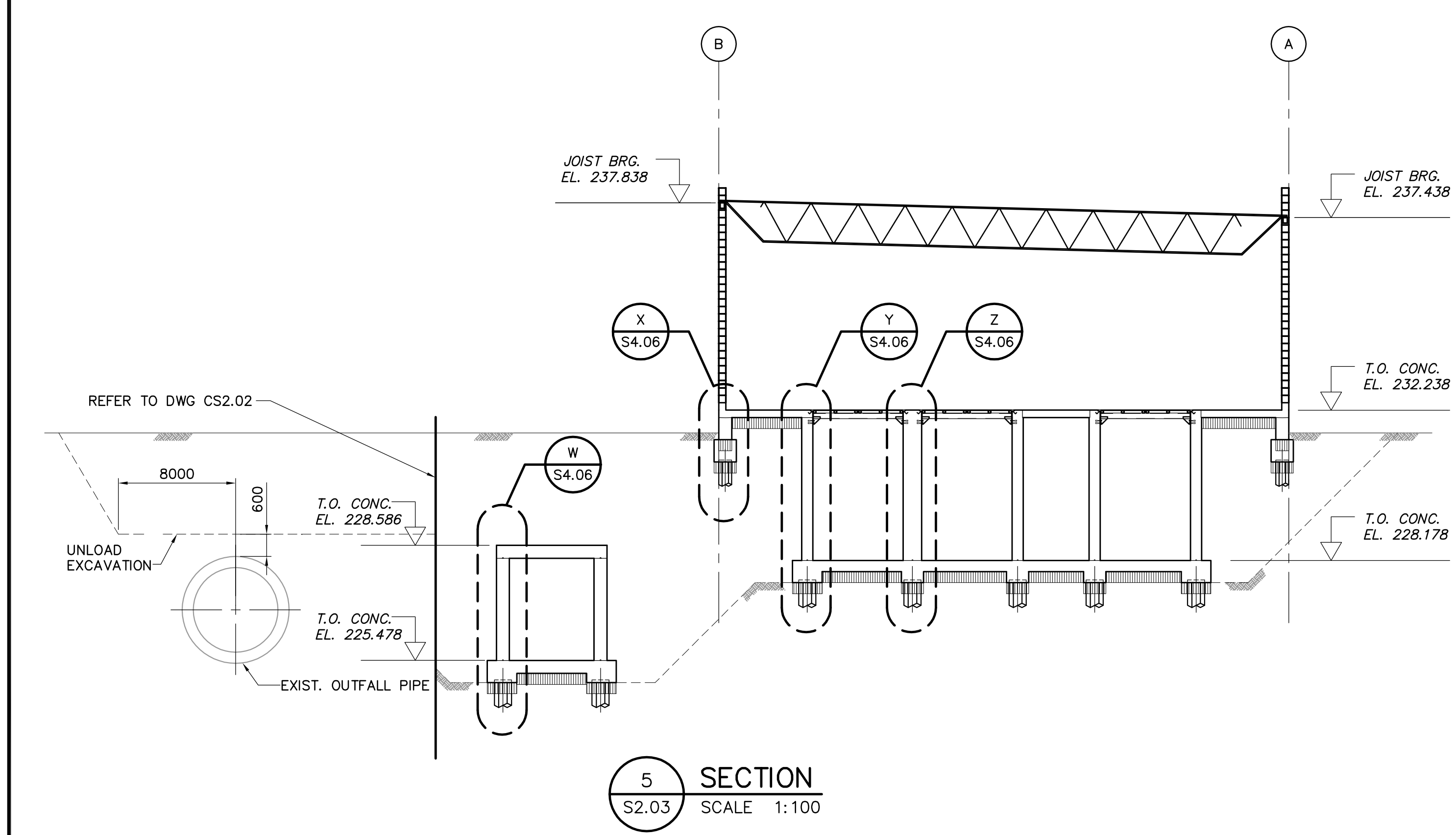
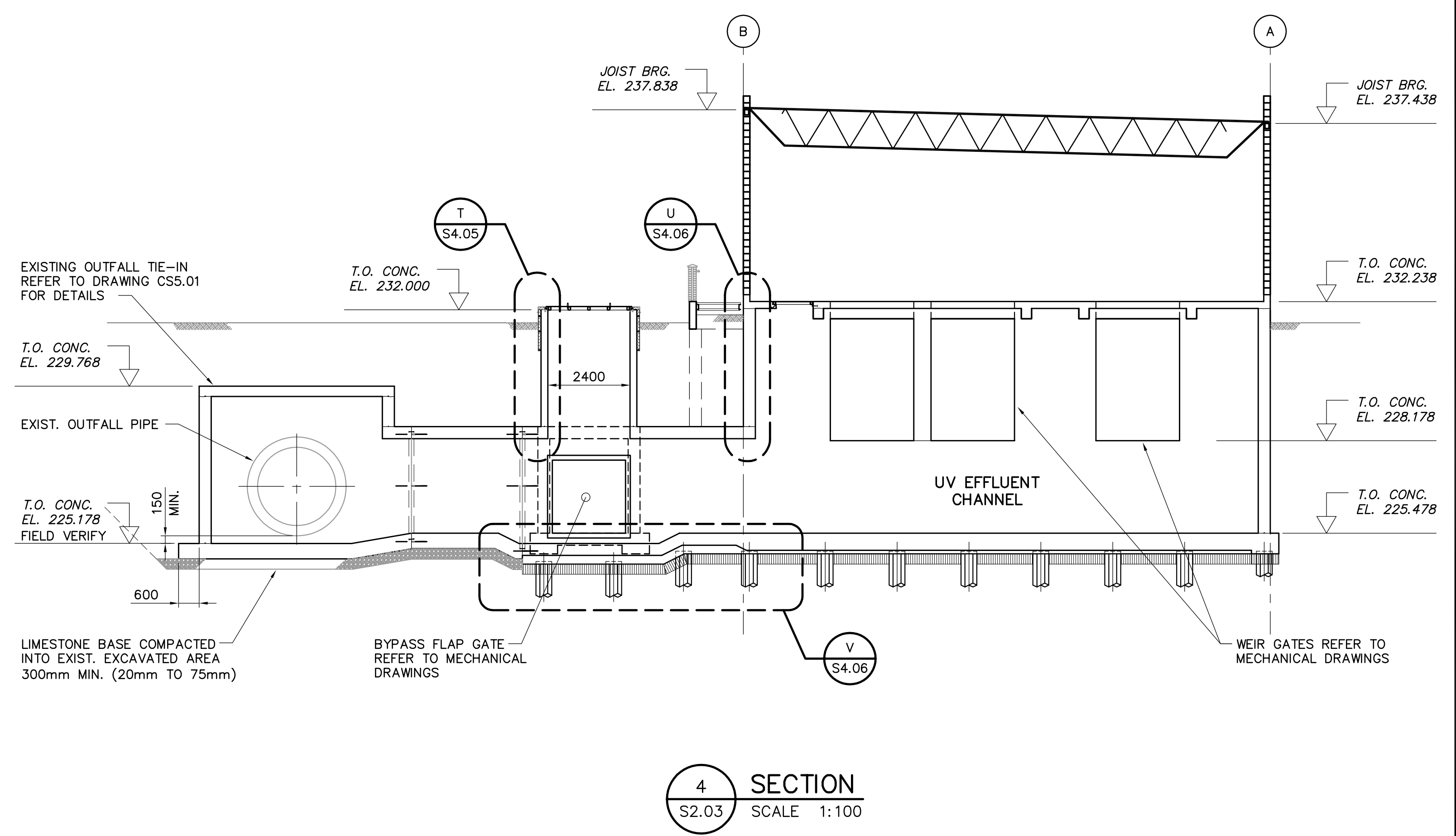
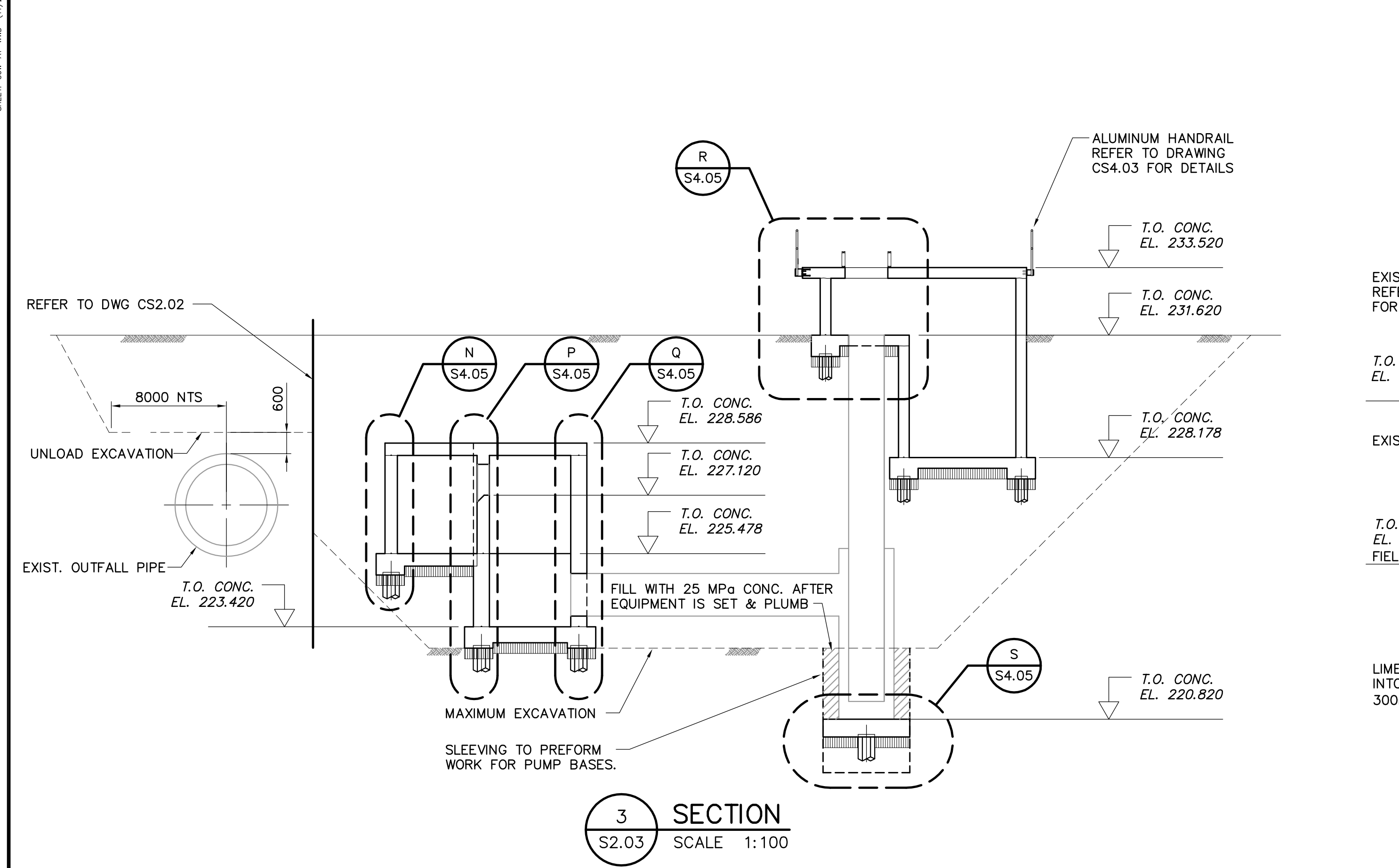


SHEET: CON-AL-1100 (1/2005)



APEGM
Certificate of Authorization
Earth Tech Canada Inc.
No. 730 Expiry: April 30, 2005

B.M. ELEV.	EARTH TECH Earth Tech (Canada) Inc. Winnipeg, Manitoba 204.477.5381		ENGINEER'S SEAL ORIGINAL SIGNED BY R.B. ERIC FEB. 18/05	THE CITY OF WINNIPEG Winnipeg WATER AND WASTE DEPARTMENT NEWPCC - SECONDARY EFFLUENT UV DISINFECTION FACILITY STRUCTURAL BUILDING SECTIONS	CITY FILE NUMBER
	DESIGNED BY RE, MK DRAWN BY C.T.	CHECKED BY GOP APPROVED BY DT	CONSULTANT DRAWING NO. 66303D-CS3.02		SHEET 8 OF 19
1 ISSUED FOR ADDENDUM 1	05/03/04	JEH	HOR. SCALE: AS NOTED VERTICAL SCALE: AS NOTED	RELEASED FOR CONSTRUCTION BY: T. KJARTANSON	CITY DRAWING NUMBER
0 ISSUED FOR TENDER	05/02/18	JEH	DATE 2004/11/08	DATE 2005-02-18	