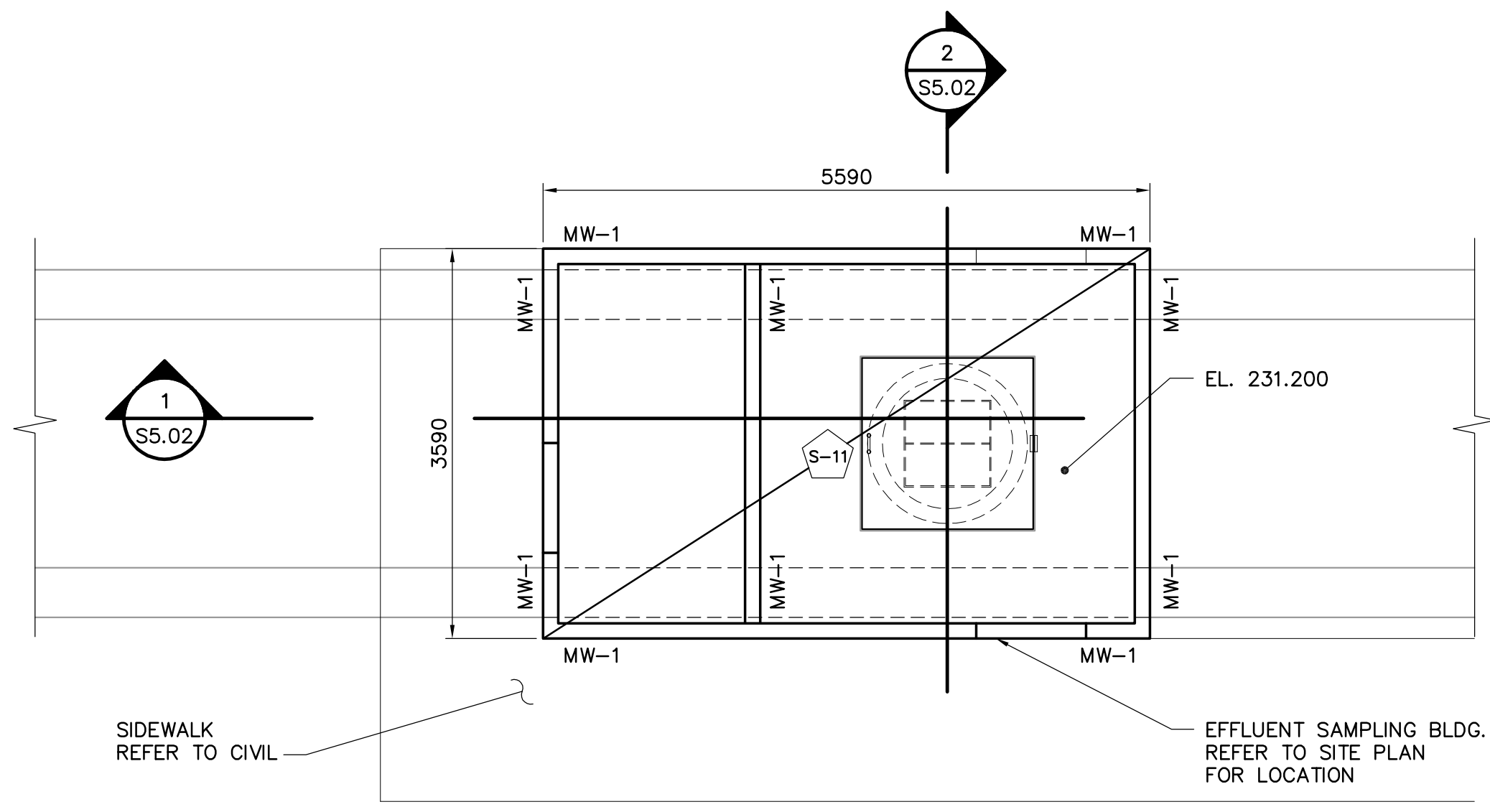
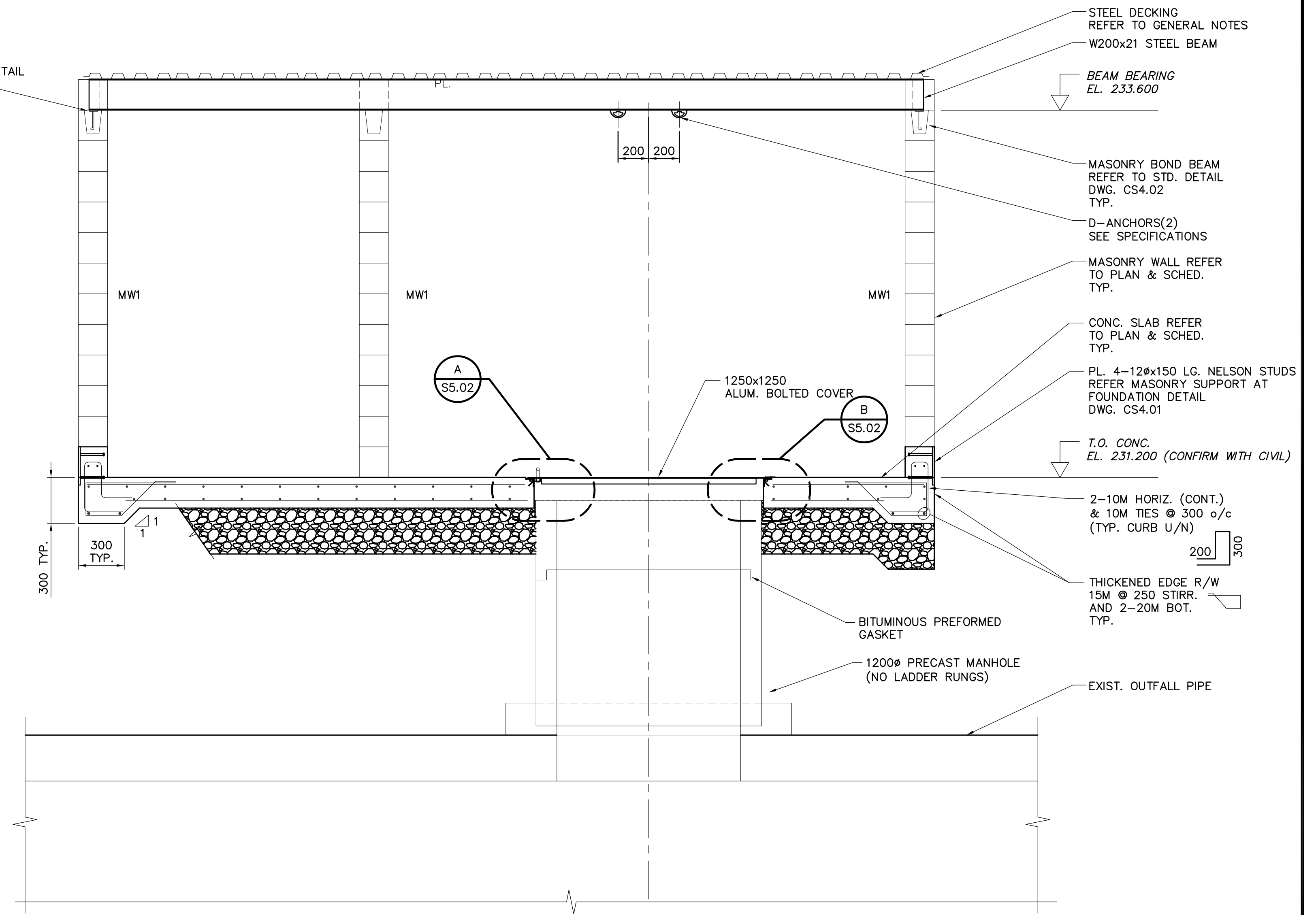


SHEET: CON-AL-WWD (1/2005)

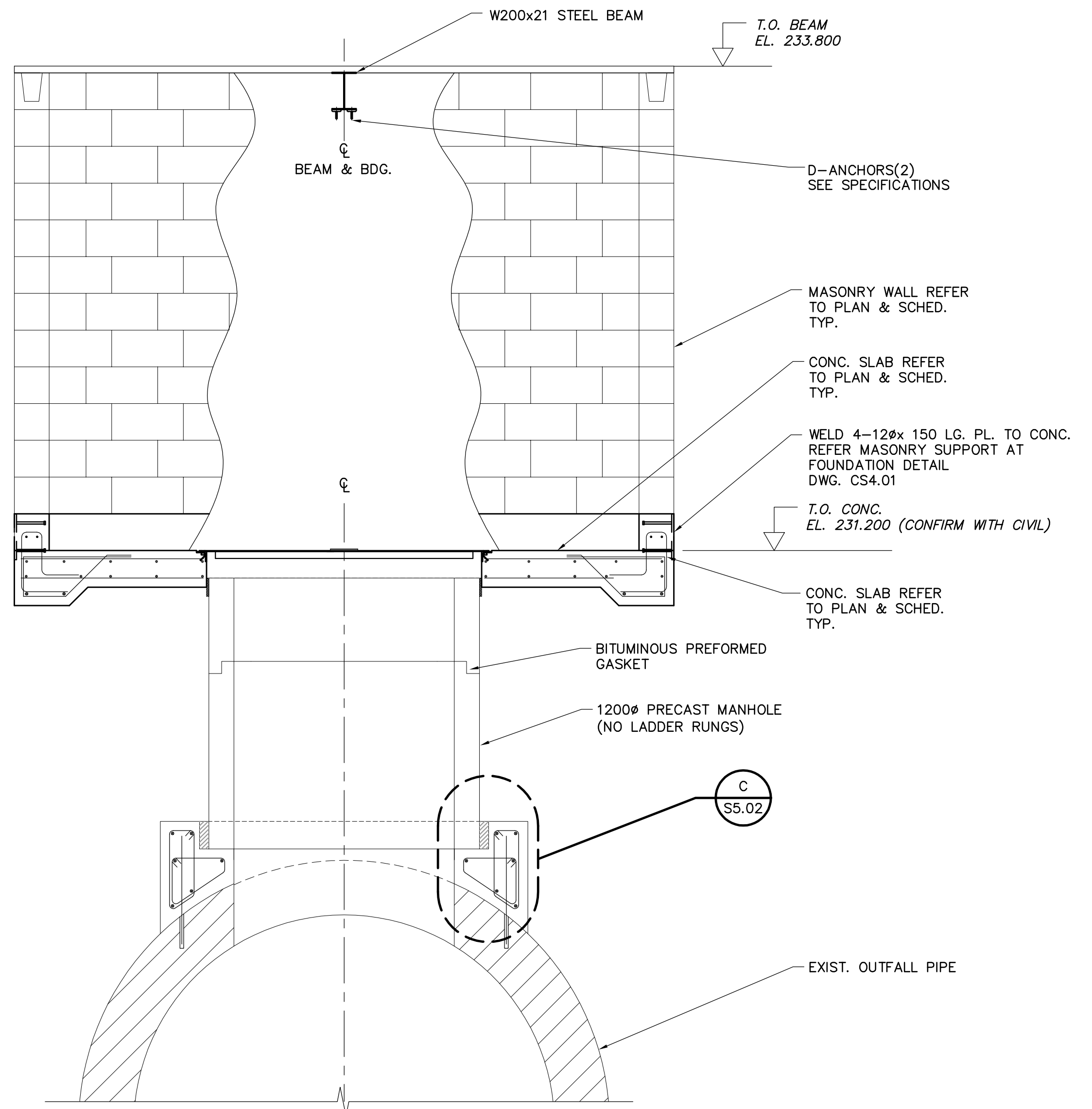


PLAN EFFLUENT SAMPLING BUILDING
SCALE: 1:150

BEARING PLATE REFER TO STD. DETAIL DWG. CS4.02

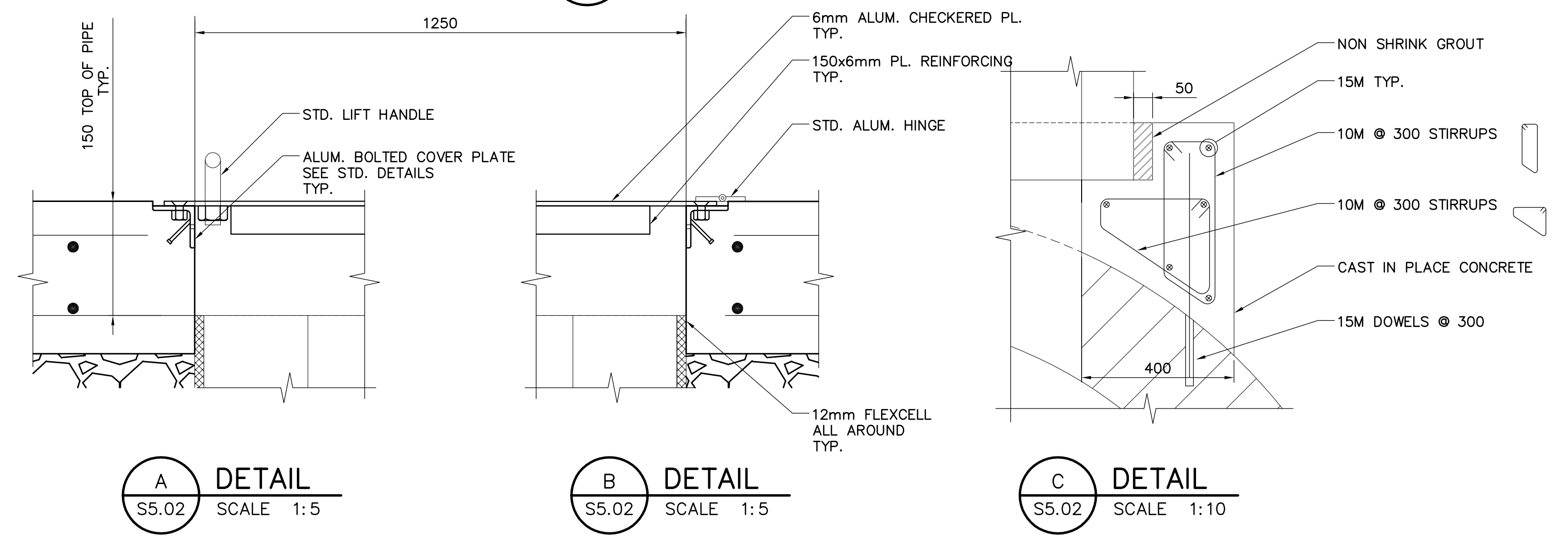


1 SECTION
SCALE 1:20



2 SECTION
SCALE 1:20

ENTIRE SHEET REVISED



A DETAIL
SCALE 1:5

B DETAIL
SCALE 1:5

C DETAIL
SCALE 1:10

APCGM
Certificate of Authorization
Earth Tech Canada Inc.
No. 730 Expiry: April 30, 2005

B.M. ELEV.	DATE	BY	REVISIONS
	05/03/03	JEH	ISSUED FOR ADDENDUM 1
	05/02/18	JEH	ISSUED FOR TENDER

EARTH TECH	
DESIGNED BY	RE, MK
CHECKED BY	GGP
DRAWN BY	C.T.
APPROVED BY	DT
HOR. SCALE:	AS NOTED
VERTICAL SCALE:	AS NOTED
RELEASED FOR CONSTRUCTION BY:	T. KJARTANSON
DATE	2004/11/04
DATE	2005-02-18

ENGINEER'S SEAL
ORIGINAL SIGNED BY
R.B. ERIC
FEB. 18/05
CONSULTANT DRAWING NO.
66303D-CS5.02

THE CITY OF WINNIPEG	
Winnipeg WATER AND WASTE DEPARTMENT	
NEWPCC - SECONDARY EFFLUENT UV DISINFECTION FACILITY	CITY FILE NUMBER
STRUCTURAL EFFLUENT SAMPLING BUILDING PLAN, SECTIONS AND DETAILS	SHEET 17 OF 19
	CITY DRAWING NUMBER