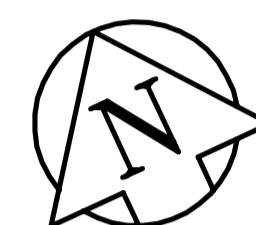
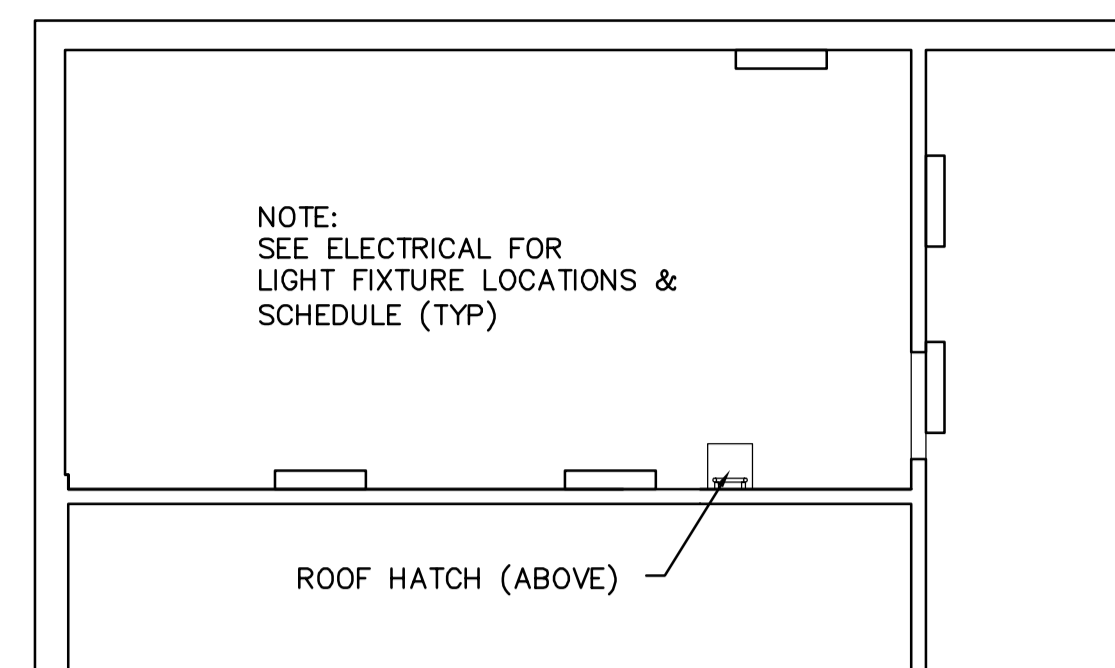


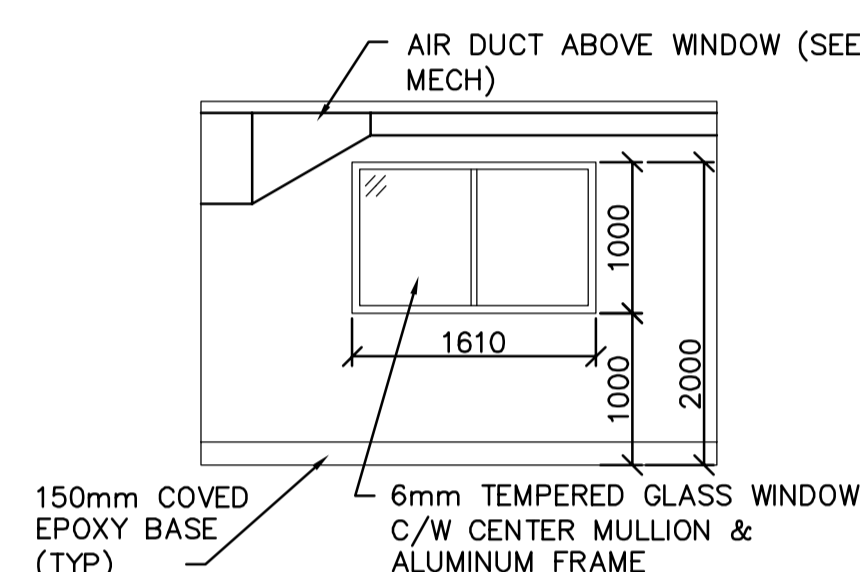
**MAIN FLOOR REFLECTED CEILING PLAN**

SCALE 1:100

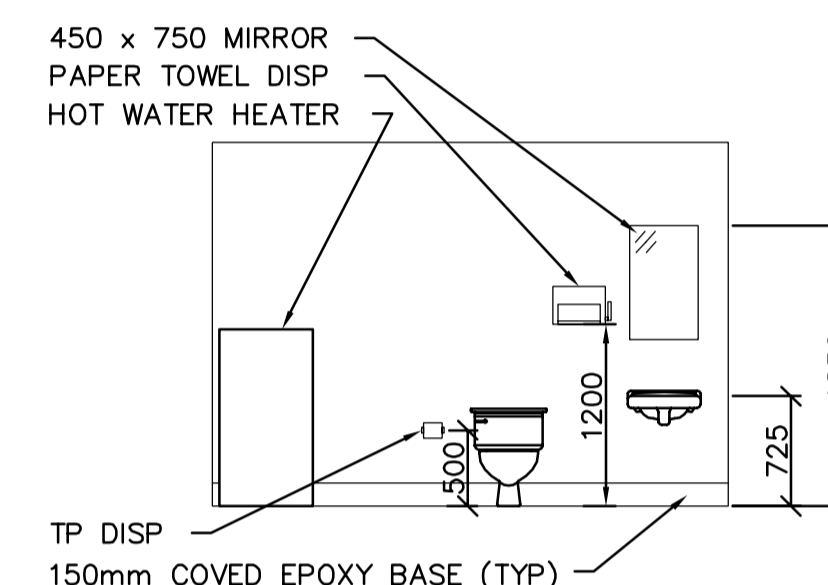


**MEZZANINE FLOOR REFLECTED CEILING PLAN**

SCALE 1:100



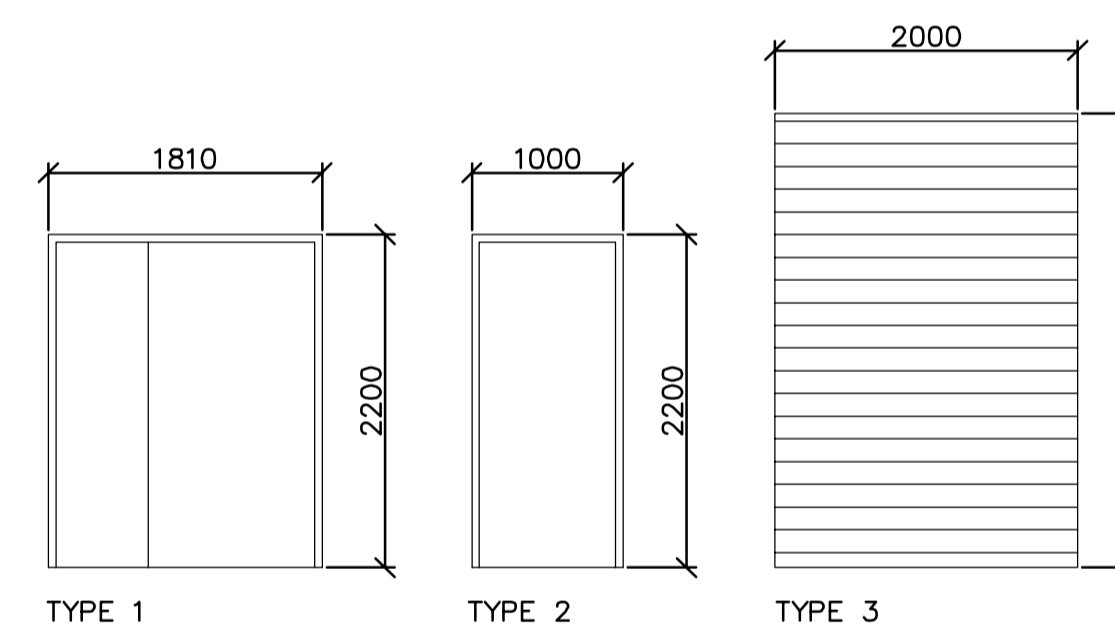
**1 INTERIOR ELEVATION - CONTROL**  
A2.02 SCALE 1:50



**2 INTERIOR ELEVATION - WASHROOM**  
A2.02 SCALE 1:50

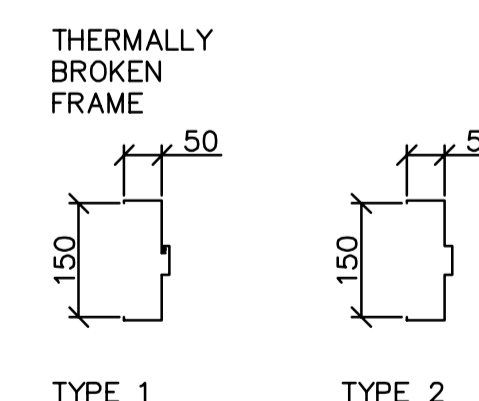
DOOR SCHEDULE																	
DOOR NO	TO ROOM	SIZE	DOOR				FRAME				HDW GROUP	FIRE RATING	GRILLES	COMMENTS			
			SWNG	TYPE	MAT	CORE	FINISH	COLOUR	PROFILE	MAT					TYPE	FINISH	COLOUR
D101	CORRIDOR	45x1000x2150	RHR	1	HM	INSUL	PT	A	1	HM	WLD	PT	A	1	N/A	N/A	RHR ACTIVE
D102	WASHROOM	45x900x2150	LH	2	HM	HC	PT	B	2	HM	WLD	PT	B	2	N/A	N/A	19mm UNDERCUT
D103	ELECTRICAL	45x900x2150	LH	2	HM	HC	PT	B	2	HM	WLD	PT	B	5	3/4 HR	N/A	19mm UNDERCUT
D104	CONTROL	45x900x2150	RH	2	HM	HC	PT	B	2	HM	WLD	PT	B	4	N/A	SEE MECH FOR SIZE	19mm UNDERCUT
D105	UV	45x900x2150	LH	2	HM	INSUL	PT	A	1	HM	WLD	PT	B	3	N/A	N/A	
D106	ELECTRICAL	45x2000x3000	OH	3	PANEL	INSUL	PREFIN	A	N/A	N/A	N/A	PREFIN	-	N/A	N/A	N/A	
D201	MECHANICAL	45x900x2150	LH	2	HM	HC	PT	B	2	HM	WLD	PT	B	5	3/4 HR	N/A	
EFFLUENT SAMPLING BUILDING																	
SD101	DRY	45x900x2150	LHR	2	HM	INSUL	PT	A	1	HM	WLD	PT	A	3	N/A	N/A	
SD102	WET	45x900x2150	RHR	2	HM	INSUL	PT	A	1	HM	WLD	PT	A	3	N/A	N/A	

FINISH SCHEDULE																							
ROOM NO	ROOM NAME	FLOOR				WALLS								CEILING				COMMENTS					
		FLOORING		BASE		NORTH		EAST		SOUTH		WEST		MATERIAL		FINISH			HGT	AFF			
		MAT	COLOUR	MAT	COL	MAT	FINISH	COLOUR	MAT	FINISH	COLOUR	MAT	FINISH	COLOUR	MAT	FINISH	COLOUR						
101	CORRIDOR	EPOXY	A	EPXY	CV	A	CB	PT	C	CB	PT	C	CB	PT	C	CB	PT	C	CONC	-	N/A	2400	
102	WASHROOM	EPOXY	A	EPXY	CV	A	CB	PT	C	CB	PT	C	CB	PT	C	CB	PT	C	CONC	-	N/A	2400	
103	ELECTRICAL	EPOXY	A	EPXY	CV	A	CB	PT	C	CB	PT	C	CB	PT	C	CB	PT	C	CONC	-	N/A	VARIES	
104	CONTROL	EPOXY	A	EPXY	CV	A	CB	PT	C	CB	PT	C	CB	PT	C	CB	PT	C	CONC	-	N/A	2400	
105	UV	EPOXY	A	EPXY	CV	A	CB	PT	C	CB	PT	C	CB	PT	C	CB	PT	C	CONC	-	N/A	VARIES	
EFFLUENT SAMPLING BUILDING																							
101	DRY	EPOXY	A	EPXY	CV	A	CB	PT	C	CB	PT	C	CB	PT	C	CB	PT	C	CONC	-	N/A	2600	
102	WET	EPOXY	A	EPXY	CV	A	CB	PT	C	CB	PT	C	CB	PT	C	CB	PT	C	CONC	-	N/A	2600	



**DOOR TYPES**

SCALE 1:50



**FRAME TYPES**

SCALE 1:10

**HARDWARE SCHEDULE**

GROUP	DOOR	ITEM	DESCRIPTION	MANUFACTURER	QTY
GROUP 1	D101	6	BUTT HINGES	TA 314 41-1/2"x4" NRP	McKINNEY
		1	LOCKSET	AU5407 x ASA	YALE
		2	FLUSH BOLTS	F65	STANDARD METAL
		2	FLOOR STOP	S113	STANDARD METAL
		1	WEATHERSTRIP	W29 1/8 + 2/7	KN CROWDER
		1	DOOR SWEEP	W245 - 36"	KN CROWDER
		1	THRESHOLD	CT11 - 72"	KN CROWDER
		1	ASTRAGAL	W40P - 84"	KN CROWDER
		1	CLOSER	7500	NORTON
		1	CLOSER		
GROUP 2	D102	3	BUTT HINGES	TA 714 4-1/2"x4" NRP	McKINNEY
		1	PRIVACY	AU5407 x ASA	YALE
		1	FLOOR STOP	S102	STANDARD METAL
		1	CLOSER	8301	NORTON
GROUP 3	D105, SD101, SD102	3	BUTT HINGES	TA 314 4-1/2"x4" NRP	McKINNEY
		1	LOCKSET	AU5407 x ASA	YALE
		1	WALL STOP	S122	STANDARD METAL
		1	WEATHERSTRIP	W29 1/3 + 2/7	KN CROWDER
		1	DOOR SWEEP	W245 - 36"	KN CROWDER
		1	THRESHOLD	CT11 - 36"	KN CROWDER
GROUP 4	D104	3	BUTT HINGES	TA 714 4-1/2"x4" NRP	McKINNEY
		1	LOCKSET	AU5402 x ASA	YALE
		1	FLOOR STOP	S110	STANDARD METAL
GROUP 5	D103, D201 (RATED)	3	BUTT HINGES	TA 714 4-1/2"x4" NRP	McKINNEY
		1	LOCKSET	AU5402 x ASA	YALE
		1	FLOOR STOP	S110	STANDARD METAL



B.M. ELEV.	<b>EARTH TECH</b>		ENGINEER'S SEAL	<b>THE CITY OF WINNIPEG</b>	
	Earth Tech (Canada) Inc. Winnipeg, Manitoba 204.477.5381		ORIGINAL SIGNED BY	Winnipeg WATER AND WASTE DEPARTMENT	
	DESIGNED BY: NC	CHECKED BY: NC, GGP	NEIL COOPER	<b>NEWPCC</b>	
	DRAWN BY: LK	APPROVED BY: DT	FEB. 18/05	<b>UV DISINFECTION FACILITY</b>	
HOR. SCALE: AS NOTED		RELEASED FOR CONSTRUCTION BY: T. KJARTANSON	CONSULTANT DRAWING NO. 66303D-CA2.02	ARCHITECTURAL REFLECTED CEILING PLANS, INTERIOR ELEVATION, & SCHEDULES	
VERTICAL SCALE: AS NOTED				CITY FILE NUMBER	
NO. REVISIONS	DATE	BY	DATE	SHEET 3 OF 8	
0	ISSUED FOR TENDER	05/02/18	LK	CITY DRAWING NUMBER	
			02004/12/08	2005-02-18	