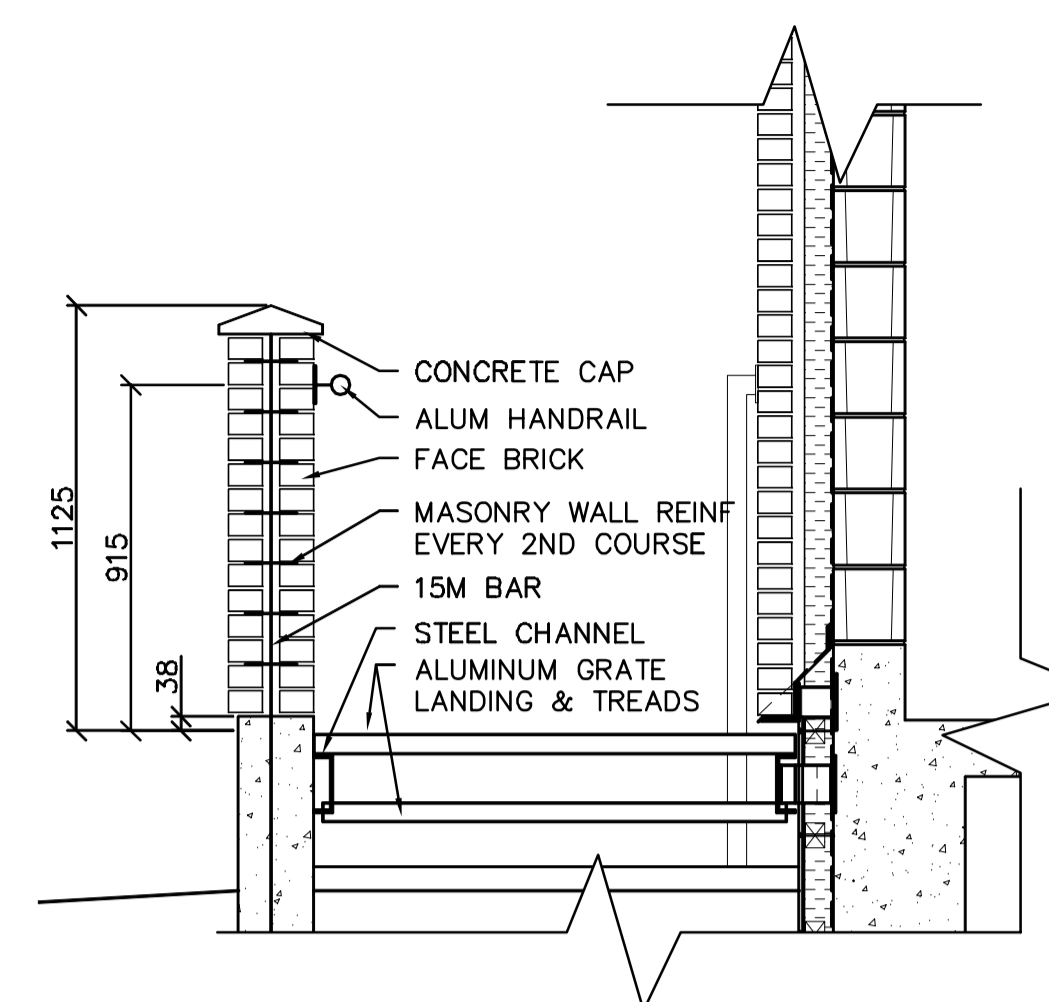
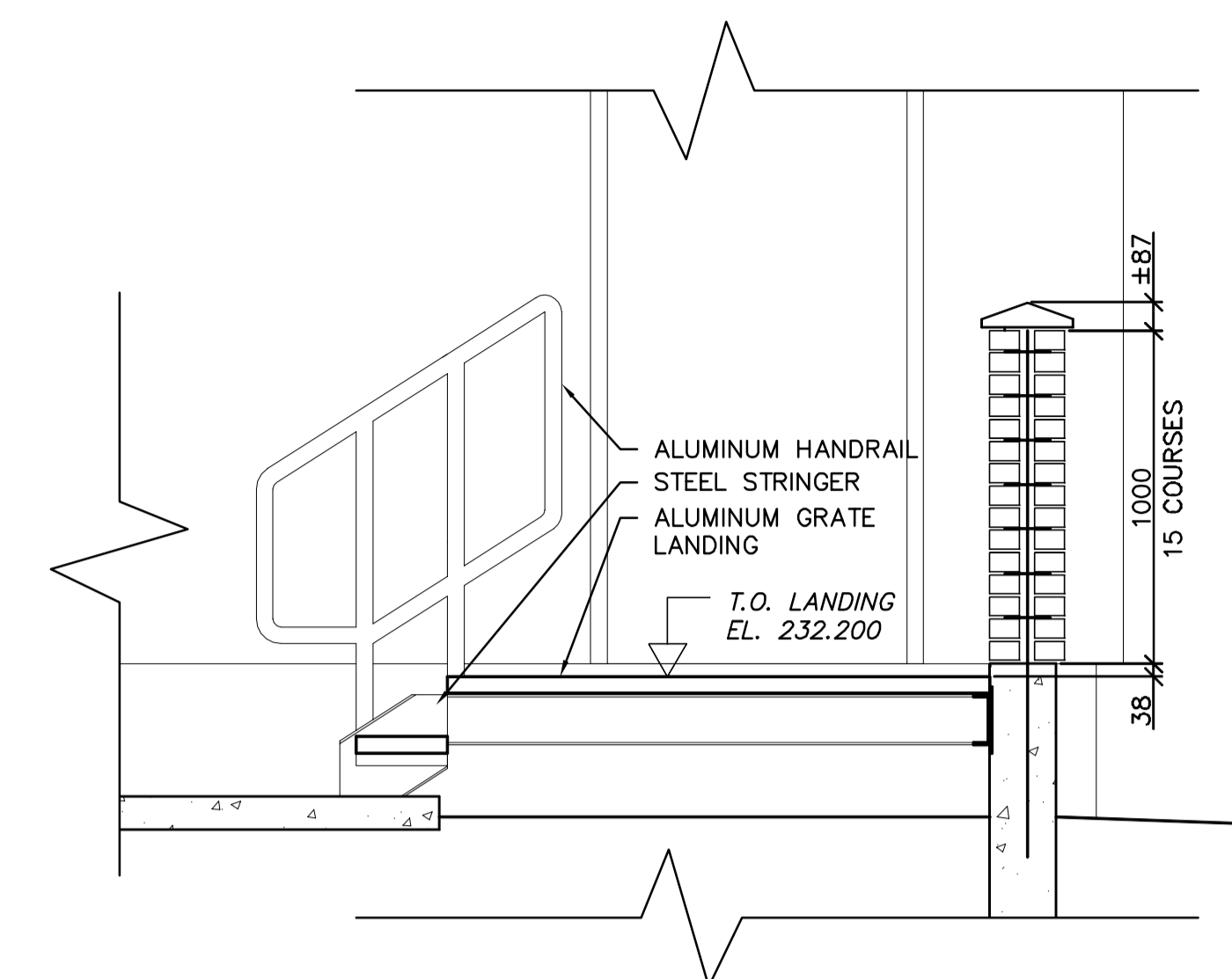


**1 STAIR SECTION**  
A2.01 SCALE 1:20

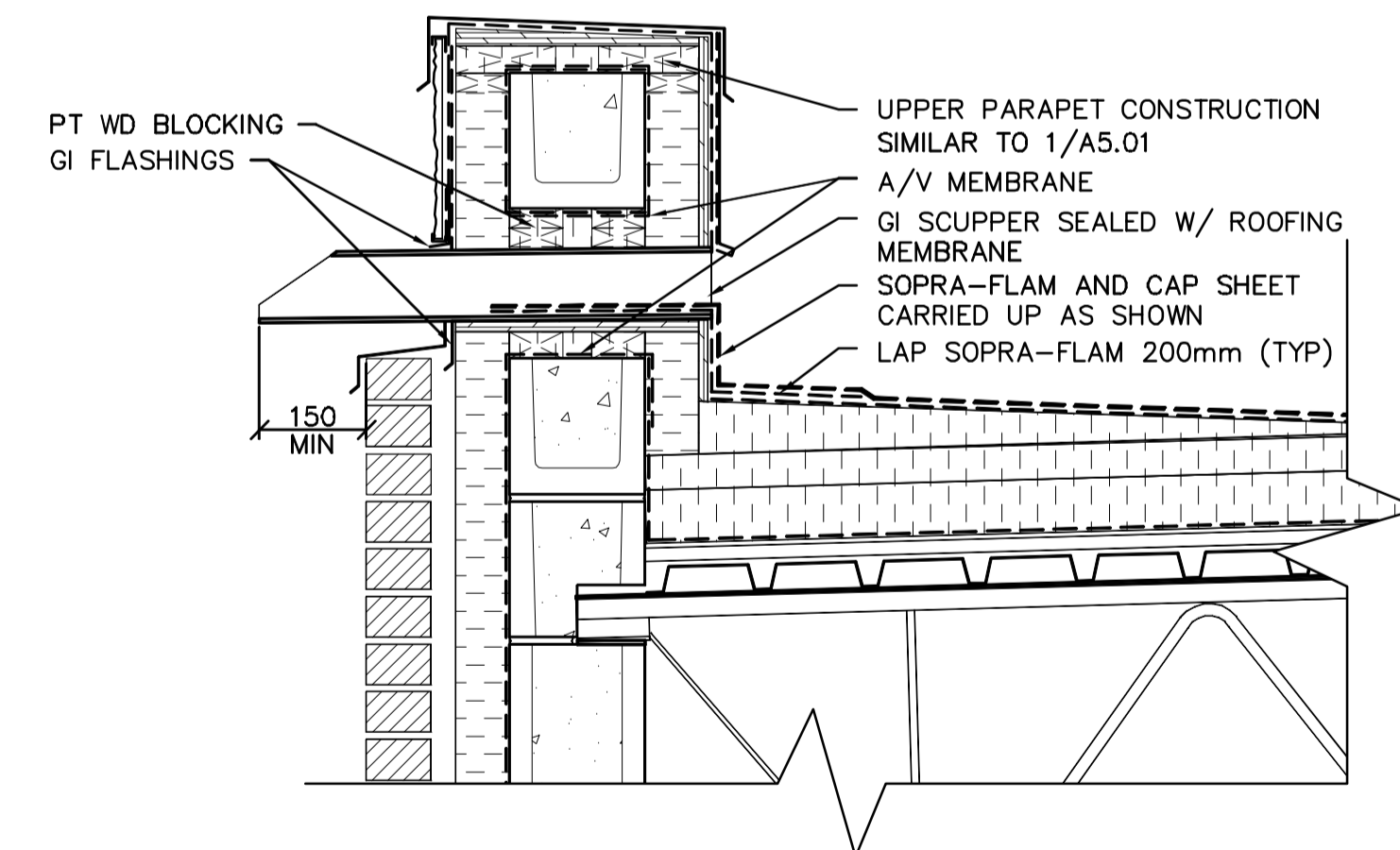


**2 SECTION THROUGH EXT EXIT STAIR**  
A2.01 SCALE 1:20

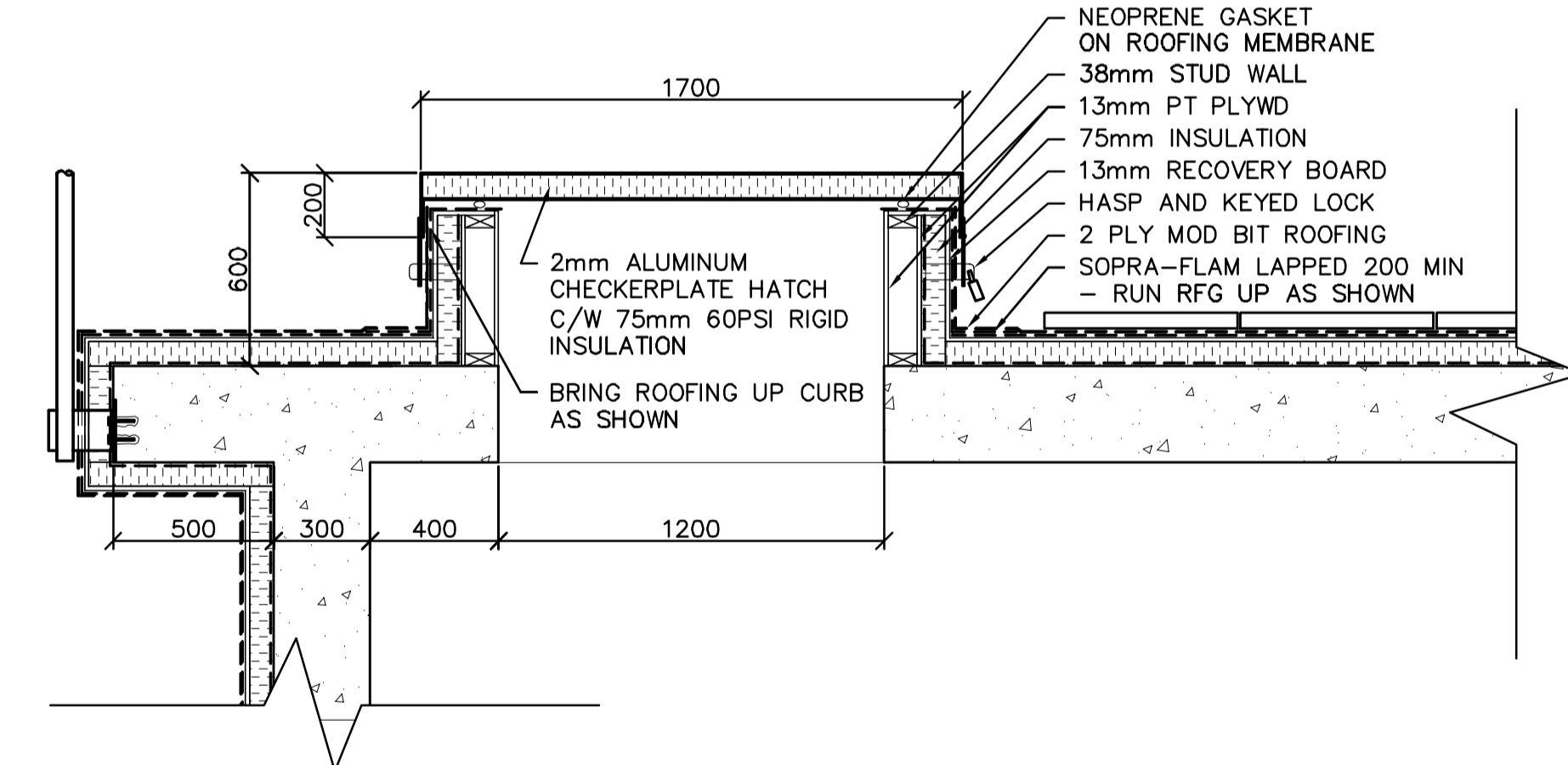


**3 SECTION THROUGH EXT EXIT STAIR**  
A2.01 SCALE 1:20

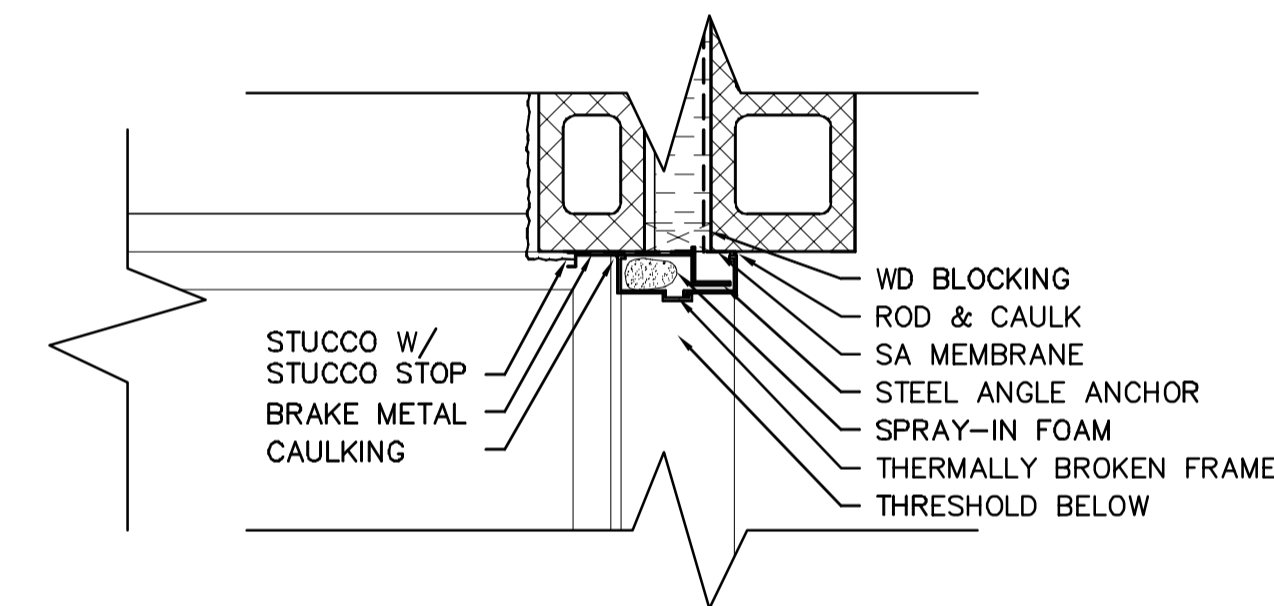
NOTE:  
SEE STRUCTURAL FOR STAIR  
CONSTRUCTION DETAILS (TYP)



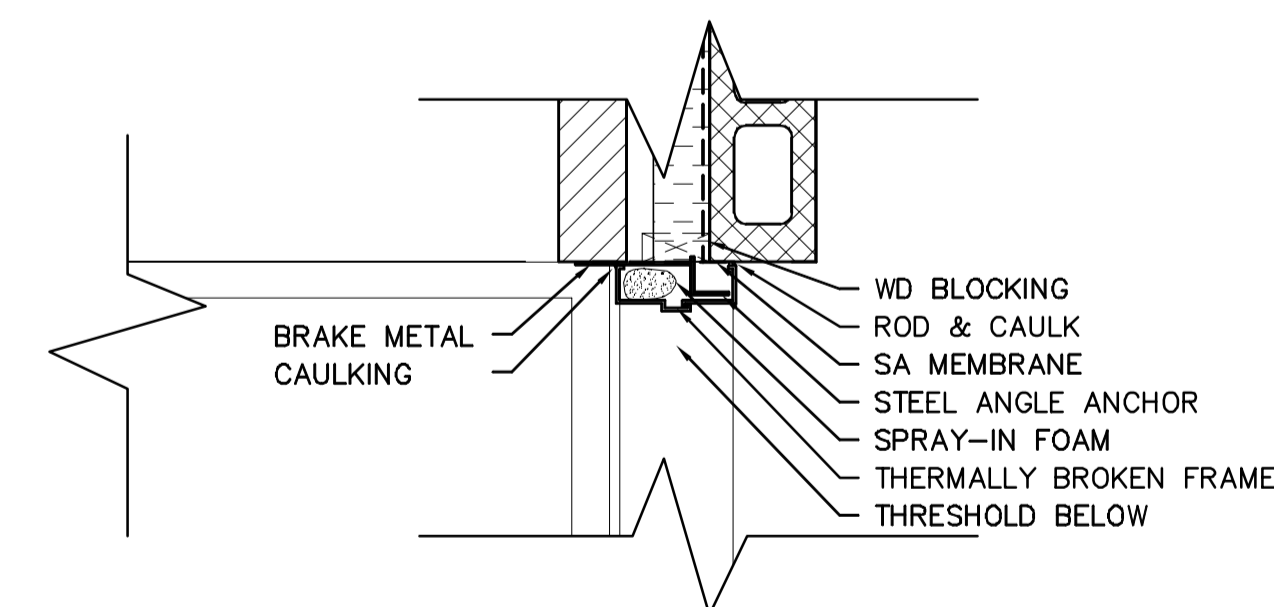
**4 TYPICAL SCUPPER DETAIL**  
A2.01 SCALE 1:10



**5 PUMP STATION HATCH DETAIL**  
A2.01 SCALE 1:20



**6 DETAIL @ DOOR D101 JAMB**  
A2.01 SCALE 1:10



**7 DETAIL @ DOOR D105 JAMB**  
A2.01 SCALE 1:10



B.M. ELEV.	<b>EARTH TECH</b>		ENGINEER'S SEAL ORIGINAL SIGNED BY NEIL COOPER FEB. 18/05 CONSULTANT DRAWING NO. 66303D-CA5.02	<b>THE CITY OF WINNIPEG</b> Winnipeg WATER AND WASTE DEPARTMENT	
	Earth Tech (Canada) Inc. Winnipeg, Manitoba 204.477.5381			CITY FILE NUMBER	
	DESIGNED BY: NC	CHECKED BY: NC, GGP		<b>NEWPCC</b>	
	DRAWN BY: LK	APPROVED BY: DT		<b>UV DISINFECTION FACILITY</b>	
HOR. SCALE: AS NOTED		RELEASED FOR CONSTRUCTION BY: T. KJARTANSON		ARCHITECTURAL	
VERTICAL SCALE: AS NOTED		DATE: 02004/12/08		STAIR SECTIONS & DETAILS	
NO. REVISIONS	DATE	BY	DATE	SHEET 7 OF 8	
0	ISSUED FOR TENDER	05/02/18	LK	CITY DRAWING NUMBER	