

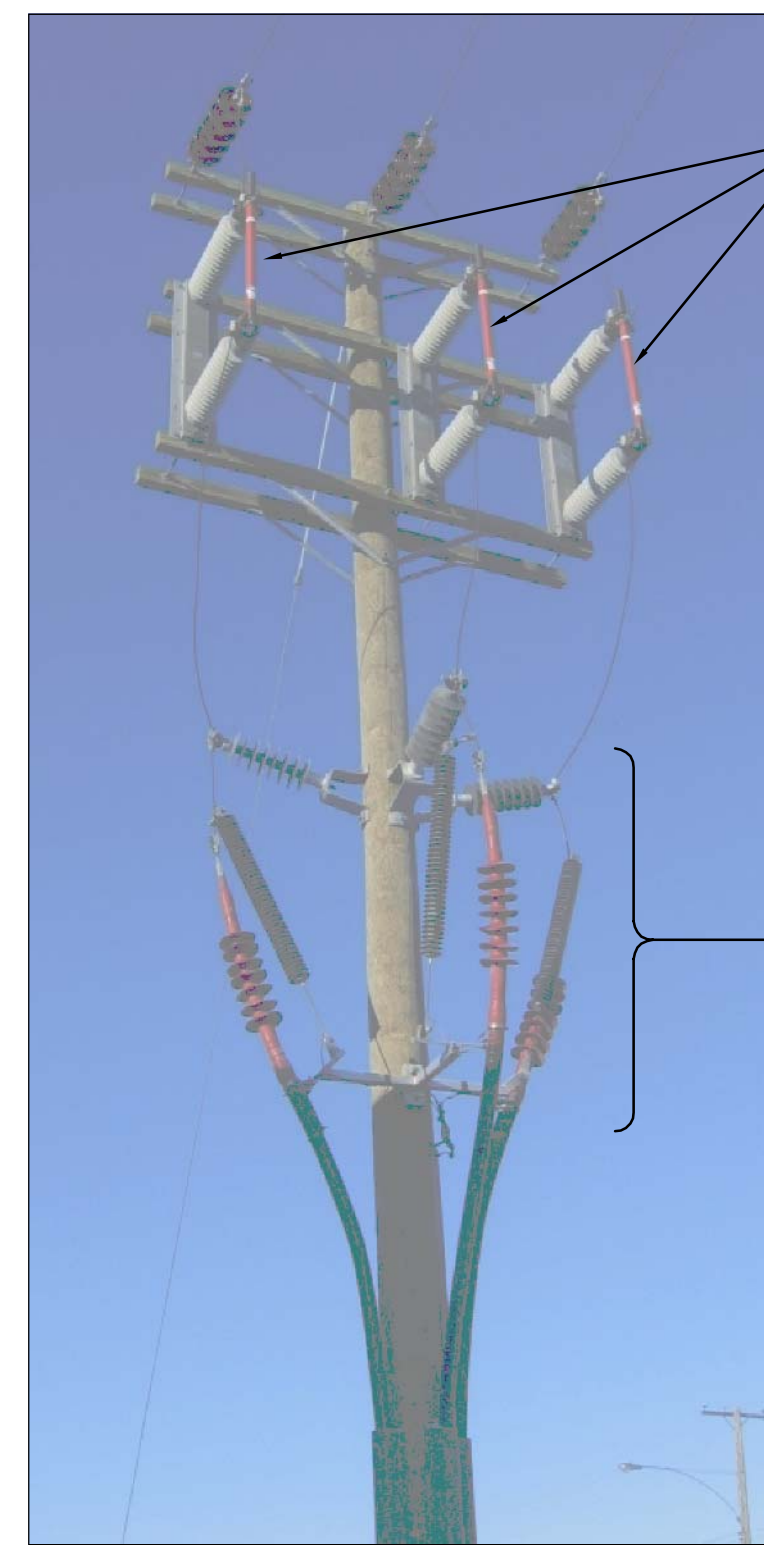


VERTICAL POLE MOUNT  
LOAD BREAK SWITCH



VERTICAL POLE MOUNT  
LOAD BREAK SWITCH

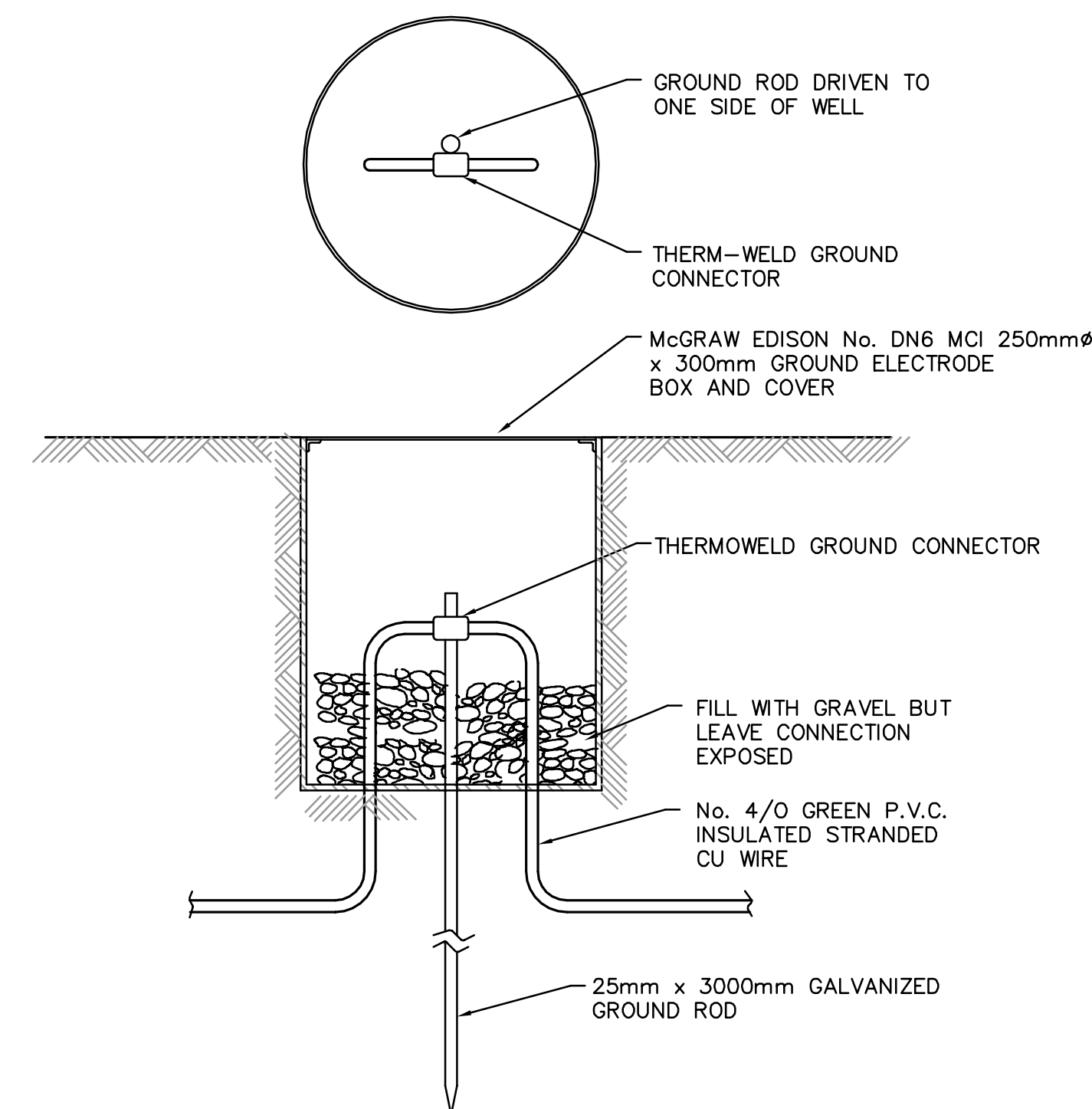
**2** GANG OPERATED SWITCH  
E1.01 SCALE N.T.S.



66kV FUSES

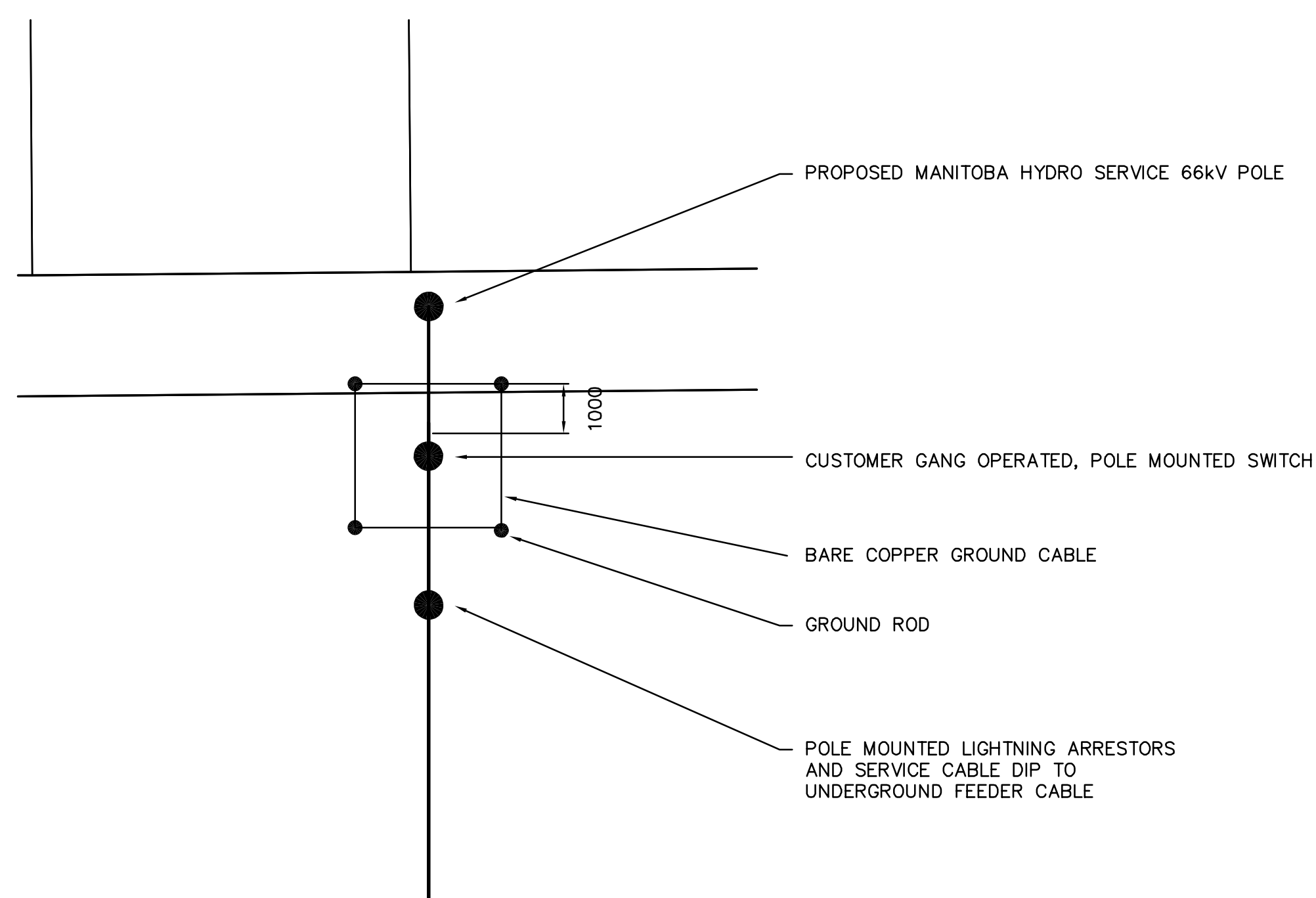
CABLE DIP INSTALLATION

**3** DIP POLE DETAIL  
E1.01 SCALE N.T.S.

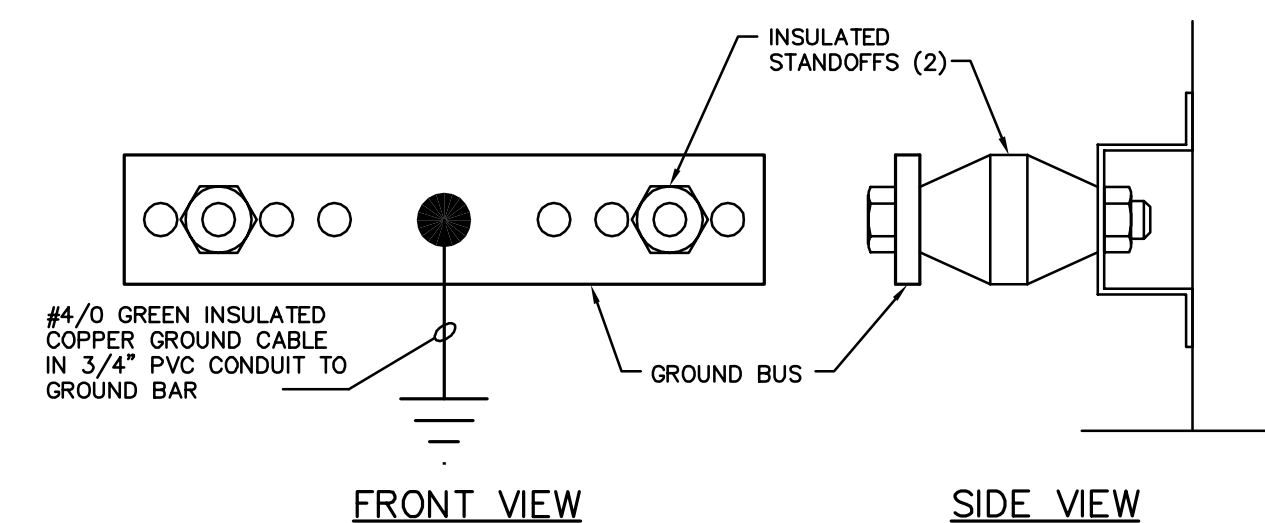


**4** GROUND WELL  
SCALE N.T.S.

**1** GANG OPERATED SWITCH  
E1.01 SCALE N.T.S.



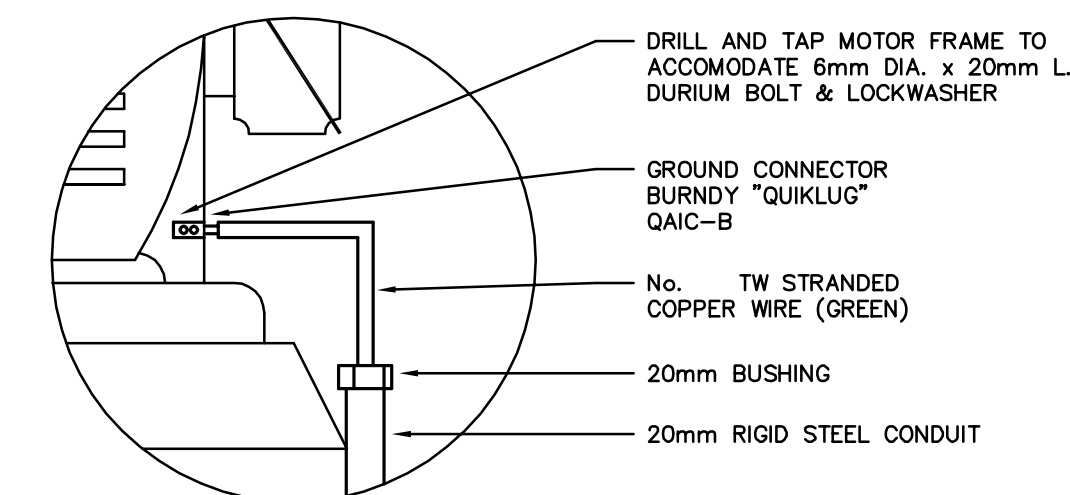
**A** GANG OPERATED SWITCH POLE GROUNDING  
E1.01 SCALE N.T.S.



**5** GROUNDING BAR DETAIL  
E2.02 SCALE N.T.S.

NOTES

1. NEW COPPER GROUND BAR ( 800x100x6 - CONTROL ROOM, 1000x100x6 - ELECTRICAL ROOM) WITH HOLES PREPUNCHED FOR DOUBLE BOLT CONNECTORS AND INSULATED STANDOFFS.
2. CONNECT NEW #4/0 GROUND CABLE.
3. GROUND CONNECTORS TO BE TAGGED ON BOTH ENDS IDENTIFYING LOCATION AND DEVICE.
4. GROUND CABLE TO BE INSTALLED ON SUPPORTS WHERE POSSIBLE. PROVIDE SUPPORTS WHERE NEEDED.



**6** MOTOR GROUNDING DETAIL  
SCALE N.T.S.



B.M. ELEV.	<b>EARTH TECH</b>		ENGINEER'S SEAL ORIGINAL SIGNED BY P. STRYK FEB. 18/05	<b>THE CITY OF WINNIPEG</b> Winnipeg WATER AND WASTE DEPARTMENT	
	DESIGNED BY GSM	CHECKED BY PS		<b>NEWPCC - SECONDARY EFFLUENT UV DISINFECTION FACILITY</b>	
	DRAWN BY CPG	APPROVED BY DT	CONSULTANT DRAWING NO. 66303D-CE1.08		CITY FILE NUMBER
	HOR. SCALE: AS NOTED VERTICAL SCALE: AS NOTED		RELEASED FOR CONSTRUCTION BY: T. KJARTANSON		SHEET # OF #S
0	ISSUED FOR TENDER	05/02/18	JEH		CITY DRAWING NUMBER
NO. REVISIONS	DATE	BY	DATE	2005/01/13	2005-02-18