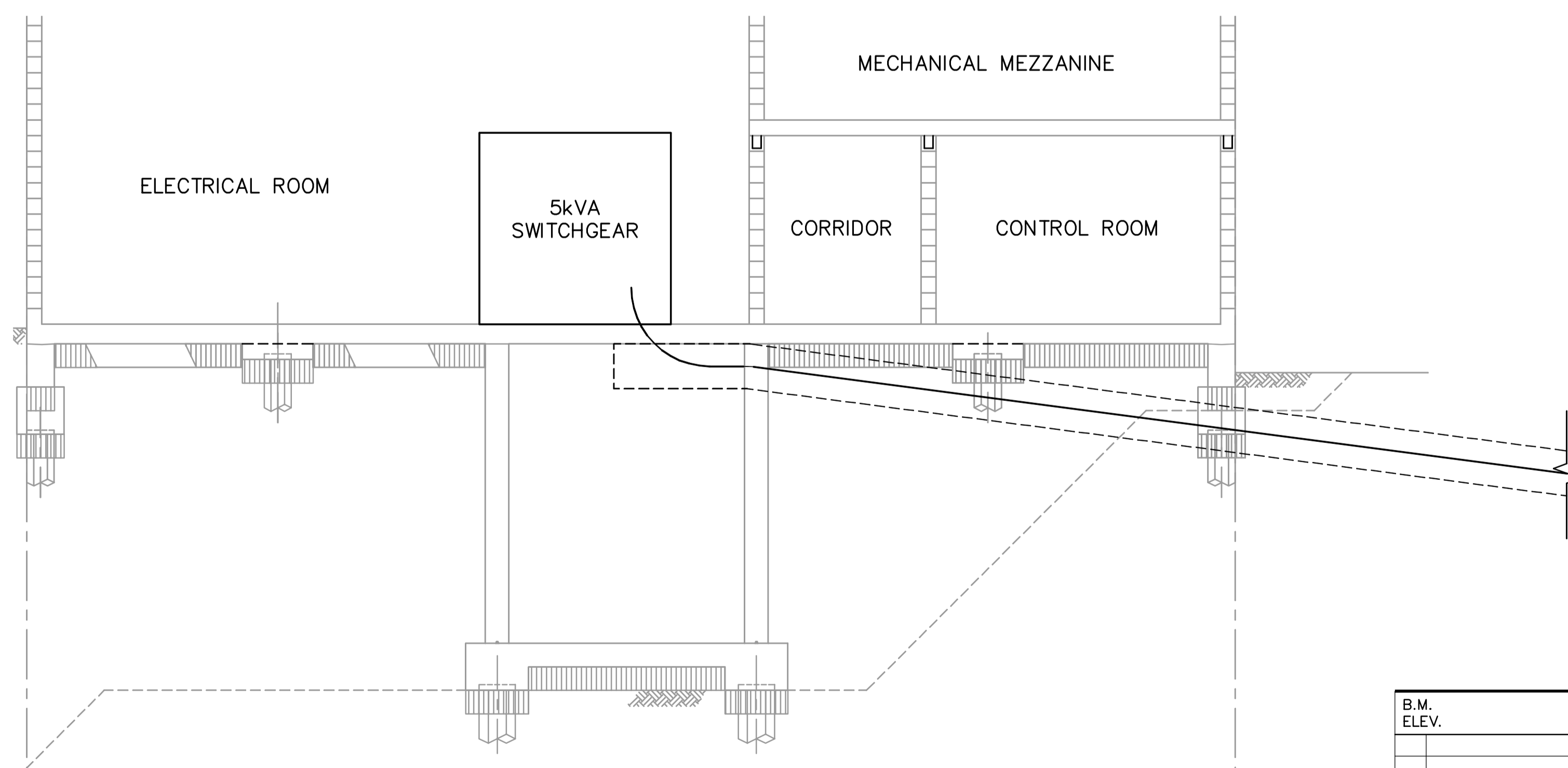
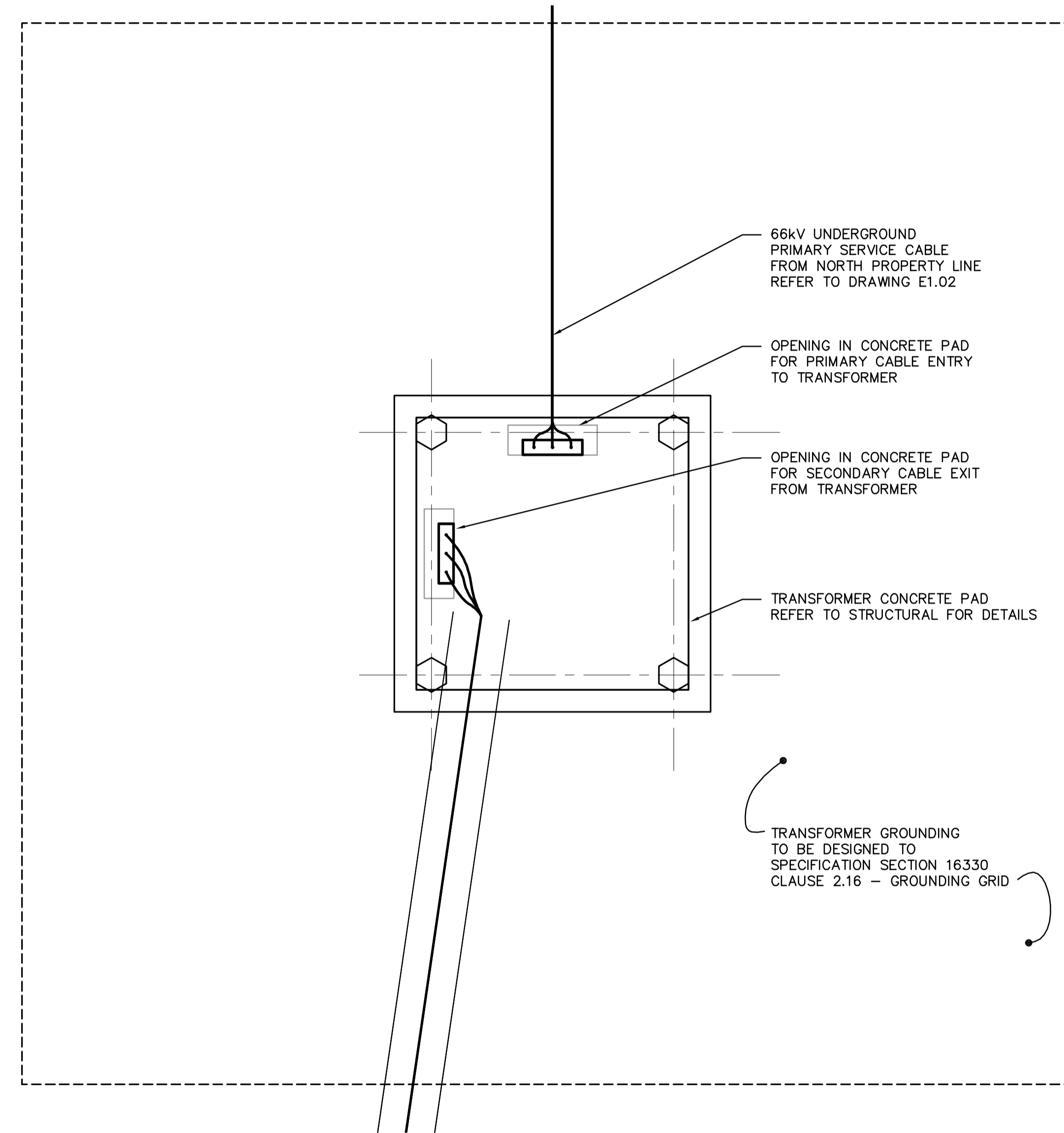


F SECTION
E1.02 SCALE 1:50



G SECTION
E1.02 SCALE 1:50



H 5MVA PAD MOUNTED TRANSFORMER
E1.01 SCALE 1:50



B.M. ELEV.	EARTH TECH Earth Tech (Canada) Inc. Winnipeg, Manitoba 204.477.5381		ENGINEER'S SEAL	THE CITY OF WINNIPEG Winnipeg WATER AND WASTE DEPARTMENT
	DESIGNED BY: GSN	CHECKED BY: PS	ORIGINAL SIGNED BY: P. STRYK	
	DRAWN BY: CPG	APPROVED BY: DT	FEB. 18/05	CITY FILE NUMBER
	HOR. SCALE: AS NOTED	RELEASED FOR CONSTRUCTION BY: T. KJARTANSON	CONSULTANT DRAWING NO. 66303D-CE1.09	SHEET # OF #S
0 ISSUED FOR TENDER	05/02/18	JEH		CITY DRAWING NUMBER
NO. REVISIONS	DATE	BY	DATE 2005/01/20	ELECTRICAL SITE SECTIONS & DETAILS SHEET 3 OF 3
			DATE 2005-02-18	