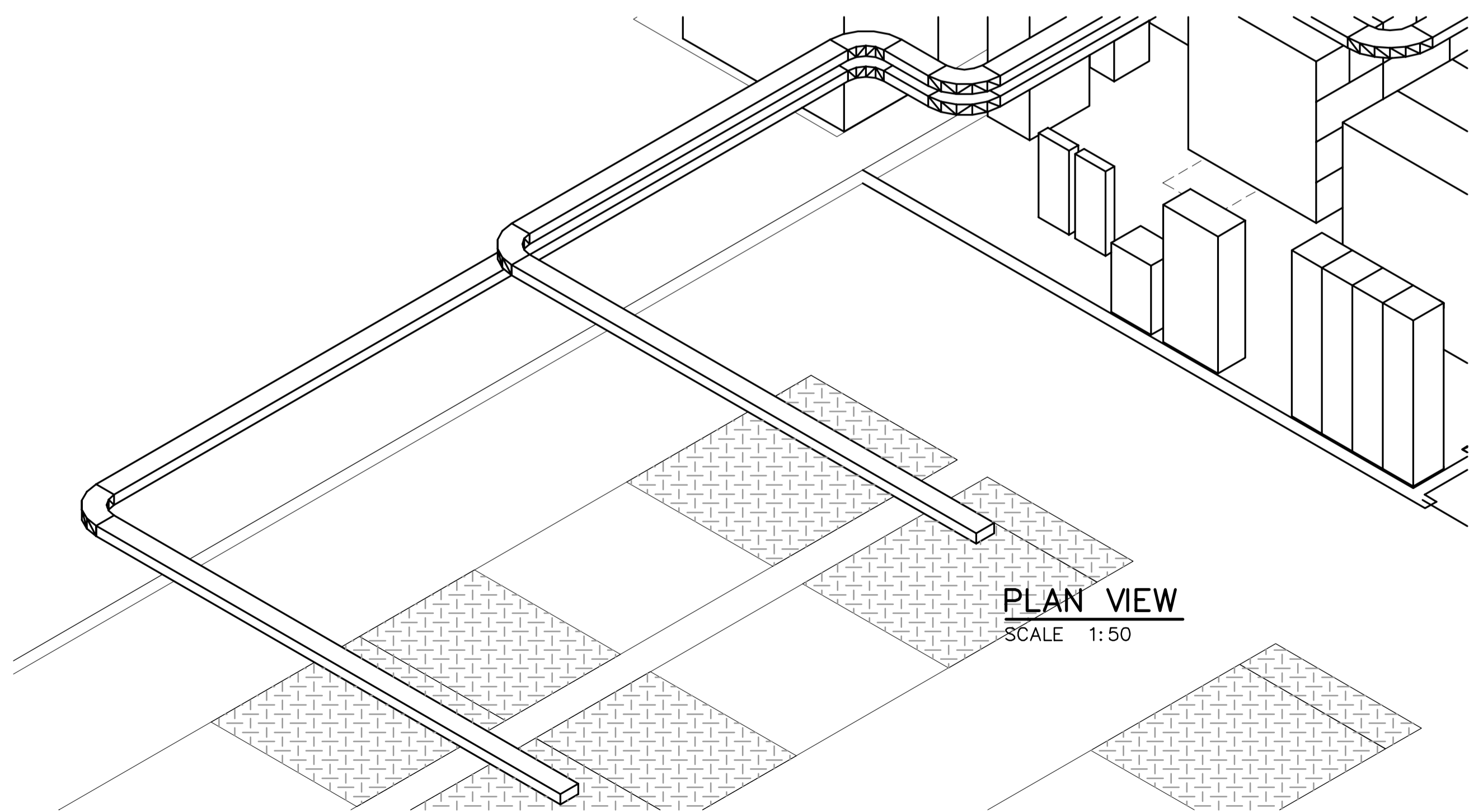
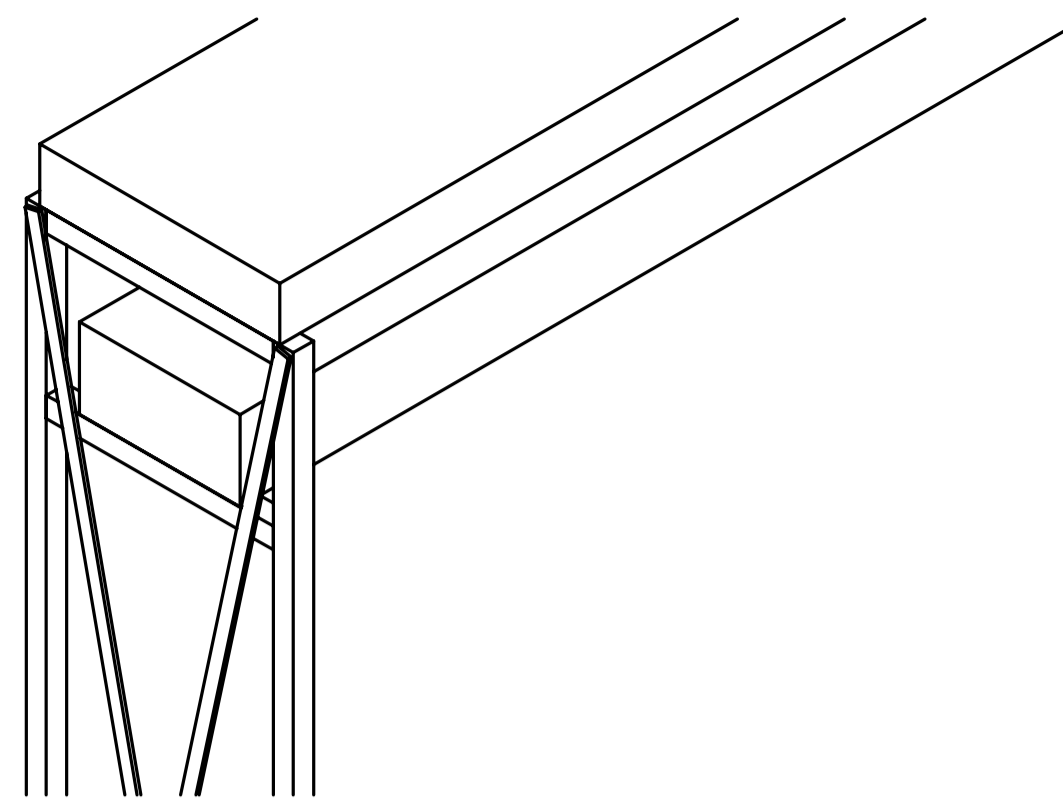


**A** NW ISOMETRIC  
E2-06 SCALE 1:50

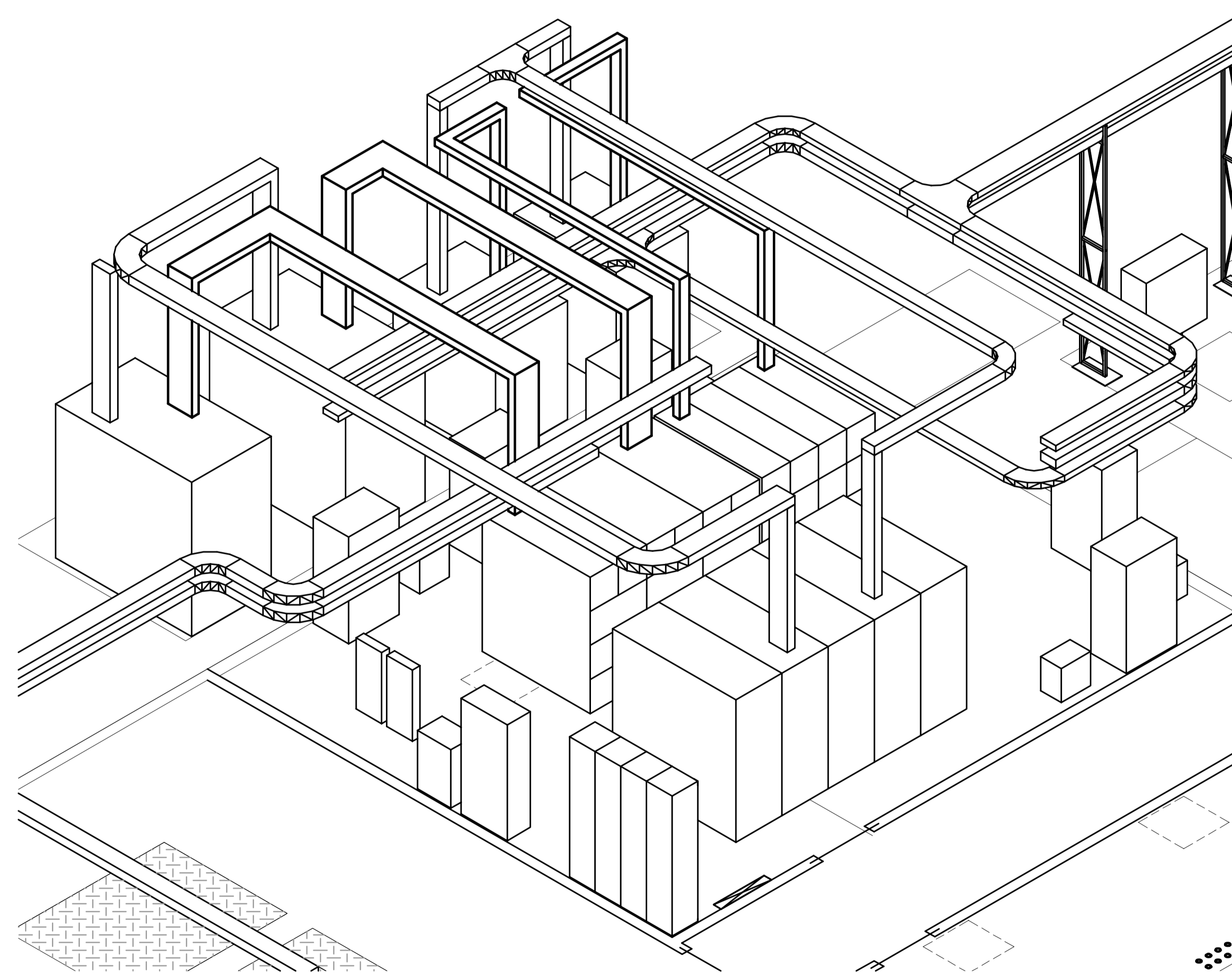


**C** SW ISOMETRIC - TRAY IN PROCESS AREA  
E2-05 SCALE 1:50

**PLAN VIEW**  
SCALE 1:50



**D** NE ISOMETRIC - TRAY AT PUMPS  
E2-06 SCALE 1:10



**B** NE ISOMETRIC  
E2-06 SCALE 1:50



B.M. ELEV.	<b>EARTH TECH</b> <small>Earth Tech (Canada) Inc. Winnipeg, Manitoba 204.477.5381</small>		ENGINEER'S SEAL	<b>THE CITY OF WINNIPEG</b> Winnipeg WATER AND WASTE DEPARTMENT	CITY FILE NUMBER
	DESIGNED BY: GSN	CHECKED BY: PS	ORIGINAL SIGNED BY: P. STRYK		SHEET 2 OF 2
	DRAWN BY: CPG	APPROVED BY: DT	FEB. 18/05	<b>NEWPCC - SECONDARY EFFLUENT UV DISINFECTION FACILITY</b>	CITY DRAWING NUMBER
	HOR. SCALE: 1:50 VERTICAL SCALE: 1:50	RELEASED FOR CONSTRUCTION BY: T. KJARTANSON	CONSULTANT DRAWING NO. 66303D-CE2.06		ELECTRICAL ROOM EQUIPMENT AND CABLE TRAY ARRANGEMENTS
0	ISSUED FOR TENDER	05/02/18	JEH		
NO. REVISIONS	DATE	BY	DATE	2005/02/04	DATE 2005-02-18