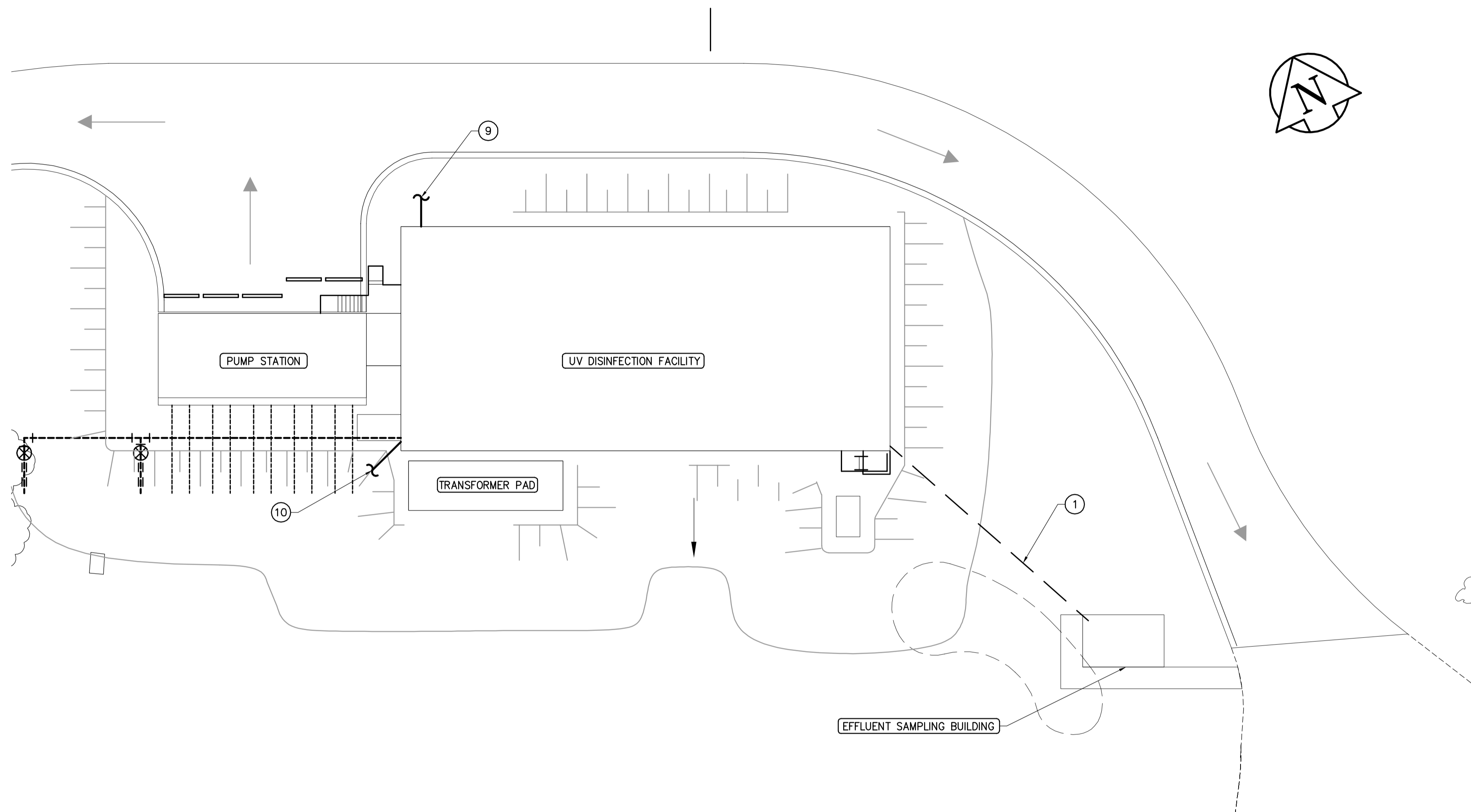
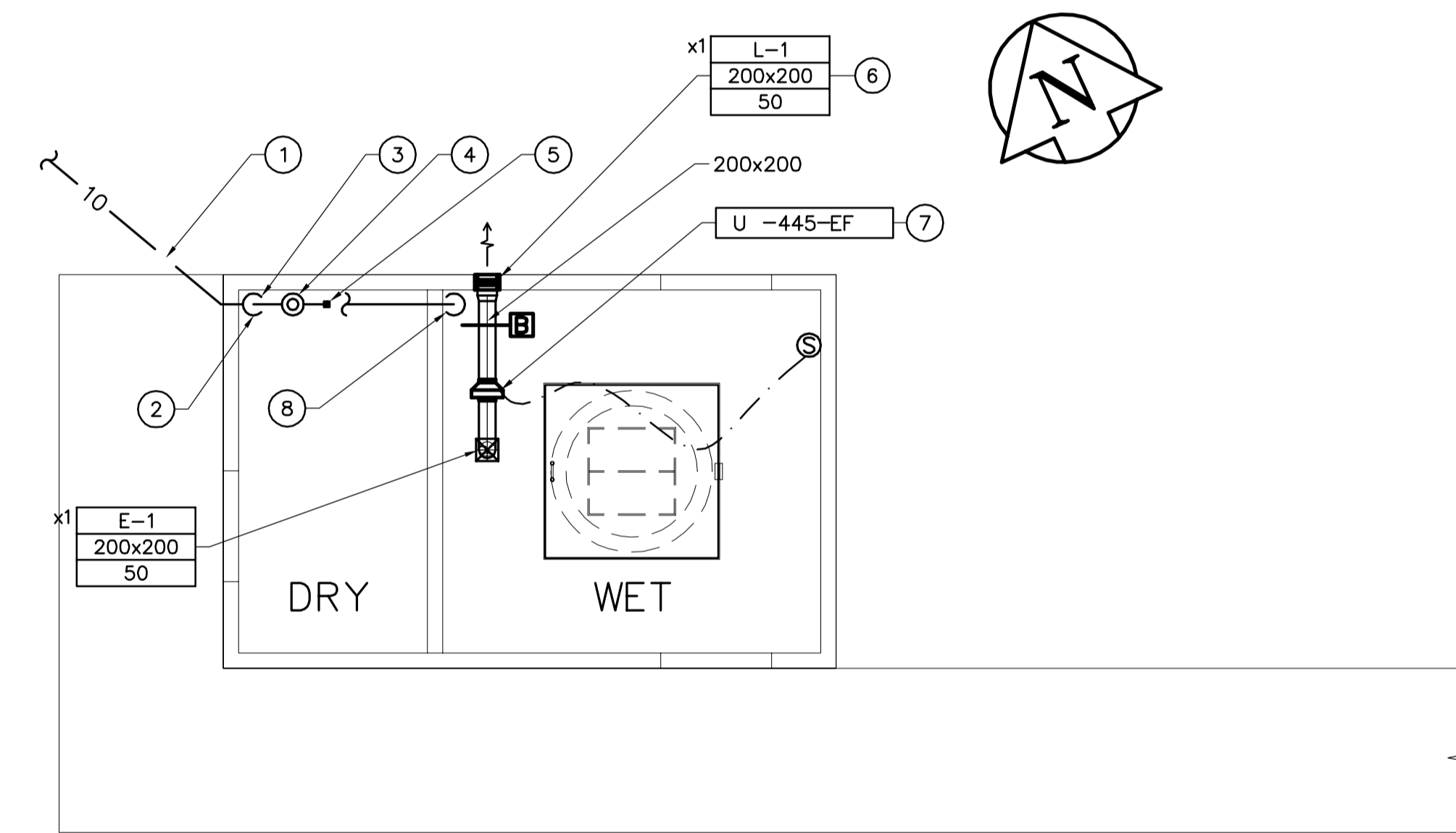


**DRAWING NOTES**

- ① 100 CA LINE RUNNING APPROXIMATELY 900mm BELOW GRADE. SEE DWG CM2.01. REFER TO UNDERGROUND SERVICES SPECIFICATIONS FOR EXACT EXCAVATION AND BACK FILLING REQUIREMENTS.
- ② RISE TO DRIP LEG IN BUILDING. SEE DETAIL ON DWG CM7.02.
- ③ 100 CA LINE RUNNING INDOORS. CONFIRM WITH CITY OF WINNIPEG INSTALLATION HEIGHT REQUIREMENTS.
- ④ COALESCING FILTER.
- ⑤ PROVIDE COMPRESSED AIR CONNECTION FOR CITY OF WINNIPEG SAMPLING EQUIPMENT. SEE DETAIL ON DWG CM7.02.
- ⑥ INSECT SCREEN SHALL BE INSTALLED WITH LOUVER.
- ⑦ NEW EXHAUST AIR FAN c/w WALL SWITCH. MOUNT ON UNDERSIDE OF CEILING.
- ⑧ 150 CONDENSATE DRAIN. ROUTE DRAIN PIPE THROUGH WALL TO WET WELL.
- ⑨ 400 INCOMING DOMESTIC WATER SERVICE. CONTINUED FROM UNDERGROUND SERVICES DRAWINGS.
- ⑩ 1500 SANITARY MAIN. SEE UNDERGROUND SERVICES DRAWINGS FOR CONTINUATION.



1 MECHANICAL SITE PLAN  
M1.02 SCALE 1:200



2 EFFLUENT SAMPLING BUILDING MECHANICAL  
M1.02 SCALE 1:50



B.M. ELEV.	<b>EARTH TECH</b> Earth Tech (Canada) Inc. Winnipeg, Manitoba 204.477.5381		ENGINEER'S SEAL	<b>THE CITY OF WINNIPEG</b> Winnipeg WATER AND WASTE DEPARTMENT	
	DESIGNED BY: PL	CHECKED BY: AMA	ORIGINAL SIGNED BY: P.V. LAITINEN	CITY FILE NUMBER	
	DRAWN BY: DL	APPROVED BY: DT	FEB. 18/05	SHEET 2 OF 18	
	HOR. SCALE: AS NOTED VERTICAL SCALE:	RELEASED FOR CONSTRUCTION BY: T. KJARTANSON	CONSULTANT DRAWING NO. 66303D-CM1.02	CITY DRAWING NUMBER	
0 ISSUED FOR TENDER	05/02/18 JEH	DATE 2005/01/20	DATE 2005-02-18	<b>NEWPCC - SECONDARY EFFLUENT UV DISINFECTION FACILITY</b> MECHANICAL UV FACILITY SITE PLAN EFFLUENT SAMPLING BUILDING MECHANICAL	