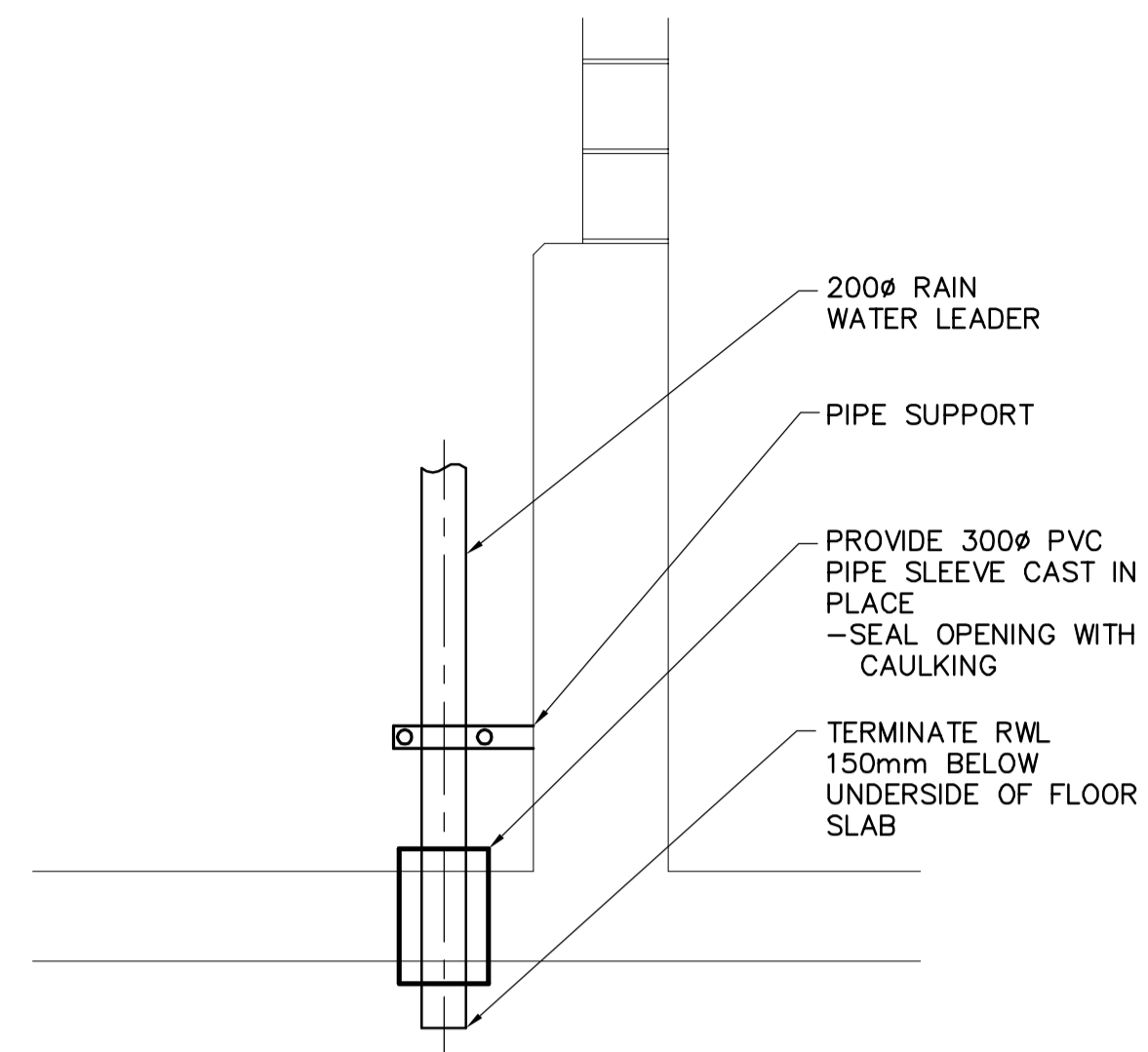
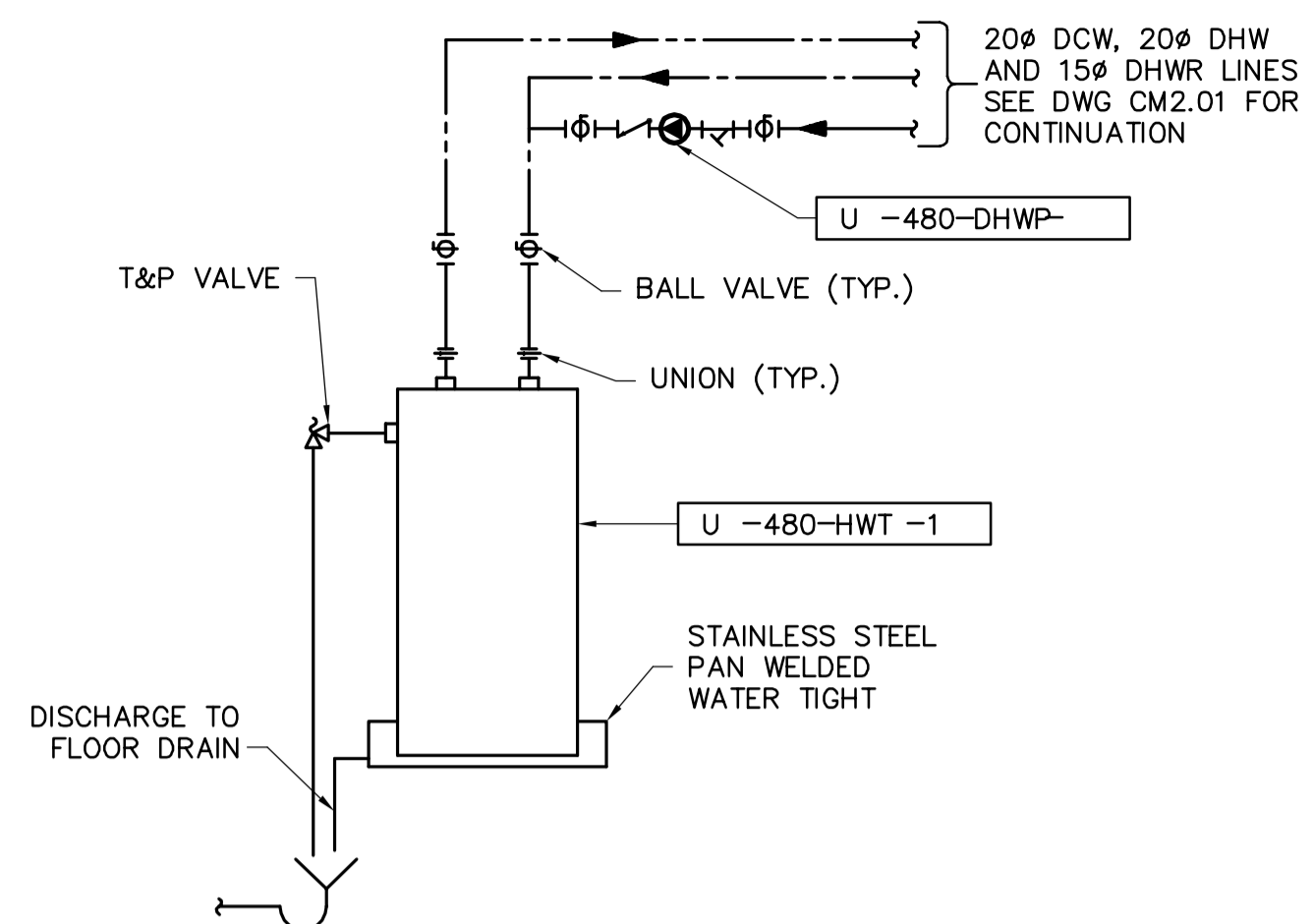


1 WATER SERVICE ENTRY DETAIL  
M7.01 SCALE N.T.S.

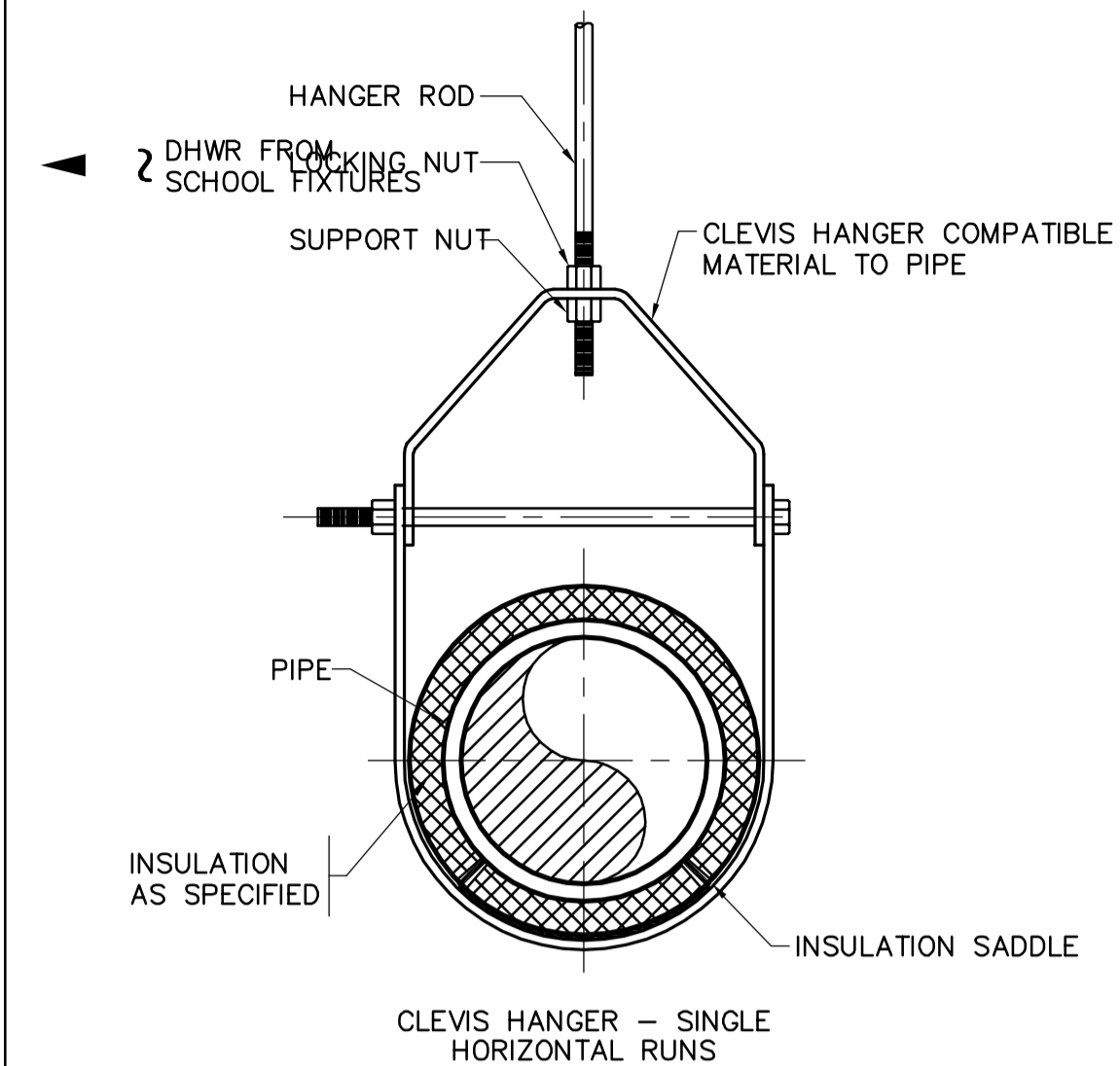


2 TYPICAL PIPE SLEEVE DETAIL  
M7.01 SCALE N.T.S.

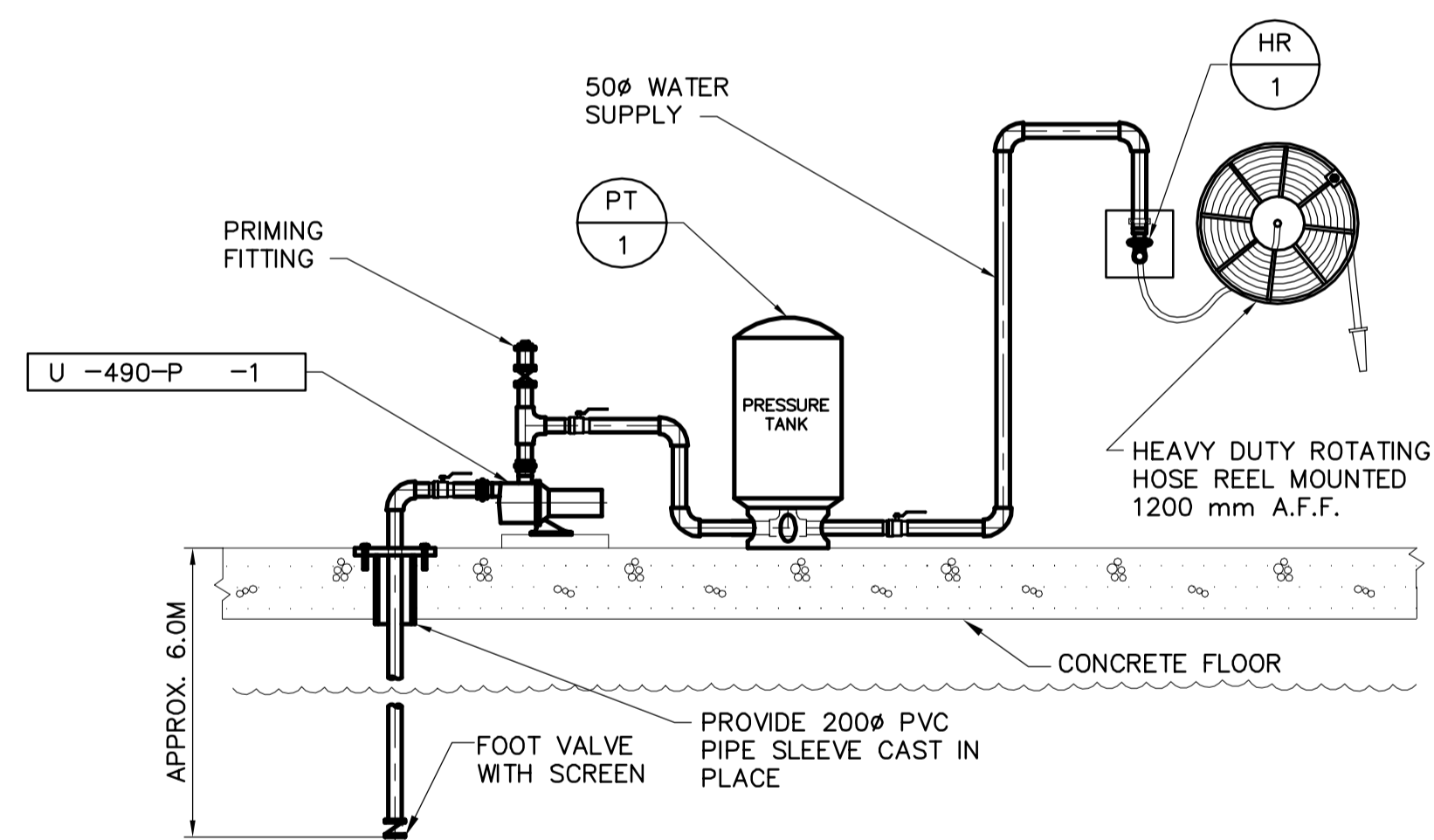


NOTE:  
1) SEE MECHANICAL DRAWINGS FOR INSTALLATION REQUIREMENTS

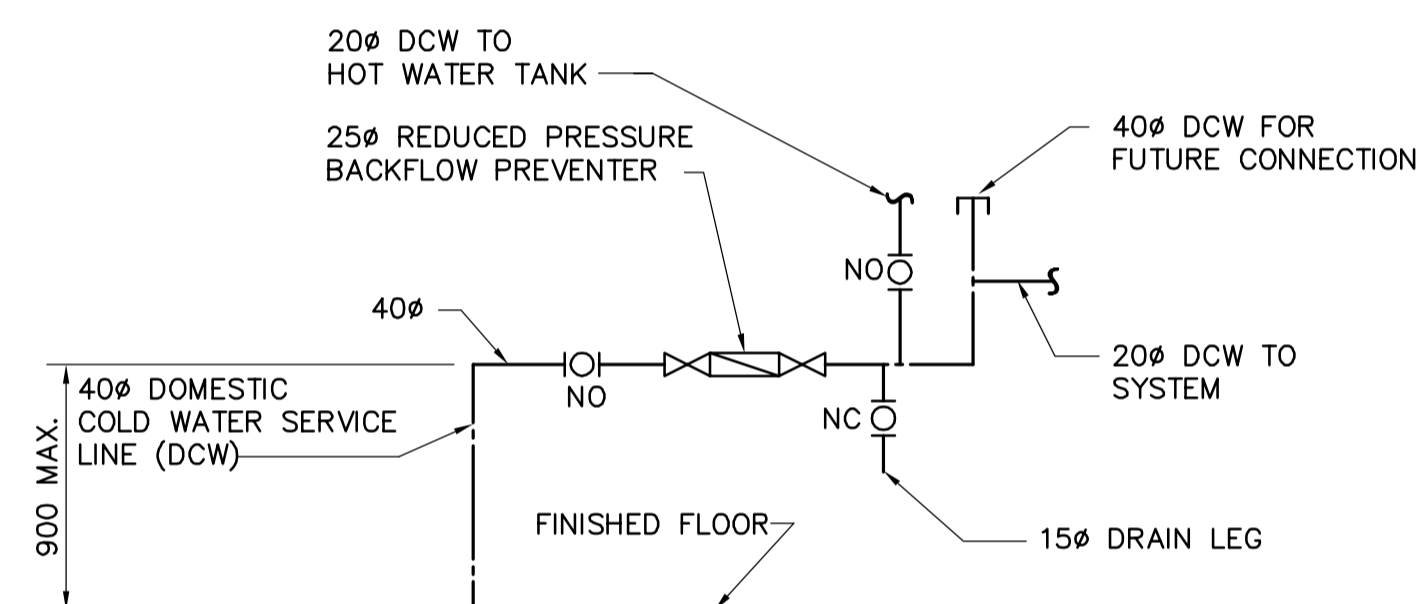
3 HOT WATER HEATER PIPING DETAIL  
M7.01 SCALE N.T.S.



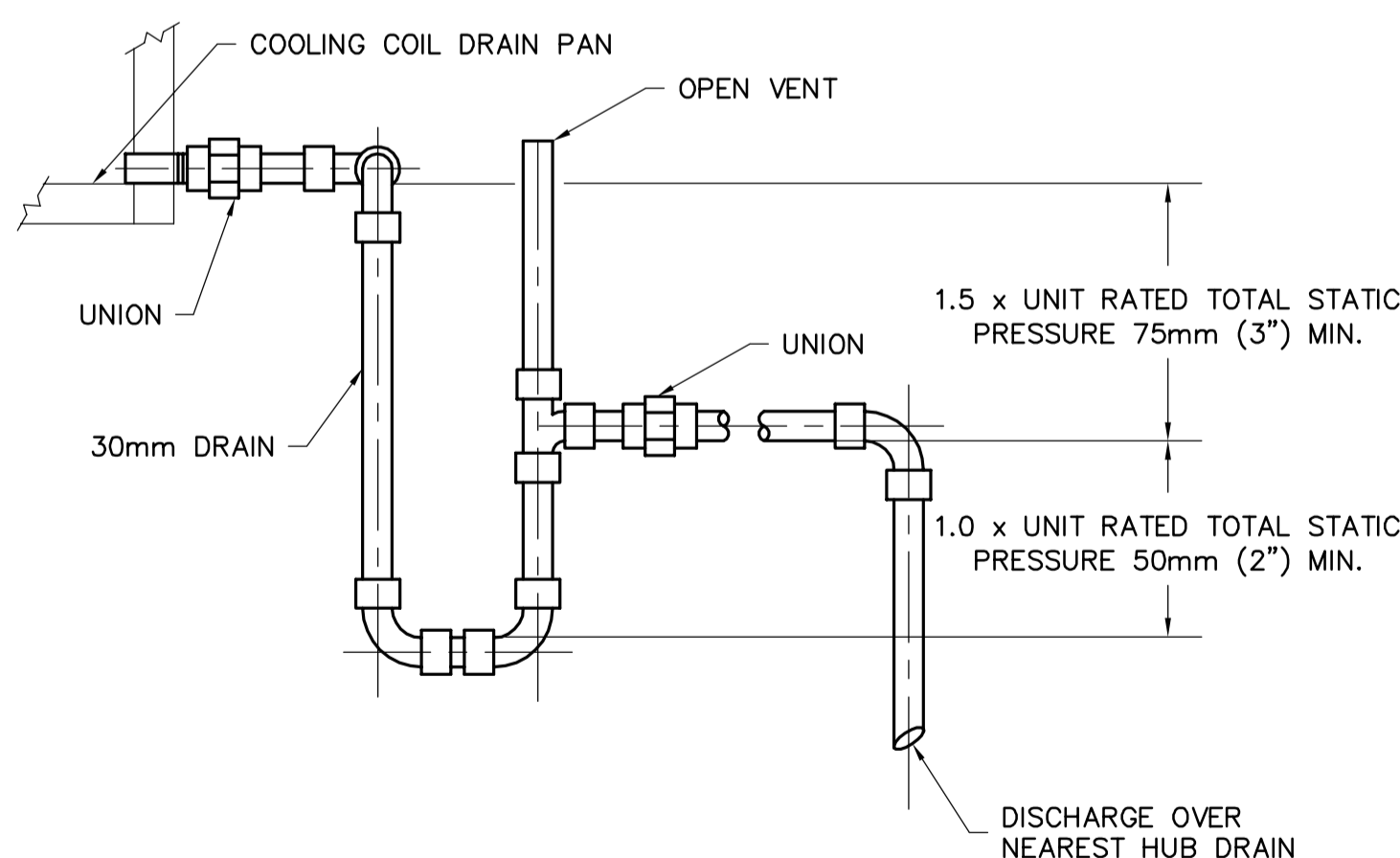
4 PIPE CLEVIS HANGER DETAIL LOWER ATTACHMENT  
M7.01 SCALE N.T.S.



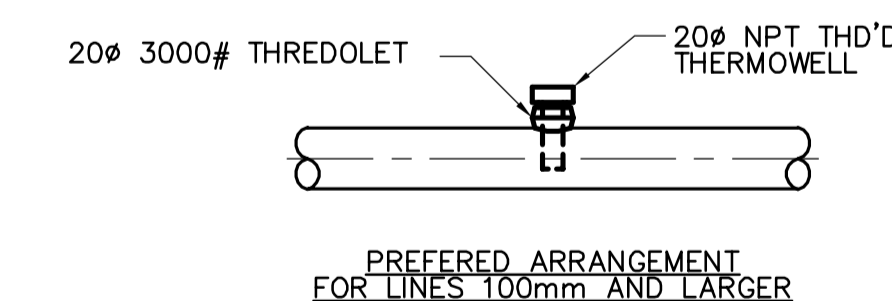
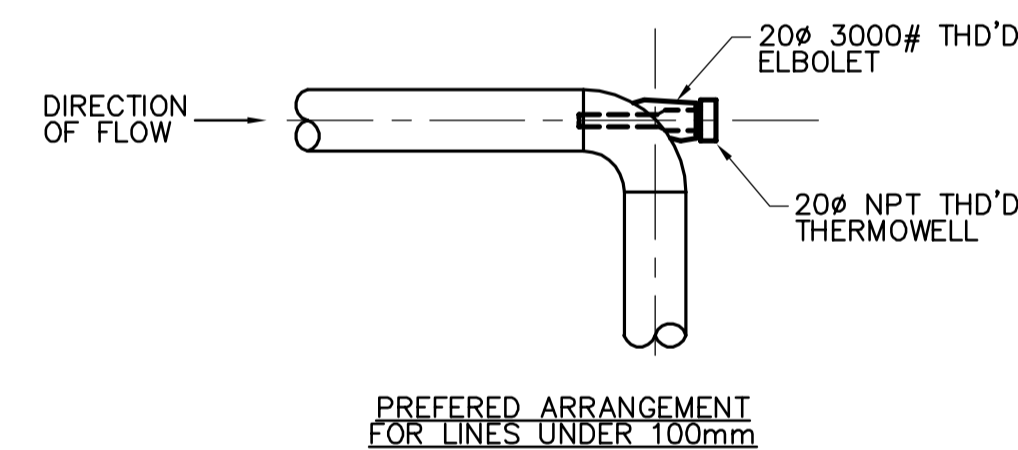
5 FLUSHING WATER HOSE STATION DETAIL  
M7.01 SCALE N.T.S.



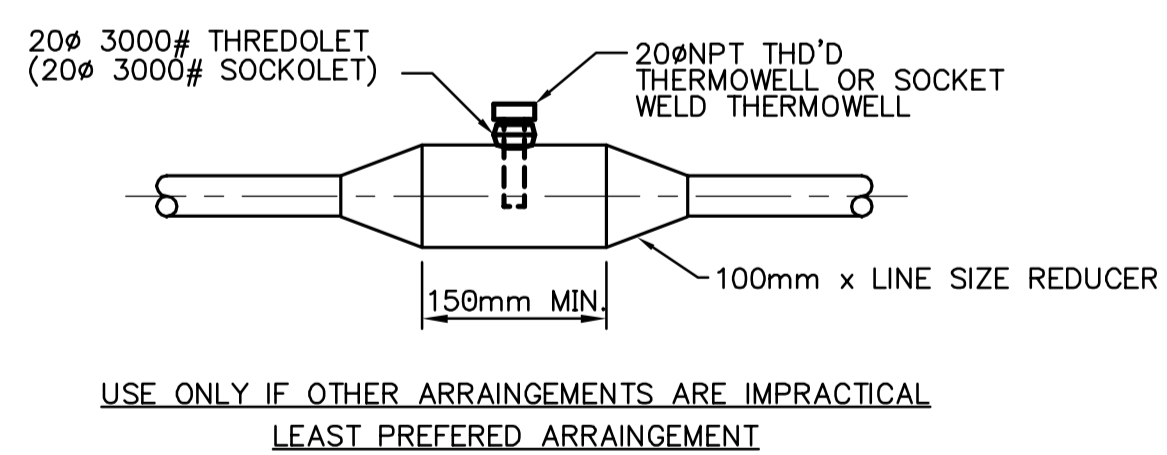
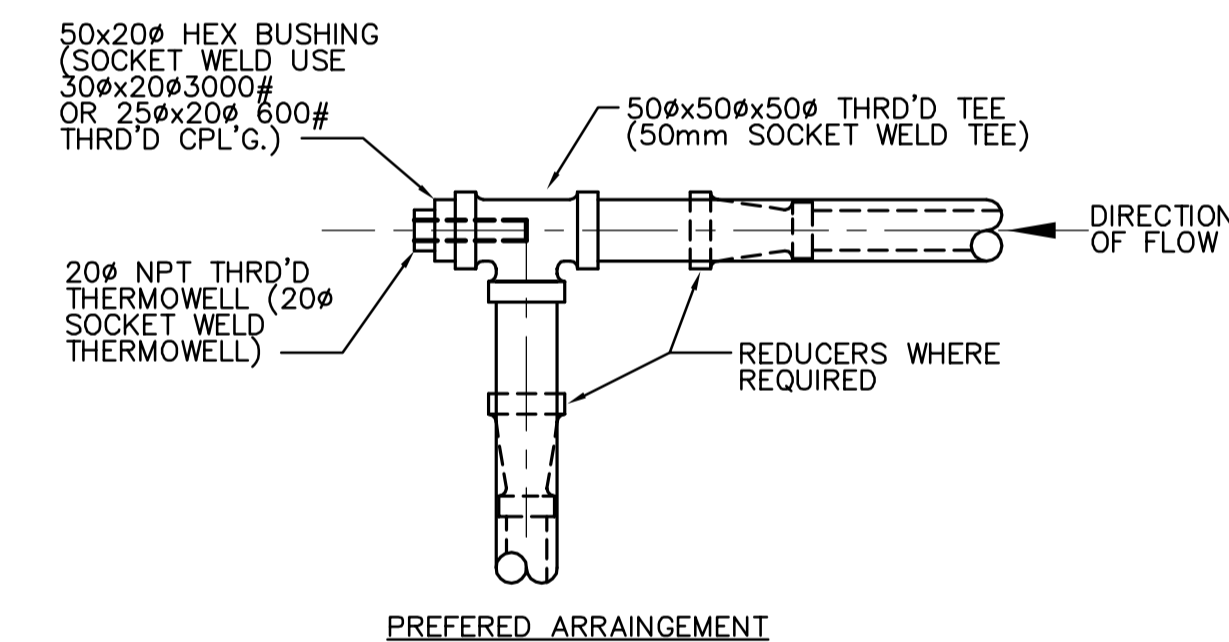
6 DOMESTIC WATER SCHEMATIC  
M7.01 SCALE N.T.S.



7 CONDENSATE PIPING DETAIL  
M7.01 SCALE N.T.S.



8 INSTRUMENT INSTALLATION DETAIL 20mm SCREWED THERMOWELLS 75mm & LARGER LINES  
M7.01 SCALE N.T.S.



9 THERMOWELL INSTALLATION DETAIL IN 50mm & SMALLER LINES  
M7.01 SCALE N.T.S.



B.M. ELEV.	NO.	REVISIONS	DATE	BY
	0	ISSUED FOR TENDER	05/02/18	JEH

EARTH TECH	
Earth Tech (Canada) Inc. Winnipeg, Manitoba 204.477.5381	
DESIGNED BY: PL	CHECKED BY: AMA
DRAWN BY: DL	APPROVED BY: DT
HOR. SCALE: AS NOTED	RELEASED FOR CONSTRUCTION BY: T. KJARTANSON
VERTICAL SCALE: AS NOTED	
DATE: 2005/01/04	DATE: 2005-02-18

ENGINEER'S SEAL
ORIGINAL SIGNED BY: P.V. LAITINEN
FEB. 18/05
CONSULTANT DRAWING NO. 66303D-CM7.01

**THE CITY OF WINNIPEG**  
Winnipeg WATER AND WASTE DEPARTMENT

**NEWPCC - SECONDARY EFFLUENT UV DISINFECTION FACILITY**

MECHANICAL PLUMBING DETAILS AND SCHEMATICS SHEET 1 OF 2

CITY FILE NUMBER: SHEET 10 OF 18  
CITY DRAWING NUMBER