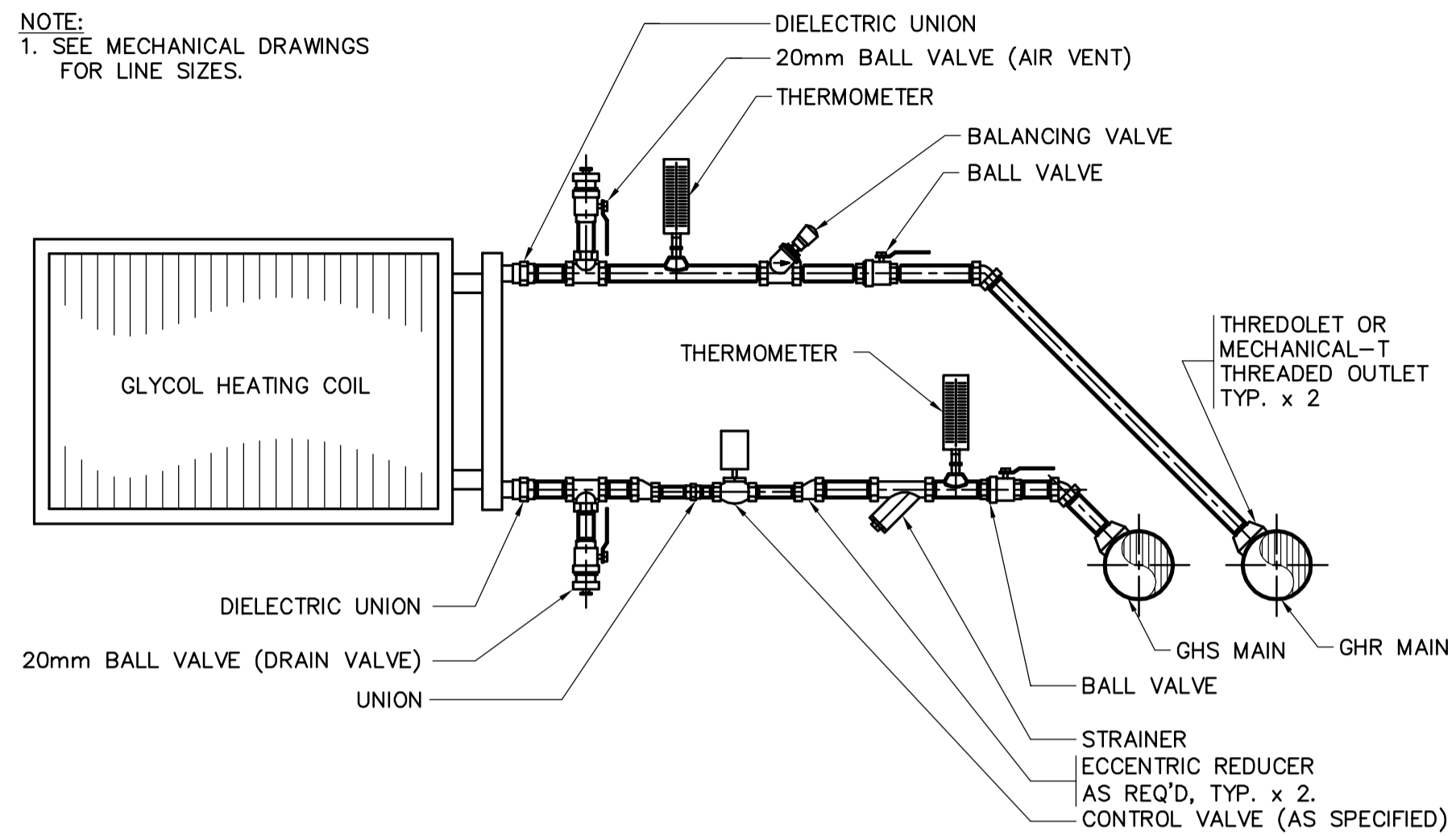
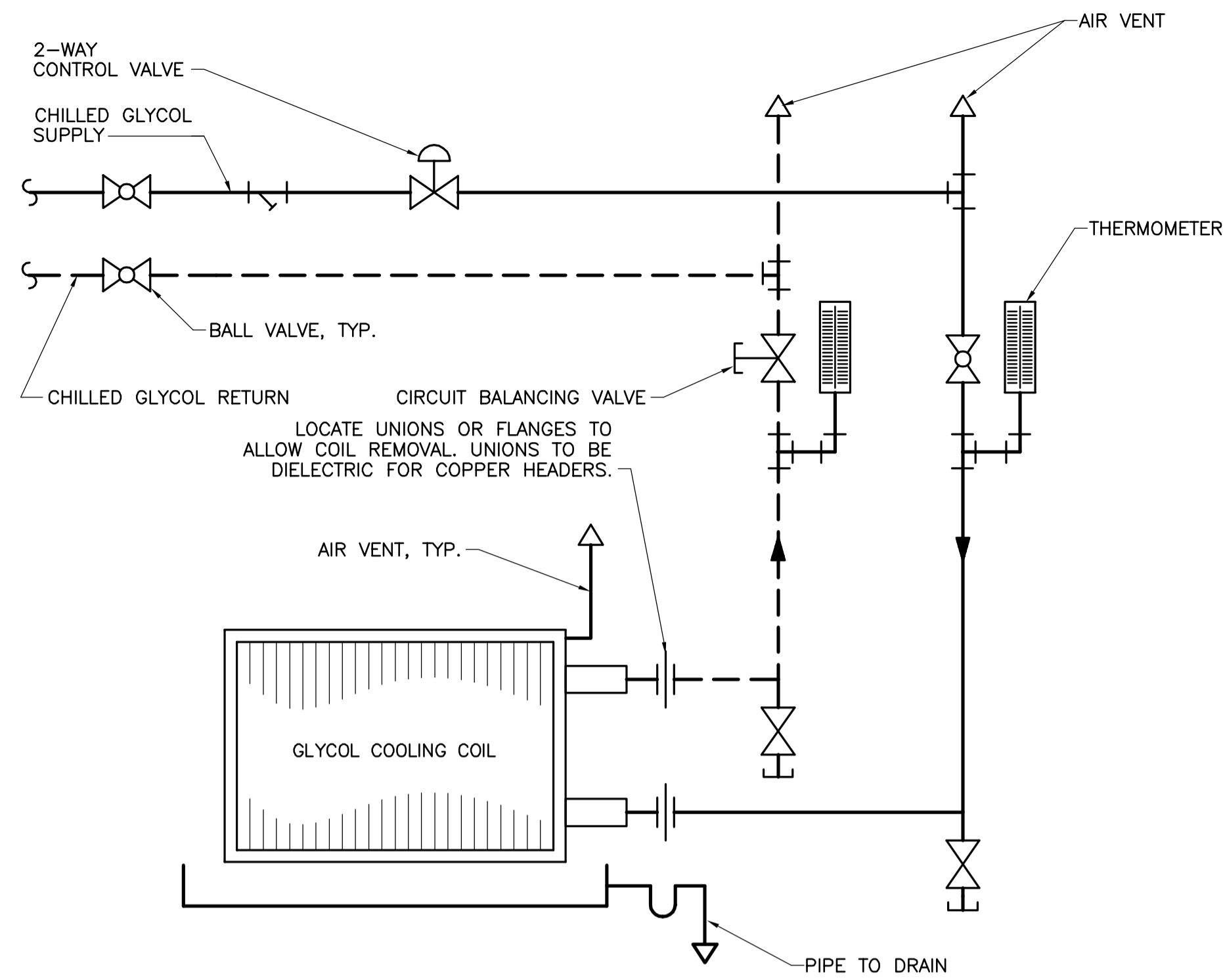


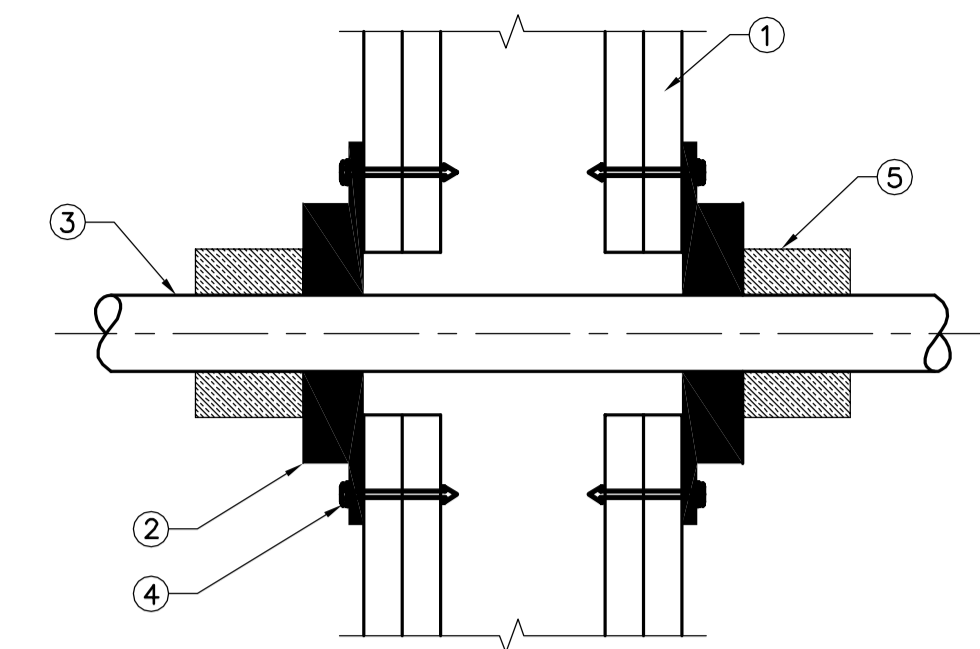
NOTE:
1. SEE MECHANICAL DRAWINGS
FOR LINE SIZES.



1 2-WAY VALVE PIPING DETAIL
M7.03 SCALE N.T.S.



2 GLYCOL COOLING COIL DETAIL
M7.03 SCALE N.T.S.

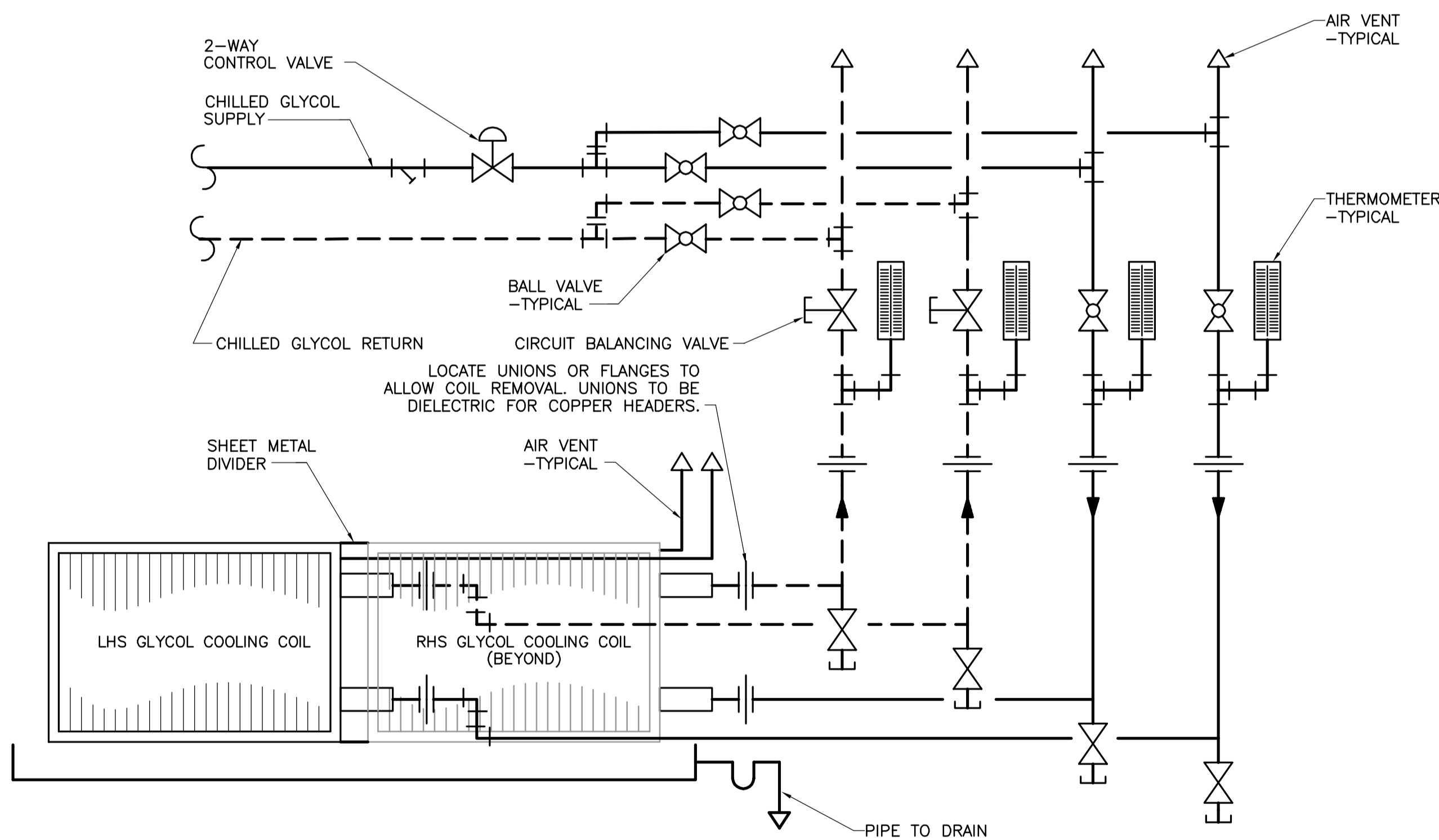


(1) GYPSUM

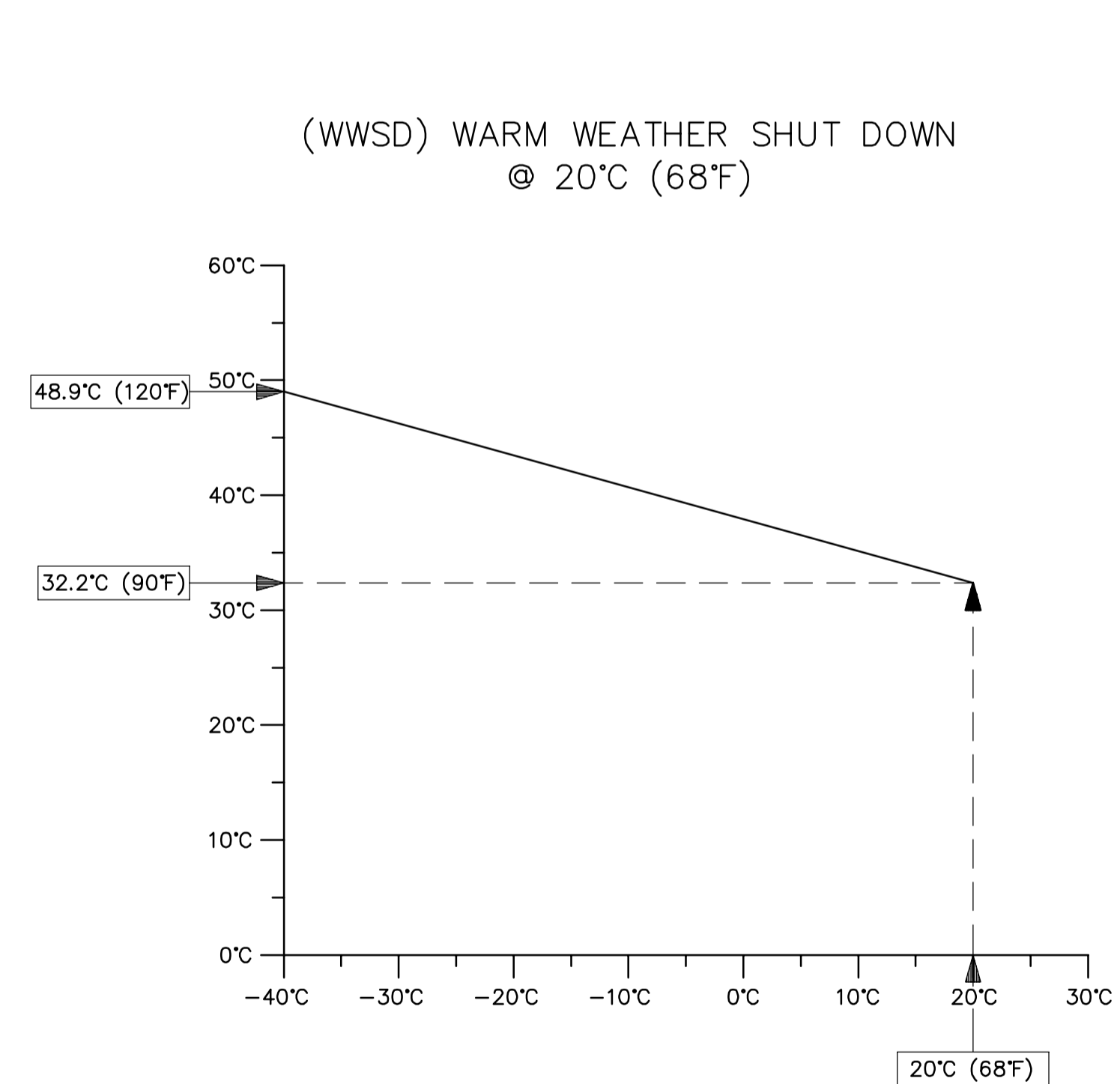
(3) PIPE TYPE	SIZE	MAX. ANNULAR SPACE	(2) 3M FIRE STOP PPD	(5) PIPE INSULATION OR ALUMINUM FOIL TAPE		RATINGS		
				1x6" (100x150mm)	3" (75mm)	F	T	H
ABS	1-1/2" - 4" (38mm - 100mm)	1/4" (6mm)	ACCORDING TO THE PIPE SIZE	N.R.	N.R.	1	1	1
PVC	1-1/2" - 4" (38mm - 100mm)	1/4" (6mm)		N.R.	N.R.	1	1	1
CPVC	1-1/2" - 4" (38mm - 100mm)	1/4" (6mm)		N.R.	N.R.	2	2	2

PPD=3M PLASTIC PIPE DEVICE (4) HOLLOW DRY WALL ANCHORS
*TESTED WITH A PRESSURE DIFFERENTIAL OF 50 pa AS REQUIRED FOR DWV APPLICATIONS IN CANADA.

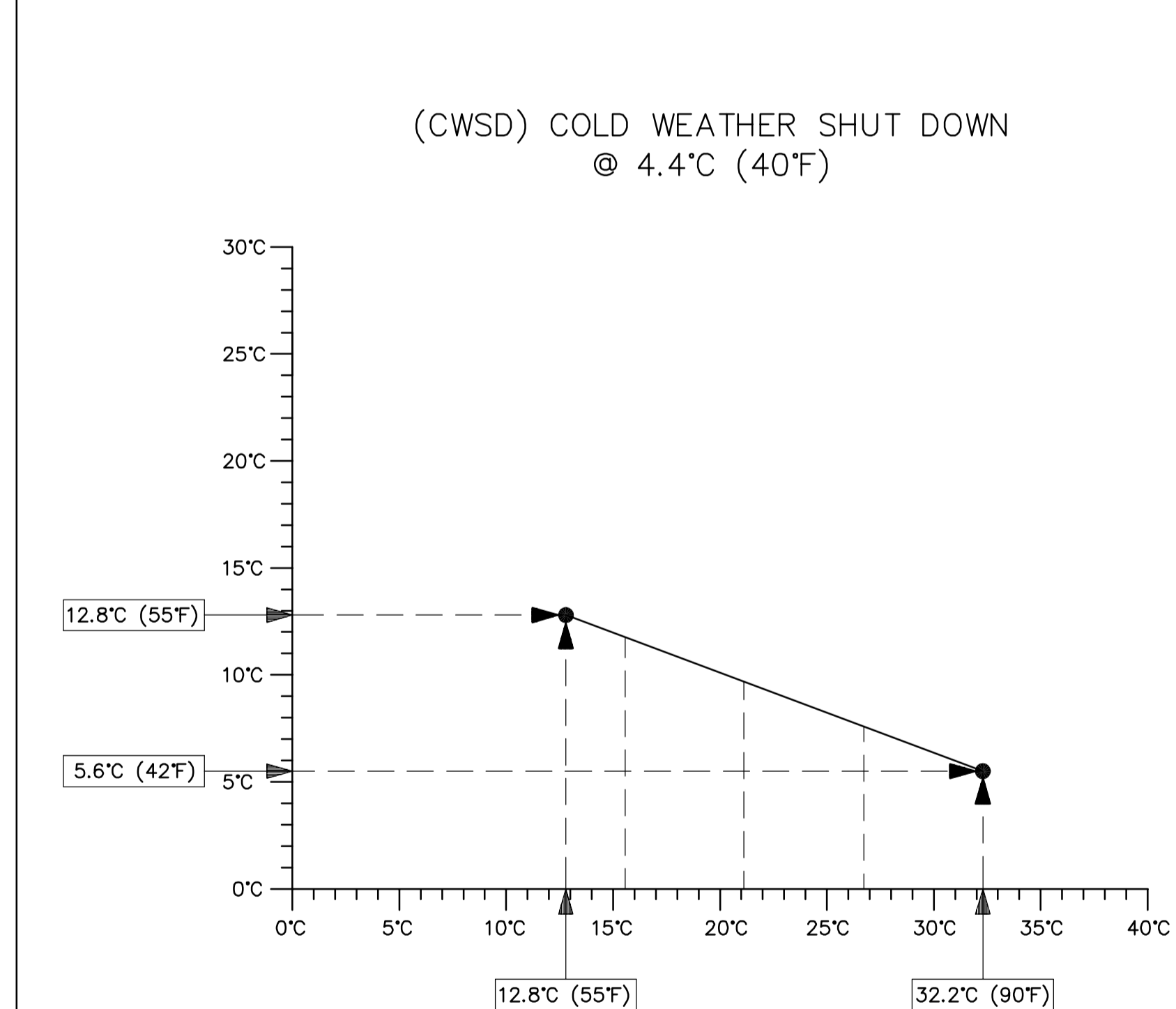
3 SLEEVE & FIRE STOPPING OF PIPE PASSING THRU FIRE-RATED WALLS
M7.03 SCALE N.T.S.



4 GLYCOL SPLIT COOLING COIL DETAIL
M7.03 SCALE N.T.S.



5 GLYCOL HEATING SYSTEM OUTDOOR AIR RESET SCHEDULE
M7.03 SCALE N.T.S.



6 CHILLED WATER SYSTEM OUTDOOR AIR RESET SCHEDULE
M7.03 SCALE N.T.S.



B.M. ELEV.	NO.	REVISIONS	DATE	BY
	0	ISSUED FOR TENDER	05/02/18	JEH

EARTH TECH			
<small>Earth Tech (Canada) Inc. Winnipeg, Manitoba 204.477.5381</small>			
DESIGNED BY	PL	CHECKED BY	AMA
DRAWN BY	DL	APPROVED BY	DT
HOR. SCALE: AS NOTED		RELEASED FOR CONSTRUCTION BY:	
VERTICAL SCALE: AS NOTED		T. KJARTANSON	
ISSUED FOR TENDER	05/02/18	DATE	2005/01/20
NO. REVISIONS		DATE	2005-02-18

ENGINEER'S SEAL
ORIGINAL SIGNED BY
P.V. LAITINEN
FEB. 18/05
CONSULTANT DRAWING NO.
66303D-CM7.03

THE CITY OF WINNIPEG
Winnipeg WATER AND WASTE DEPARTMENT

**NEWPCC - SECONDARY EFFLUENT
UV DISINFECTION FACILITY**

MECHANICAL
HYDRONIC DETAILS, SCHEMATICS AND SCHEDULES

CITY FILE NUMBER
SHEET 12 OF 18
CITY DRAWING NUMBER