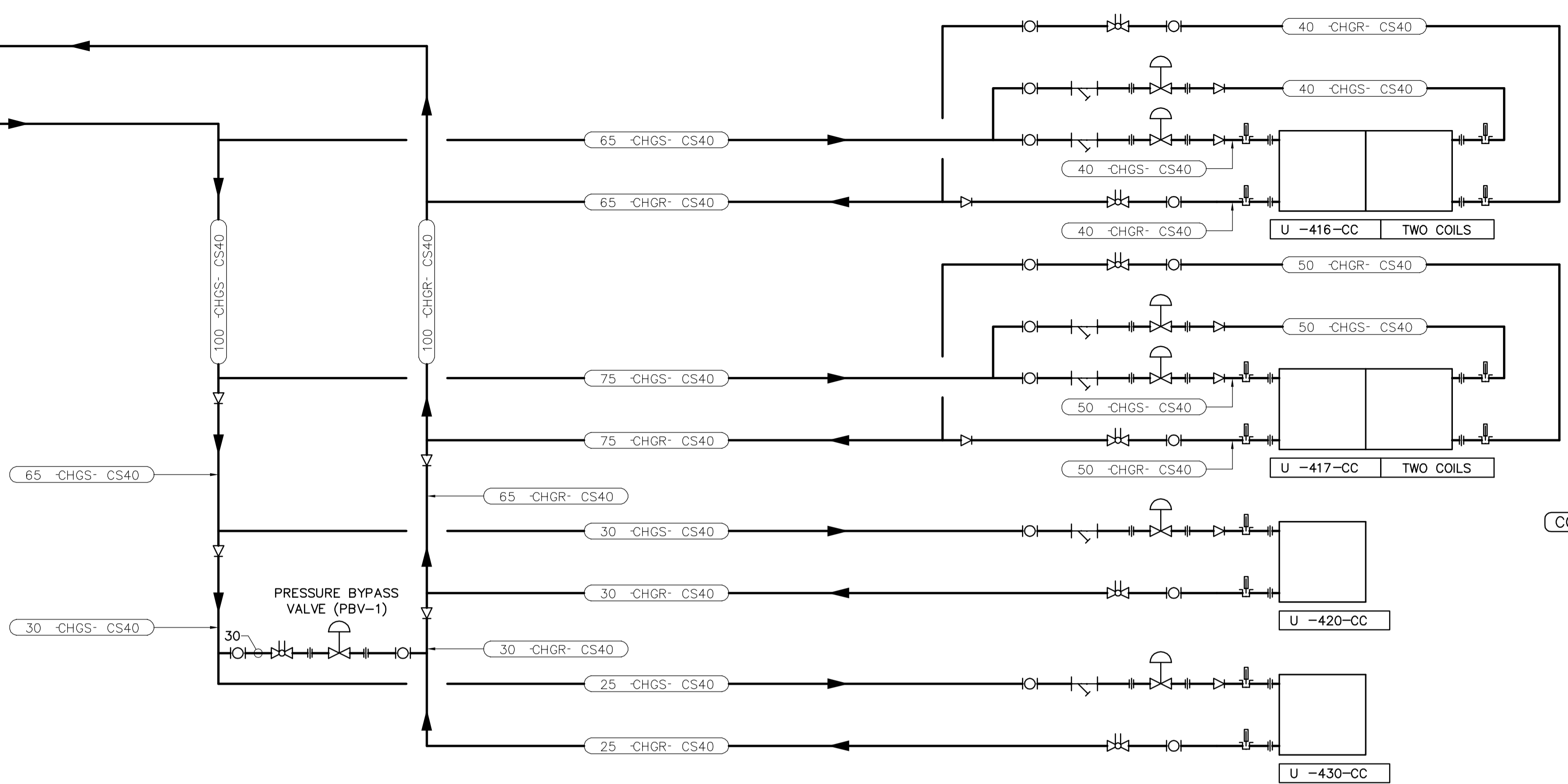


TO CHILLER
HEAT PUMPS
M8.01

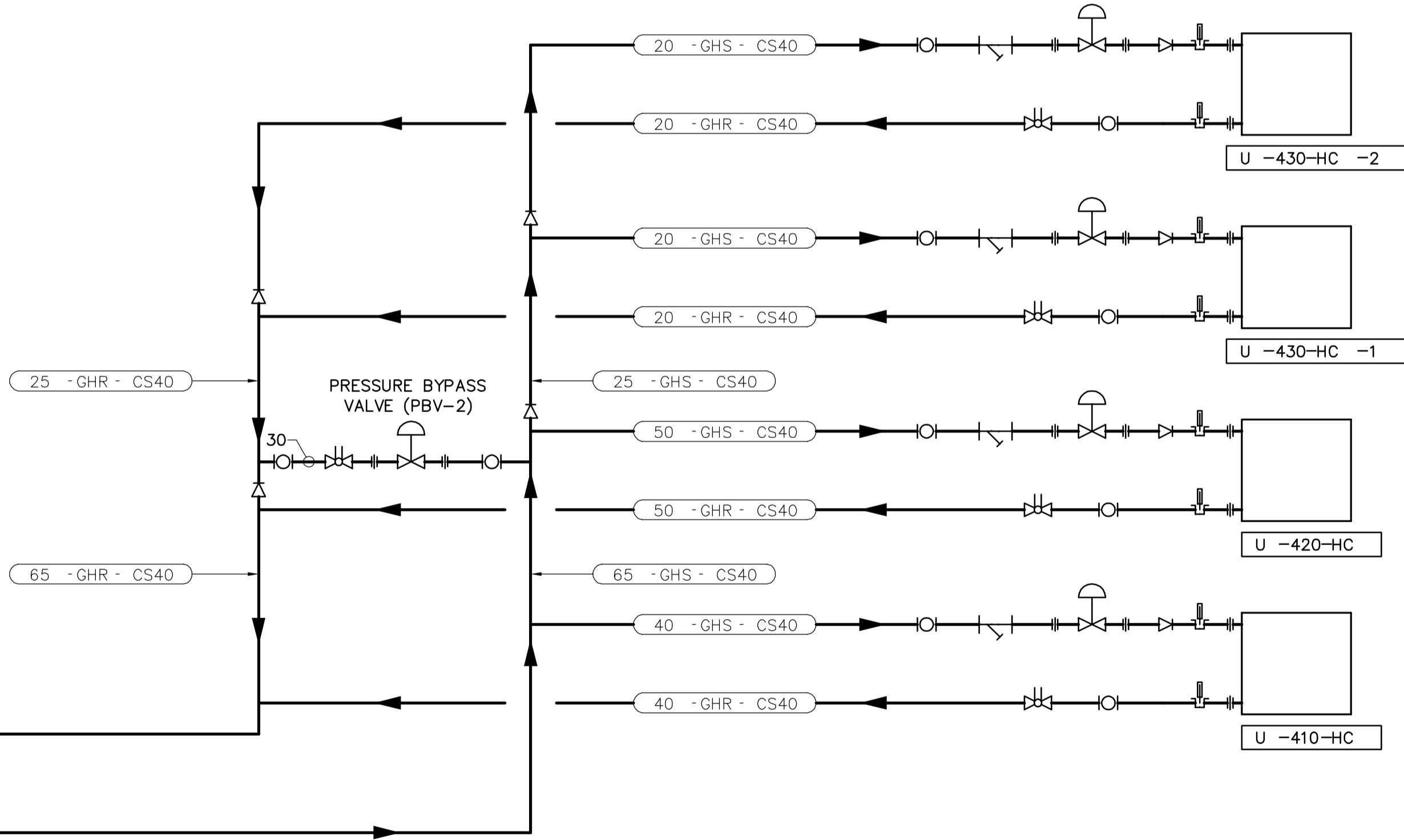
FROM CHILLER
HEAT PUMPS
M8.01



COOLING COILS

TO HEATING
HEAT PUMPS
M8.01

FROM HEATING
HEAT PUMPS
M8.01



HEATING COILS



B.M. ELEV.		EARTH TECH		ENGINEER'S SEAL	
		Earth Tech (Canada) Inc. Winnipeg, Manitoba 204.477.5381		ORIGINAL SIGNED BY P.V. LAITINEN FEB. 18/05	
DESIGNED BY: PVL		CHECKED BY: AMA		CONSULTANT DRAWING NO. 66303D-CM8.02	
DRAWN BY: DC		APPROVED BY: DT			
HOR. SCALE: VERTICAL SCALE:		RELEASED FOR CONSTRUCTION BY: T. KJARTANSON			
NO. REVISIONS		DATE		DATE	
0 ISSUED FOR TENDER		05/02/18 JEH		2004/11/03	
				DATE 2005-02-18	

THE CITY OF WINNIPEG
Winnipeg WATER AND WASTE DEPARTMENT

**NEWPCC - SECONDARY EFFLUENT
UV DISINFECTION FACILITY**

MECHANICAL
HVAC HYDRONIC SCHEMATIC
SHEET 2 OF 2

CITY FILE NUMBER

SHEET 16 OF 18

CITY DRAWING NUMBER