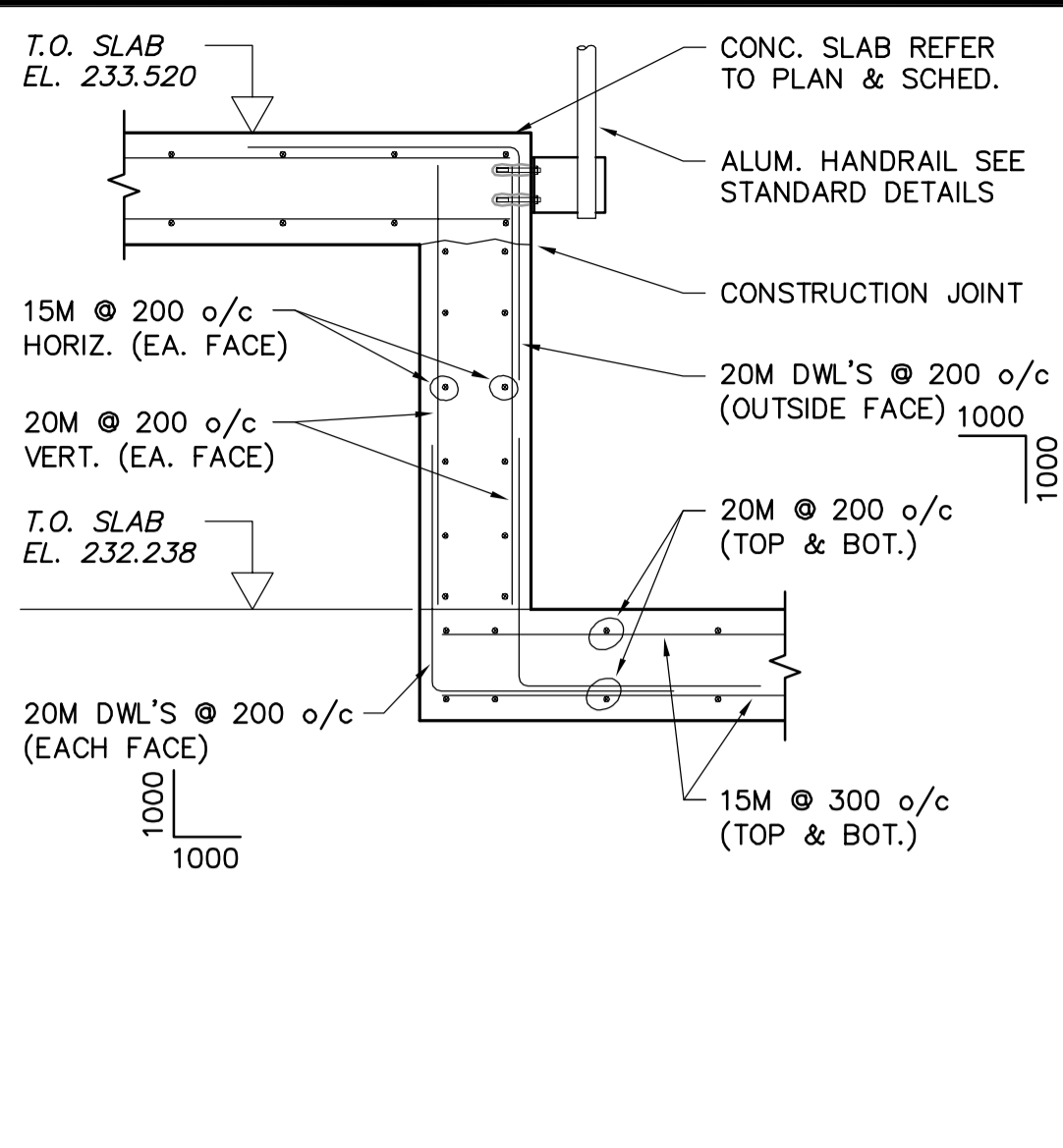
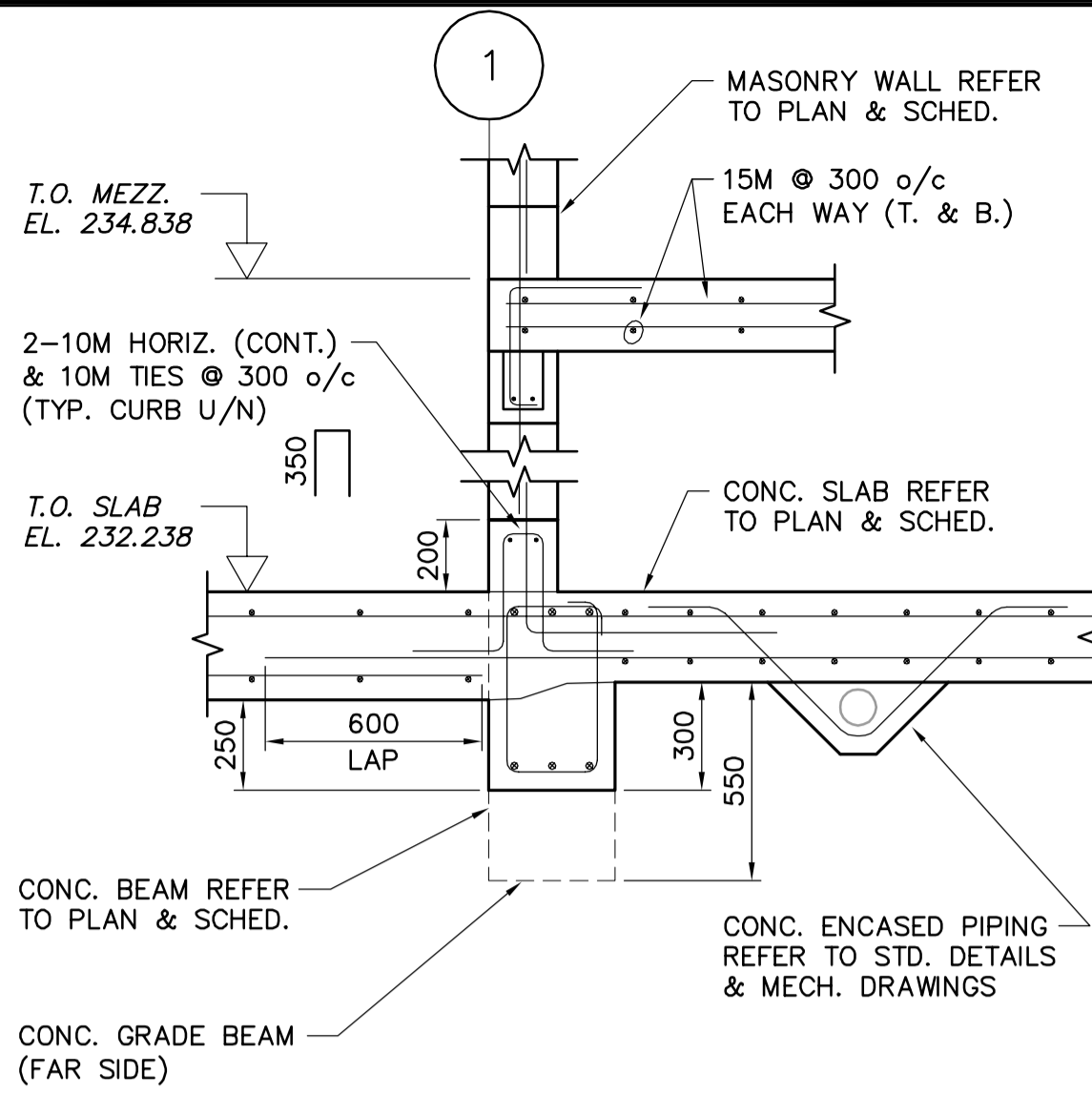


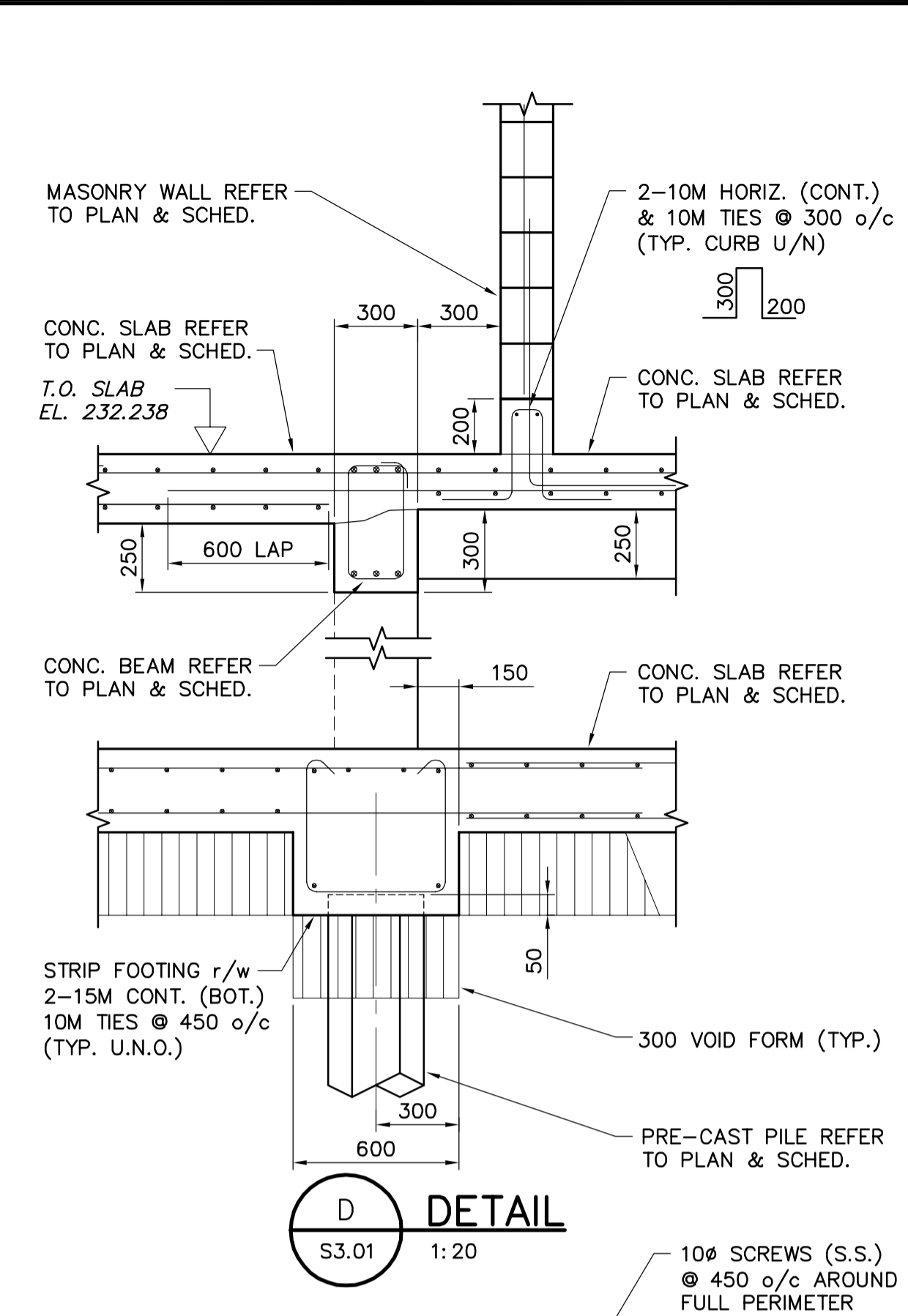
A DETAIL
S3.01 1:20



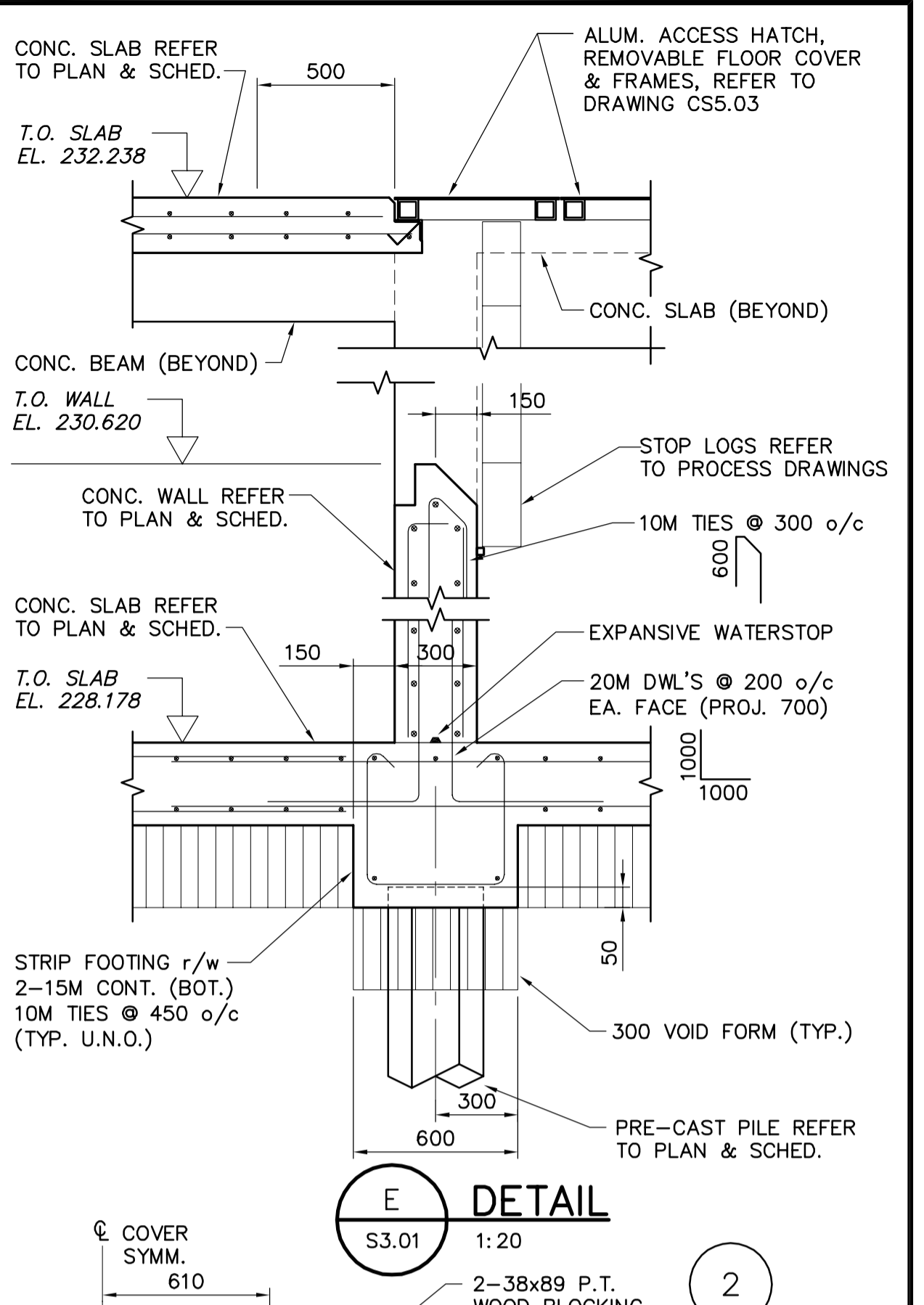
B DETAIL
S3.01 1:20



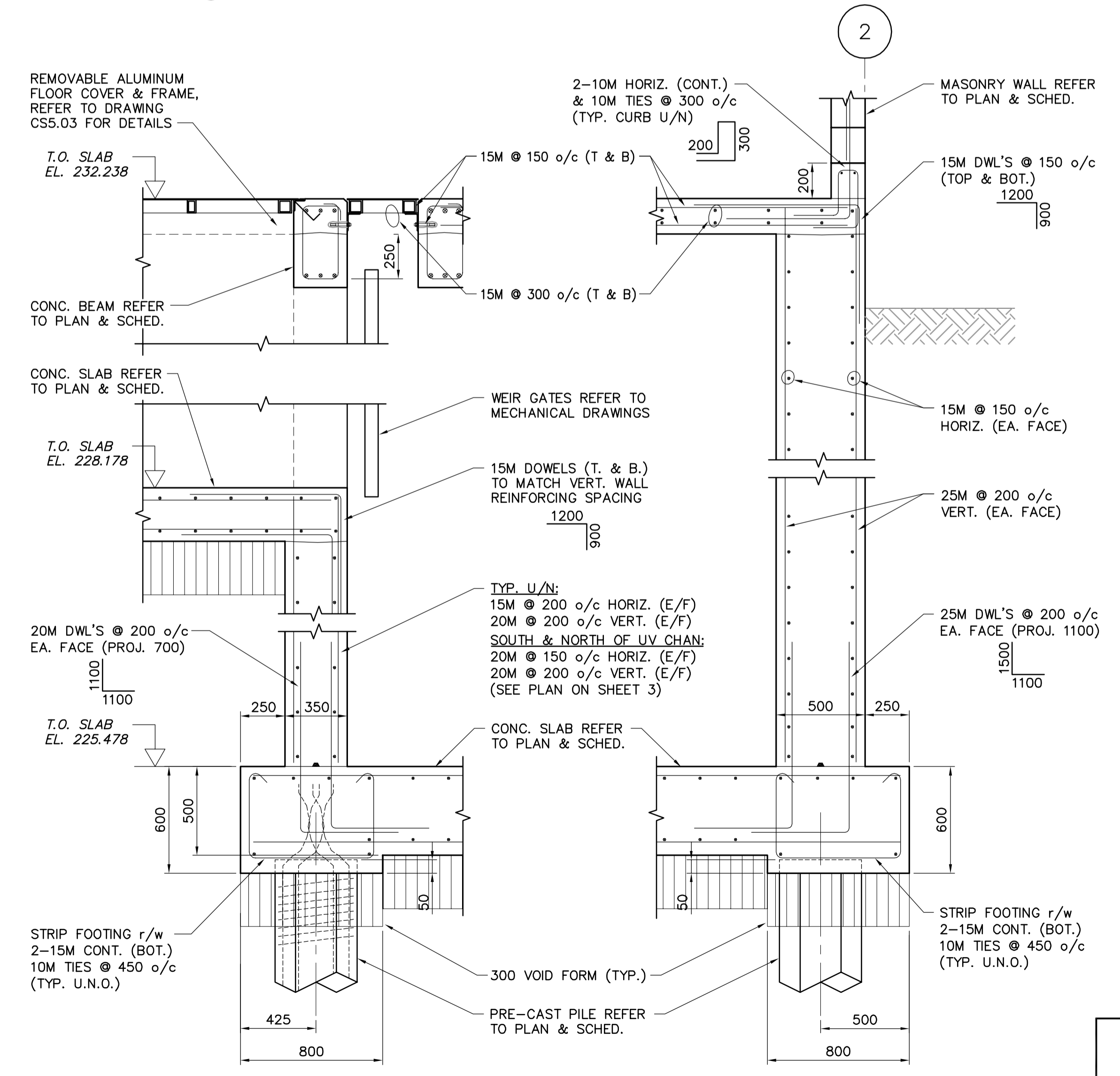
C DETAIL
S3.01 1:20



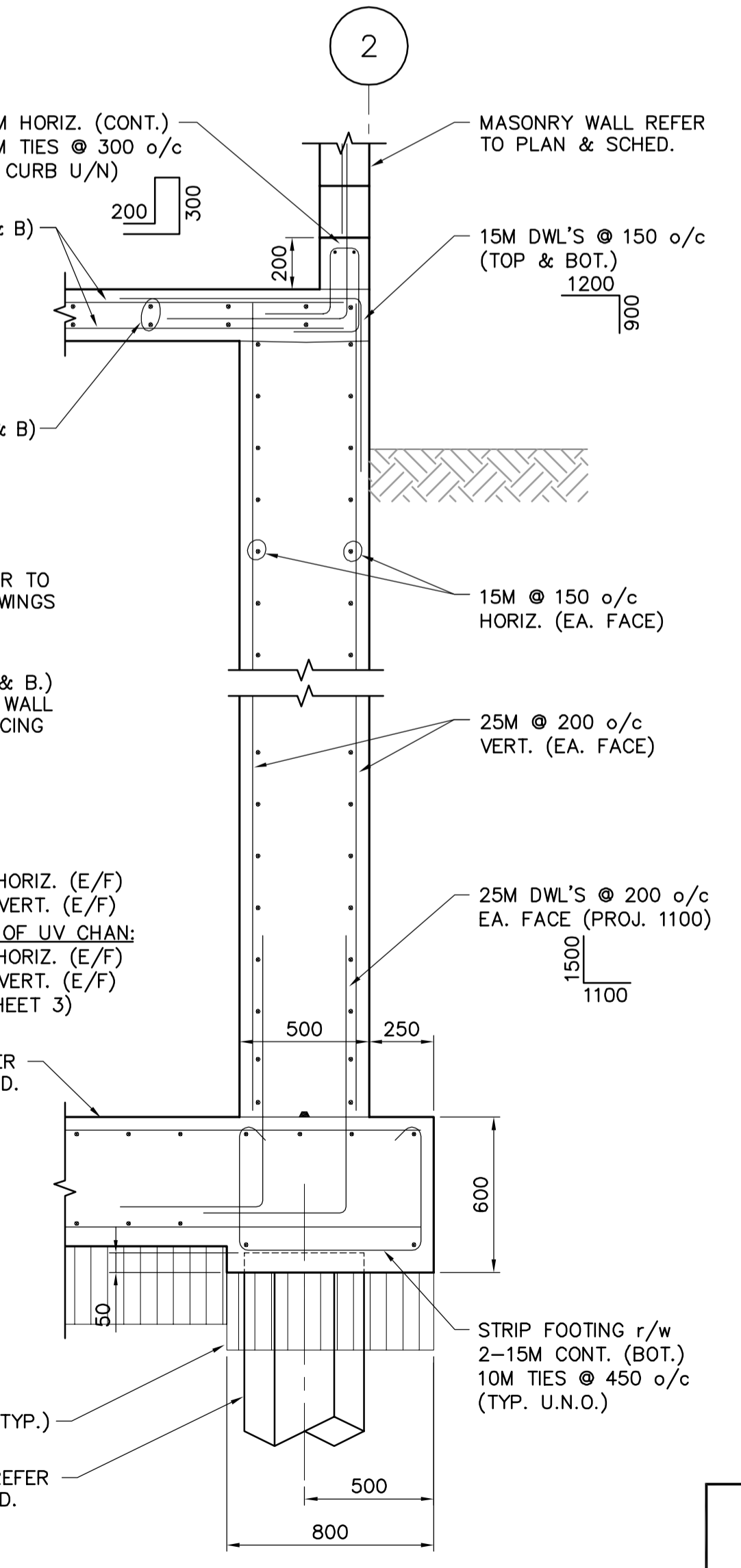
D DETAIL
S3.01 1:20



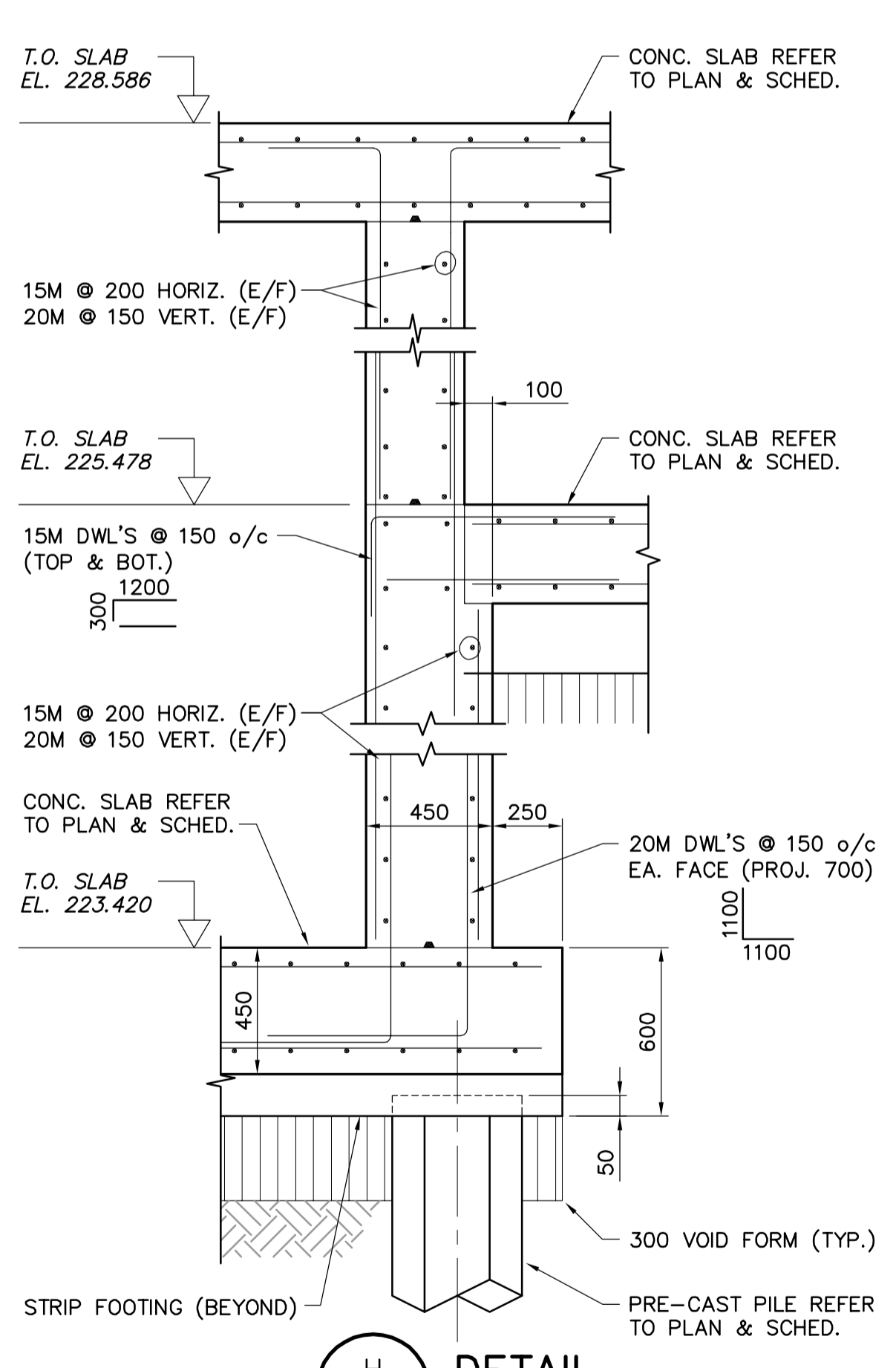
E DETAIL
S3.01 1:20



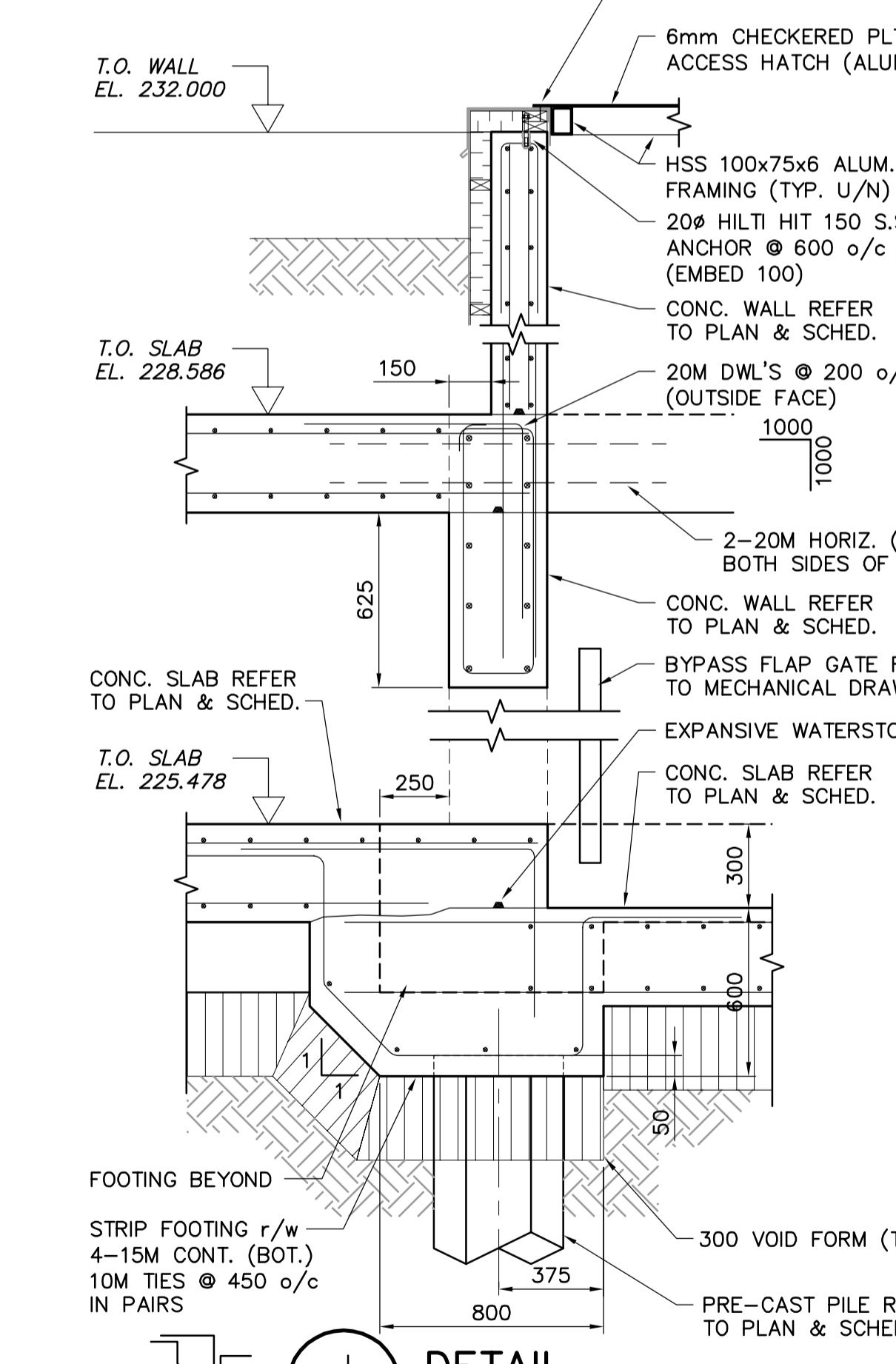
F DETAIL
S3.01 1:20



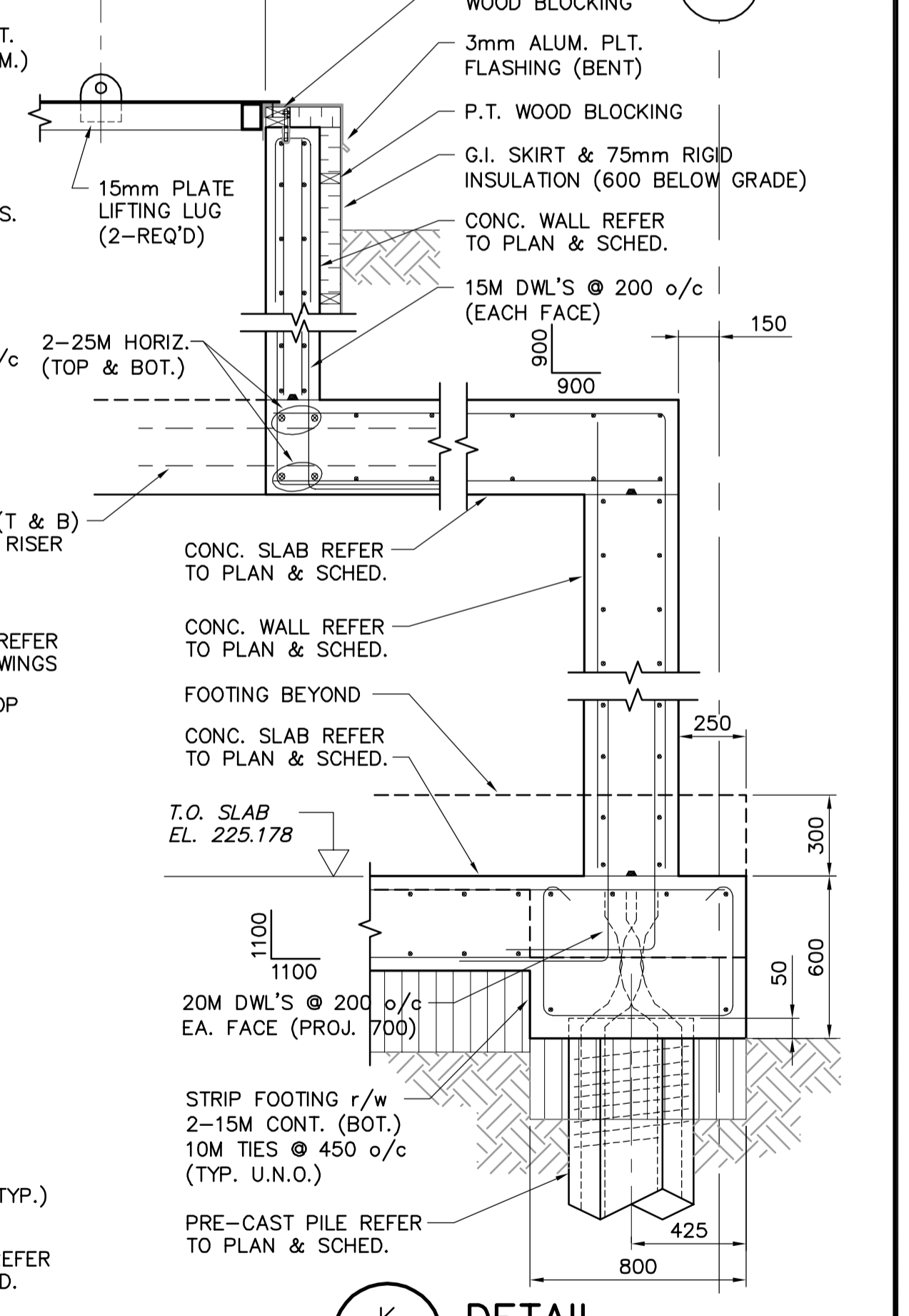
G DETAIL
S3.01 1:20



H DETAIL
S3.01 1:20



J DETAIL
S3.01 1:20



K DETAIL
S3.01 1:20



B.M. ELEV.			
DESIGNED BY	RE, MK	CHECKED BY	GGP
DRAWN BY	CMS	APPROVED BY	DT
HOR. SCALE:	AS NOTED	RELEASED FOR CONSTRUCTION BY:	T. KJARTANSON
VERTICAL SCALE:	AS NOTED	DATE	2005-02-18
NO. REVISIONS	DATE	BY	
0	ISSUED FOR TENDER 05/02/18	JEH	
	DATE		2005/01/05

EARTH TECH
Earth Tech (Canada) Inc. Winnipeg, Manitoba 204.477.5381

DESIGNED BY: RE, MK
CHECKED BY: GGP
DRAWN BY: CMS
APPROVED BY: DT
HOR. SCALE: AS NOTED
VERTICAL SCALE: AS NOTED
RELEASED FOR CONSTRUCTION BY: T. KJARTANSON
DATE: 2005-01-05

ENGINEER'S SEAL

ORIGINAL SIGNED BY: R.B. ERIC
DATE: FEB. 18/05

CONSULTANT DRAWING NO. 66303D-CS4.04

THE CITY OF WINNIPEG
Winnipeg WATER AND WASTE DEPARTMENT

NEWPCC - SECONDARY EFFLUENT UV DISINFECTION FACILITY

STRUCTURAL SECTIONS AND DETAILS
SHEET 1 OF 4

CITY FILE NUMBER: SHEET 12 OF 18
CITY DRAWING NUMBER