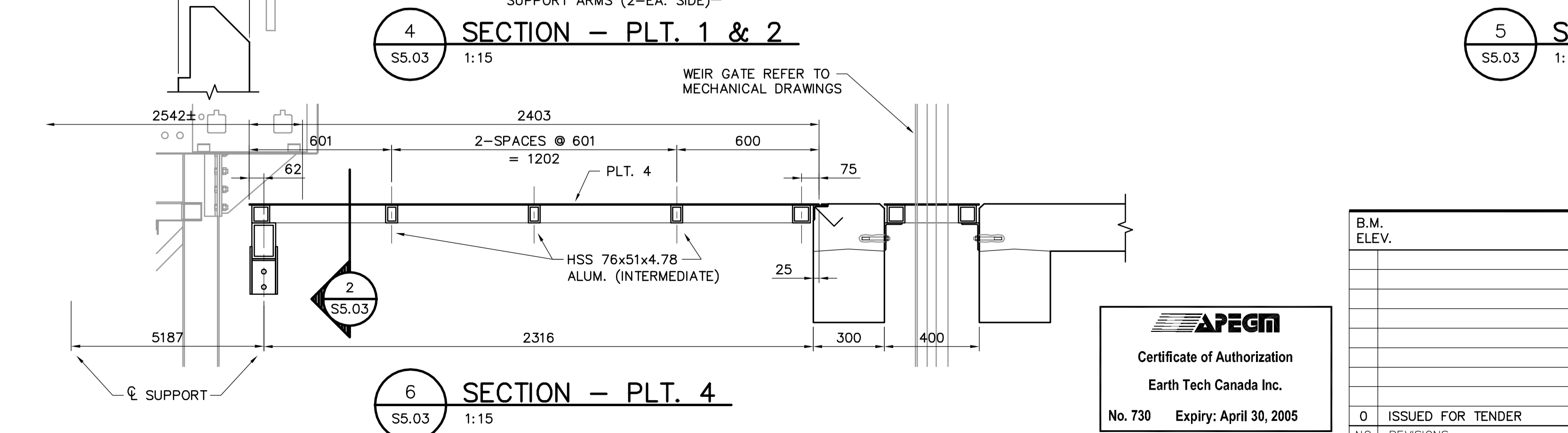
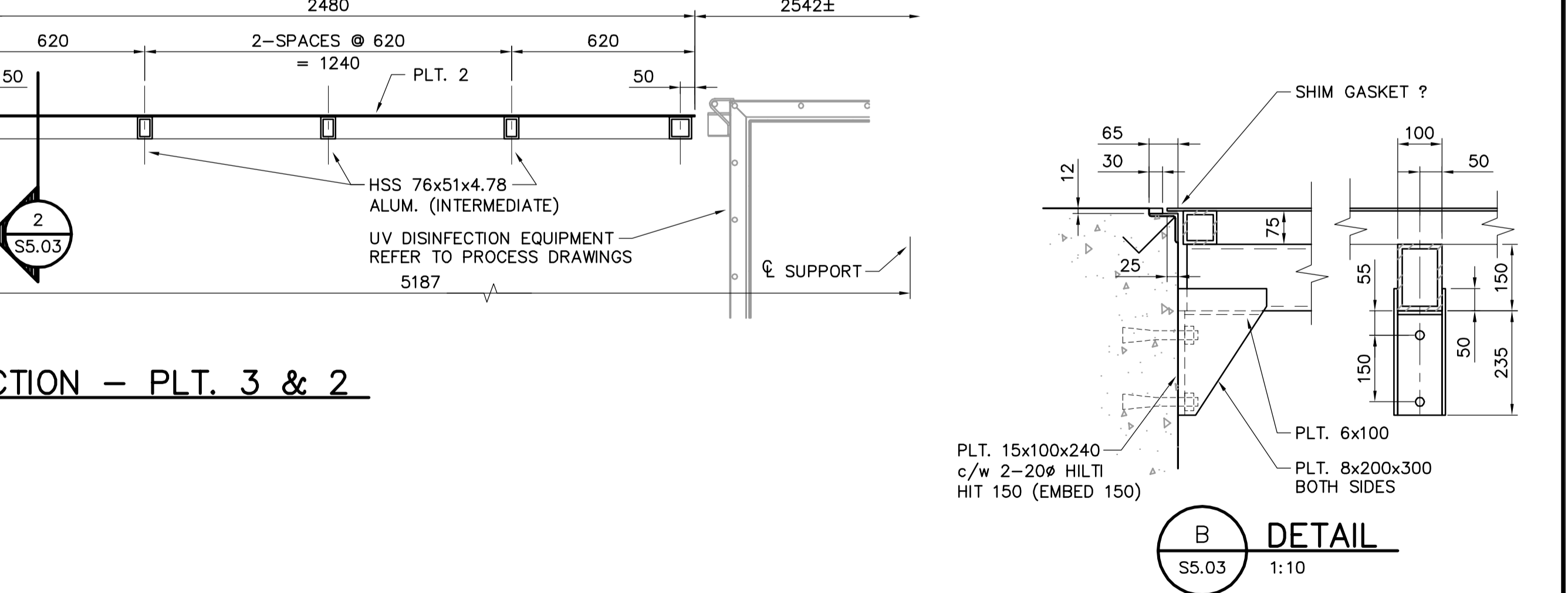
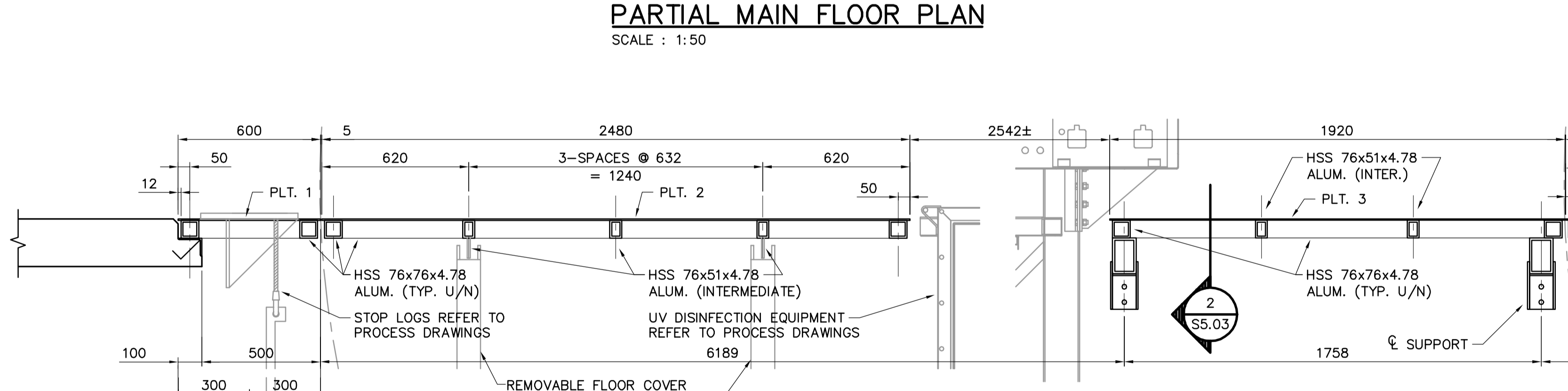
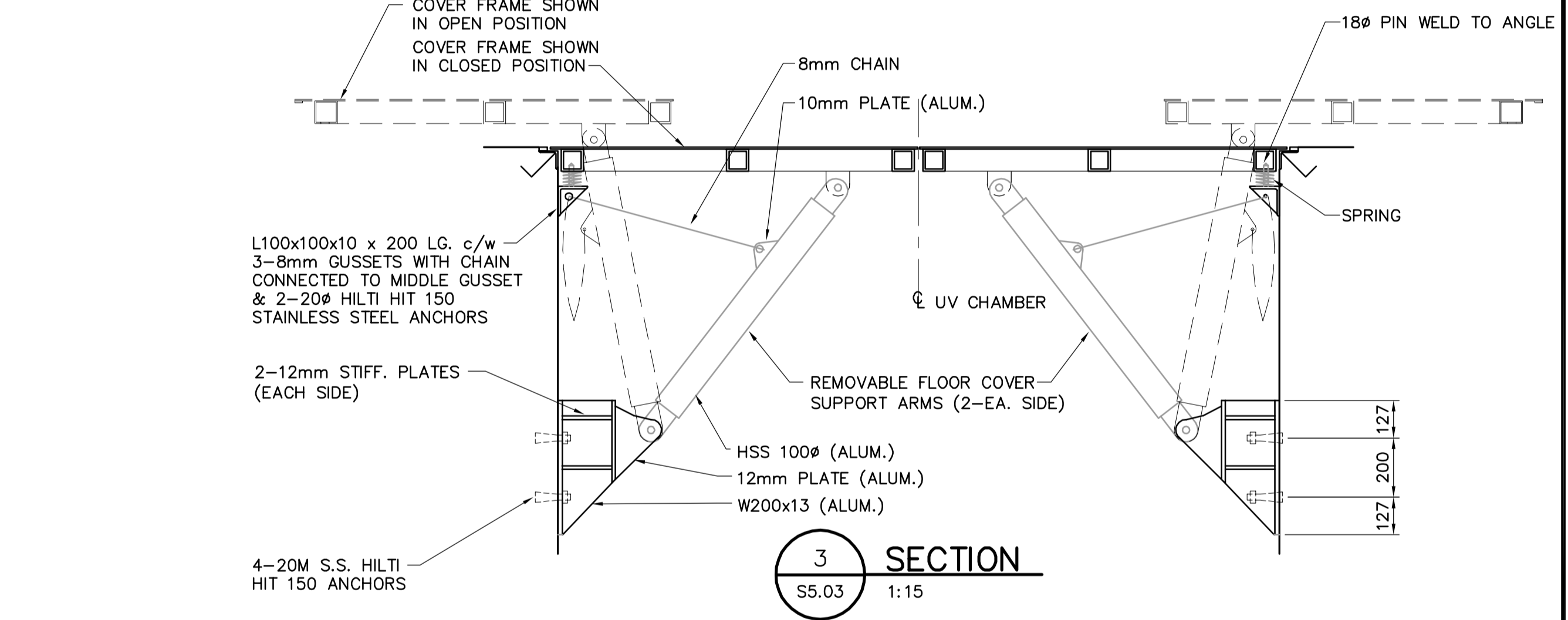
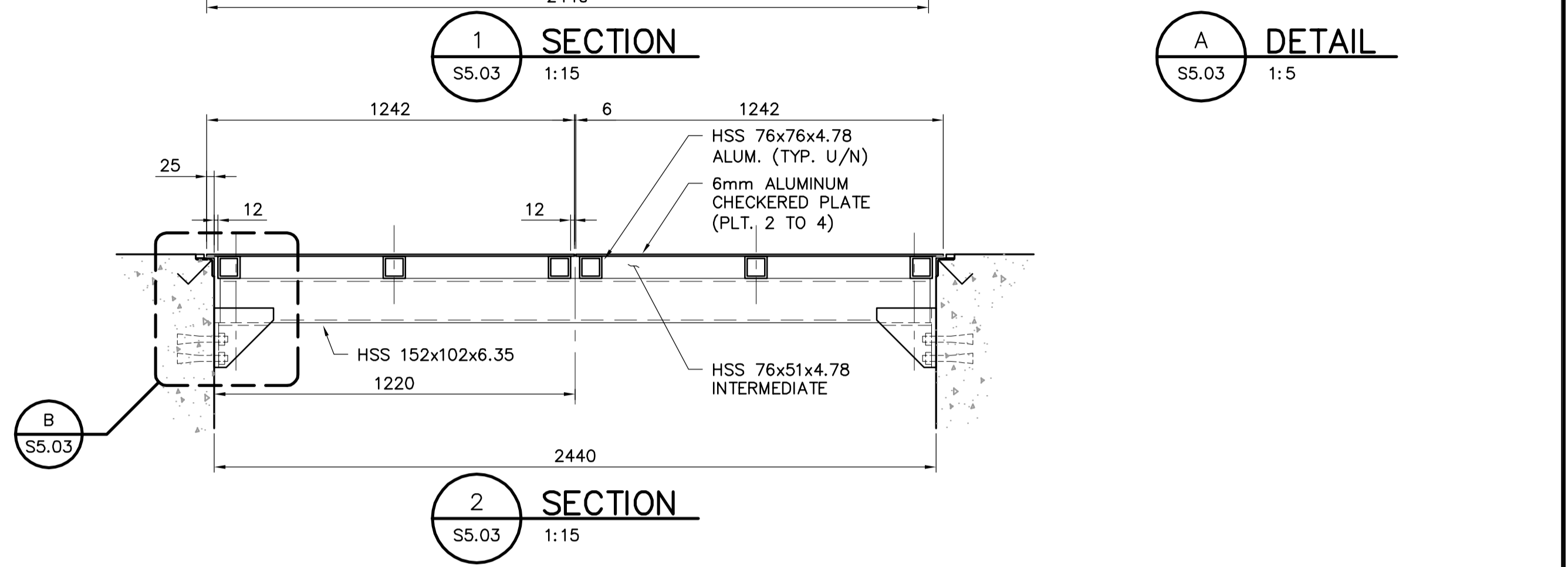
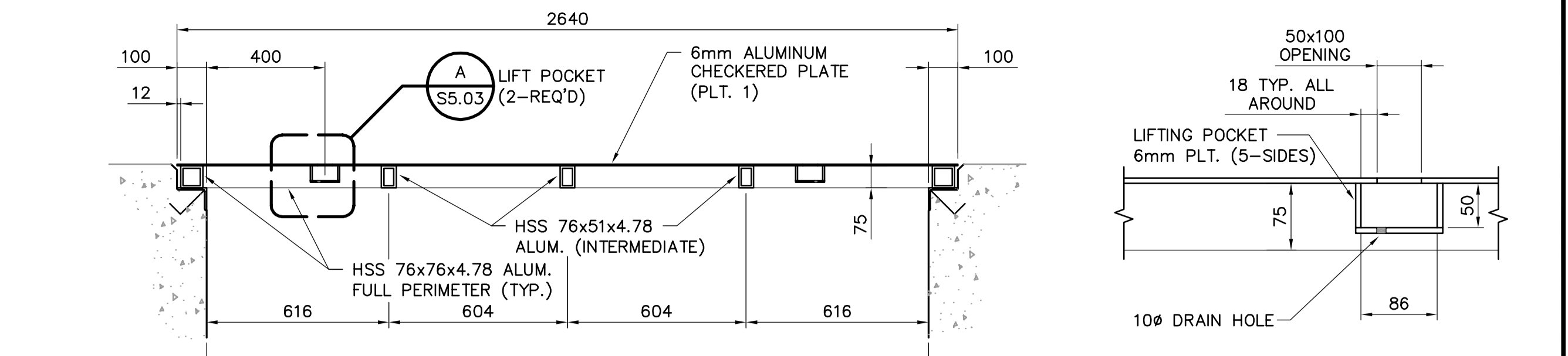
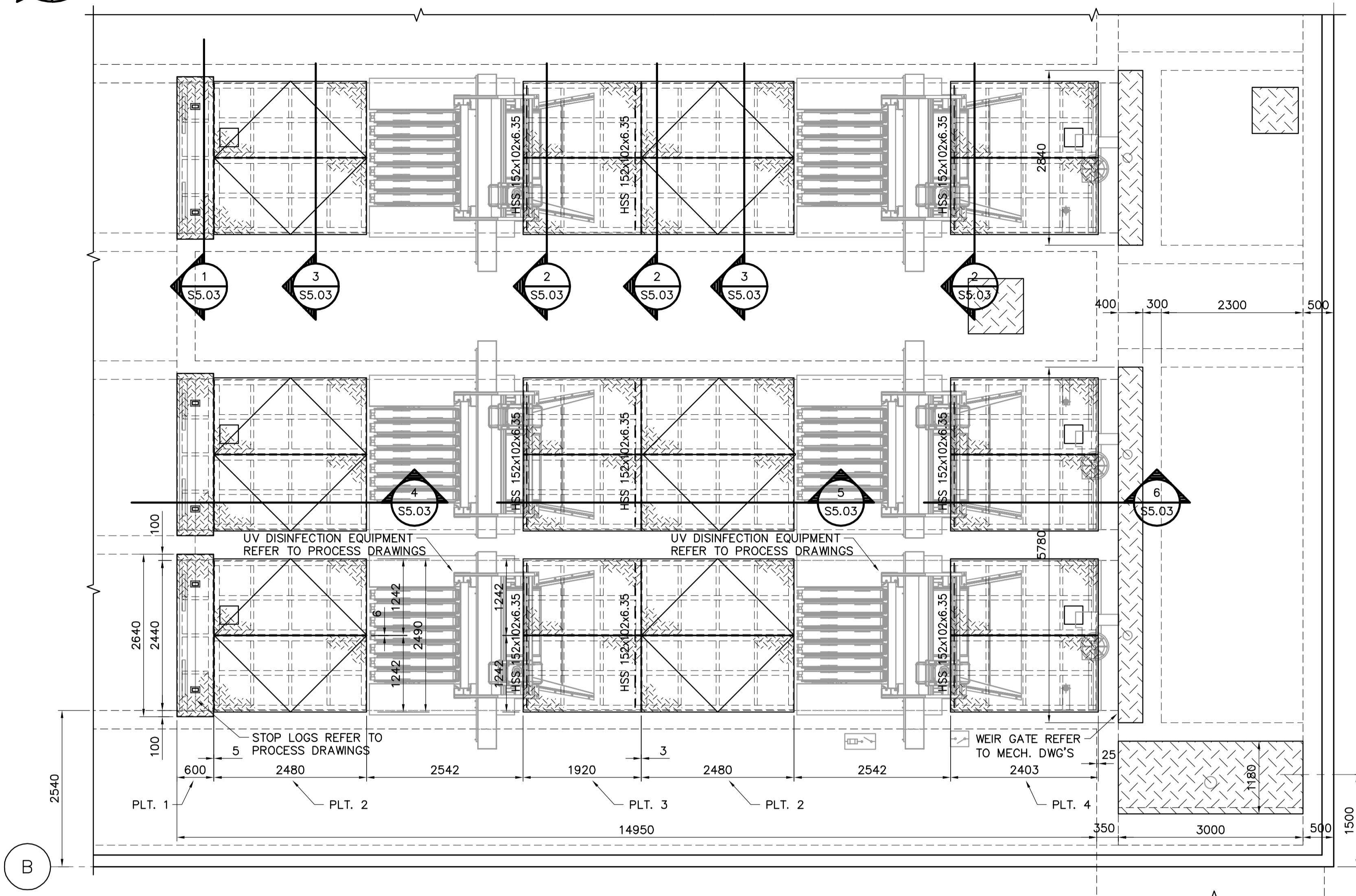


2



B.M. ELEV.	<b>EARTH TECH</b>		ENGINEER'S SEAL	<b>THE CITY OF WINNIPEG</b>	
	Earth Tech (Canada) Inc. Winnipeg, Manitoba 204.477.5381			Winnipeg WATER AND WASTE DEPARTMENT	
DESIGNED BY	RE, MK	CHECKED BY	GGP	ORIGINAL SIGNED BY	R.B. ERIC
DRAWN BY	CMS	APPROVED BY	DT	DATE	FEB. 18/05
HOR. SCALE:	AS NOTED	RELEASED FOR CONSTRUCTION BY:	T. KJARTANSON	CONSULTANT DRAWING NO.	66303D-CS5.03
VERTICAL SCALE:	AS NOTED	DATE	2005-01-31	DATE	2005-02-18
NO. REVISIONS		DATE			
				NEWPCC - SECONDARY EFFLUENT UV DISINFECTION FACILITY	
				STRUCTURAL UV CHAMBER ACCESS COVERS PLAN, SECTIONS AND DETAILS	
				CITY FILE NUMBER	
				SHEET 18 OF 18	
				CITY DRAWING NUMBER	