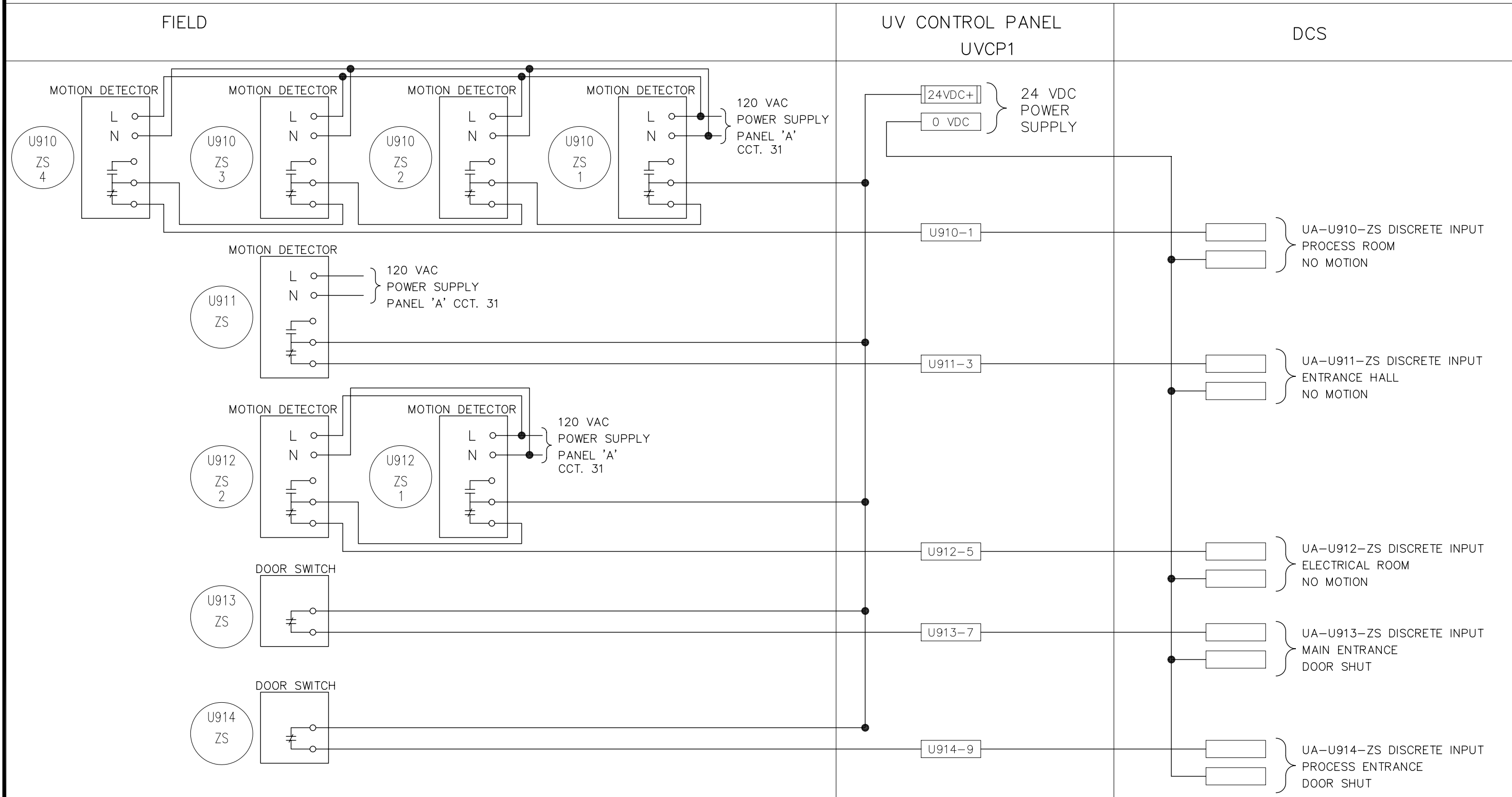


INSTRUMENT LOOP DIAGRAM

LOOP NO. U910, U911, U912, U913, U914



NOTE:



Earth Tech (Canada) Inc. Winnipeg, Manitoba 204.477.5381



**THE CITY OF WINNIPEG**

**WATER AND WASTE DEPARTMENT**

NEWPCC - SECONDARY EFFLUENT UV DISINFECTION FACILITY

SCALE AS NOTED  
 DATE 05 01 26  
 DES B\_JL D\_WN J\_BC  
 CKD B\_LM A\_PP S\_WT

05/02/18	ISSUED FOR TENDER	SWT
DATE	REVISION	APP.

INSTRUMENT LOOP DIAGRAM  
 INTRUSION ALARMS

DRAWING NO.  
 ILD-09