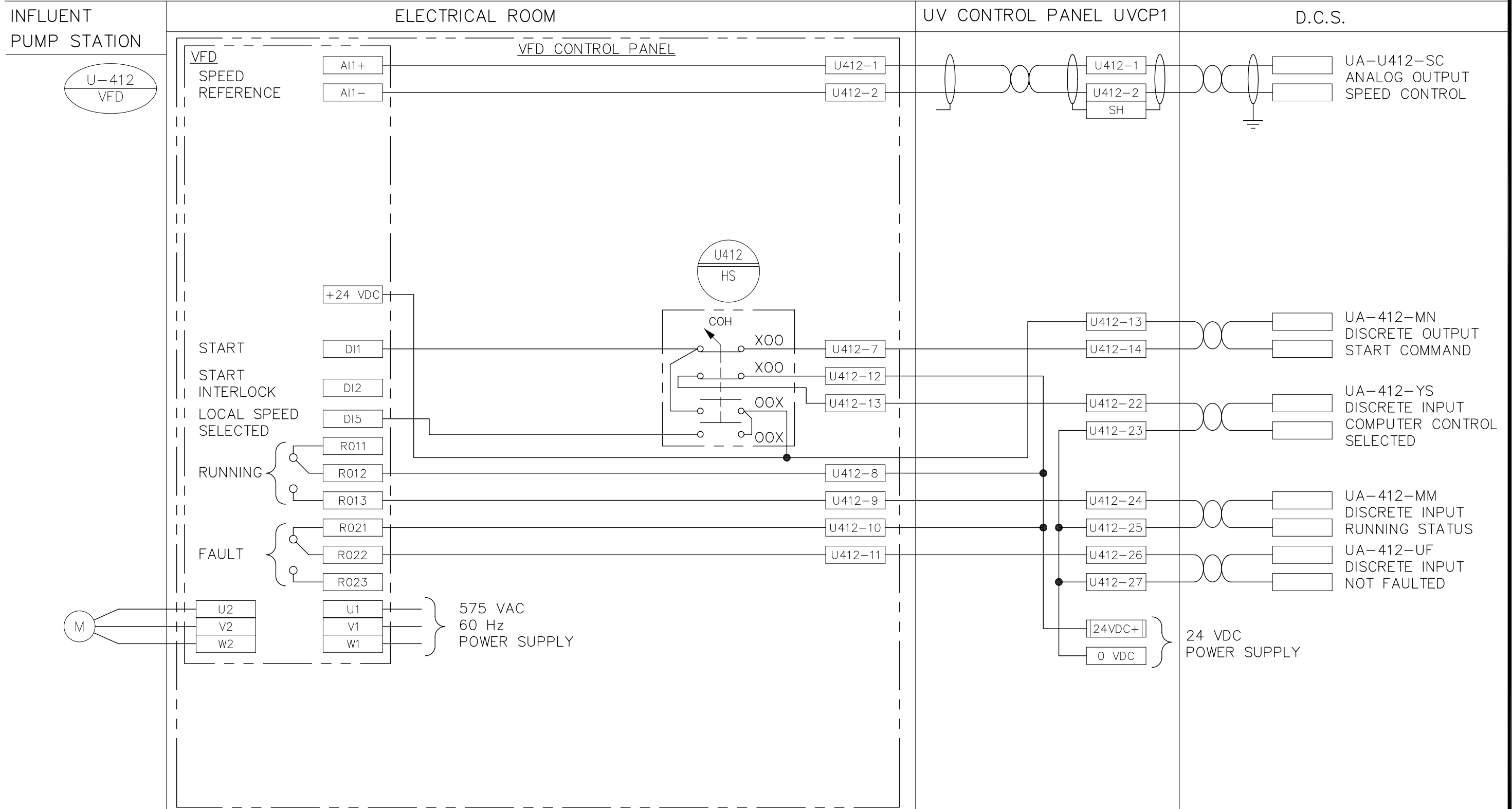


INSTRUMENT LOOP DIAGRAM

LOOP NO. U412



NOTE:
 LOOP U412 SHOWN. TYPICAL FOR
 LOOPS U411, U416, U417, U421,
 U424, U426.



Earth Tech (Canada) Inc. Winnipeg, Manitoba 204.477.5381



THE CITY OF WINNIPEG

WATER AND WASTE DEPARTMENT

NEWPCC - SECONDARY EFFLUENT UV DISINFECTION FACILITY

SCALE AS NOTED
 DATE 05 02 18
 DES BJJ DWN CPG
 CKD BLM APP SWT

05/02/18	ISSUED FOR TENDER	SWT
DATE	REVISION	APP.

INSTRUMENT LOOP DIAGRAM
 TYPICAL HVAC VFD

DRAWING NO.
 ILD-15