

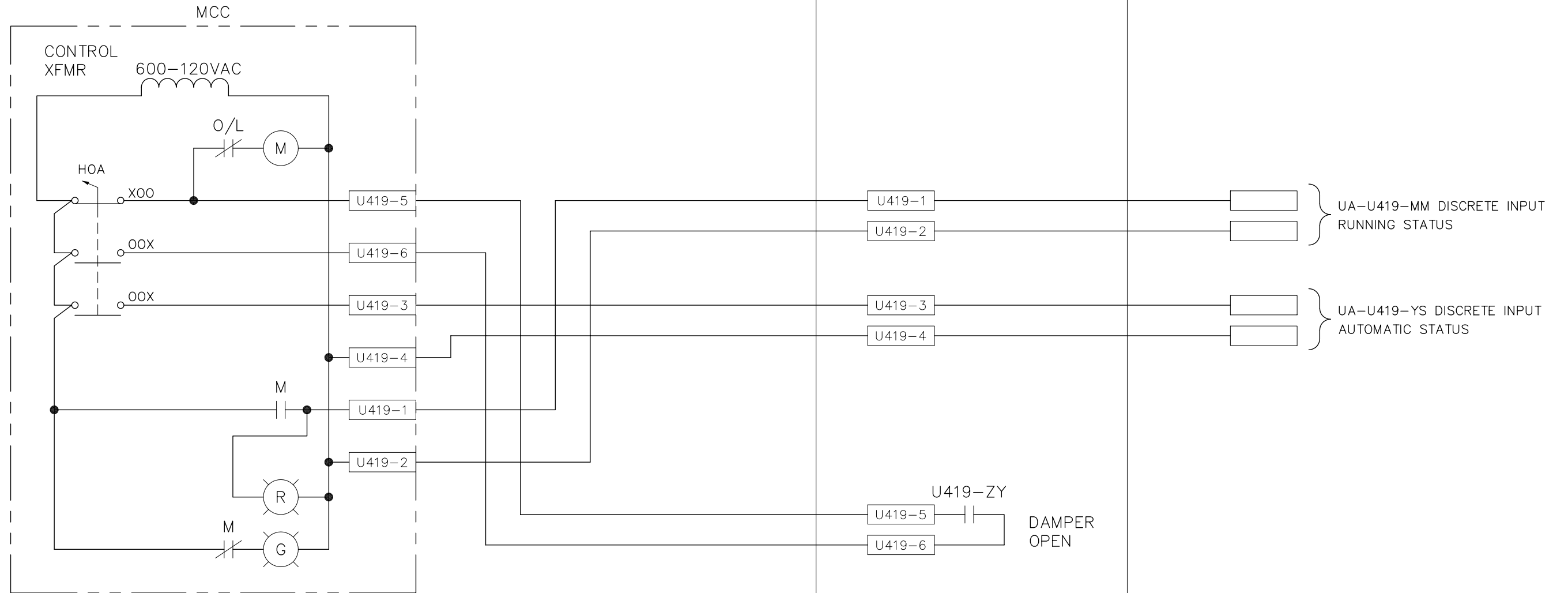
INSTRUMENT LOOP DIAGRAM

LOOP NO. U419

FIELD

UV CONTROL PANEL
UVCP1

DCS



NOTE:



Earth Tech (Canada) Inc. Winnipeg, Manitoba 204.477.5381



THE CITY OF WINNIPEG

WATER AND WASTE DEPARTMENT

NEWPCC - SECONDARY EFFLUENT UV DISINFECTION FACILITY

SCALE AS NOTED

DATE 05 02 18

DES B JL DWN CPG

CKD BLM APP SWT

05/02/18	ISSUED FOR TENDER	SWT
DATE	REVISION	APP.

INSTRUMENT LOOP DIAGRAM
ELECTRICAL ROOM EXHAUST FAN

DRAWING NO.

ILD-18