

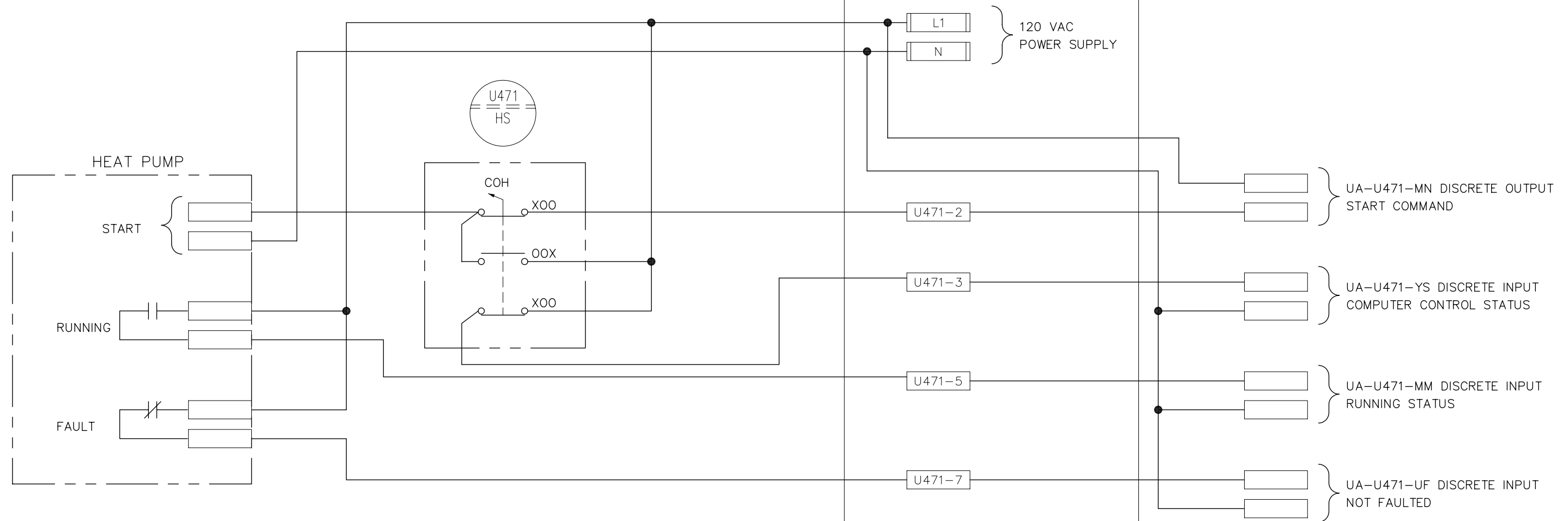
INSTRUMENT LOOP DIAGRAM

LOOP NO. U471

FIELD

UV CONTROL PANEL
UVCP1

DCS



NOTE: 1. LOOP U471 SHOWN.
TYPICAL FOR LOOPS U472,
U473, U469, U470, U486,
U487, U488, U489



Earth Tech (Canada) Inc. Winnipeg, Manitoba 204.477.5381



THE CITY OF WINNIPEG

WATER AND WASTE DEPARTMENT

NEWPCC – SECONDARY EFFLUENT UV DISINFECTION FACILITY

SCALE AS NOTED
DATE 05 02 18
DES B JL DWN ERC
CKD BLM APP SWT

05/02/18	ISSUED FOR TENDER	SWT
DATE	REVISION	APP.

INSTRUMENT LOOP DIAGRAM
HEAT PUMP

DRAWING NO.
ILD-20