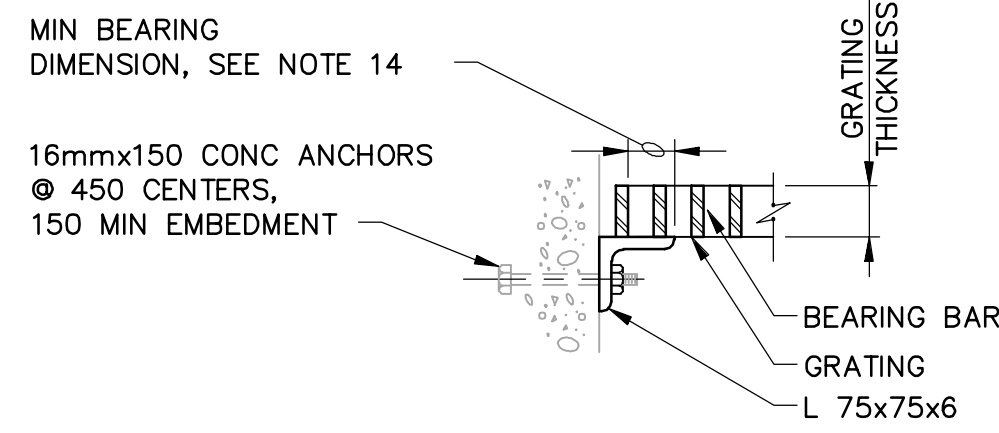
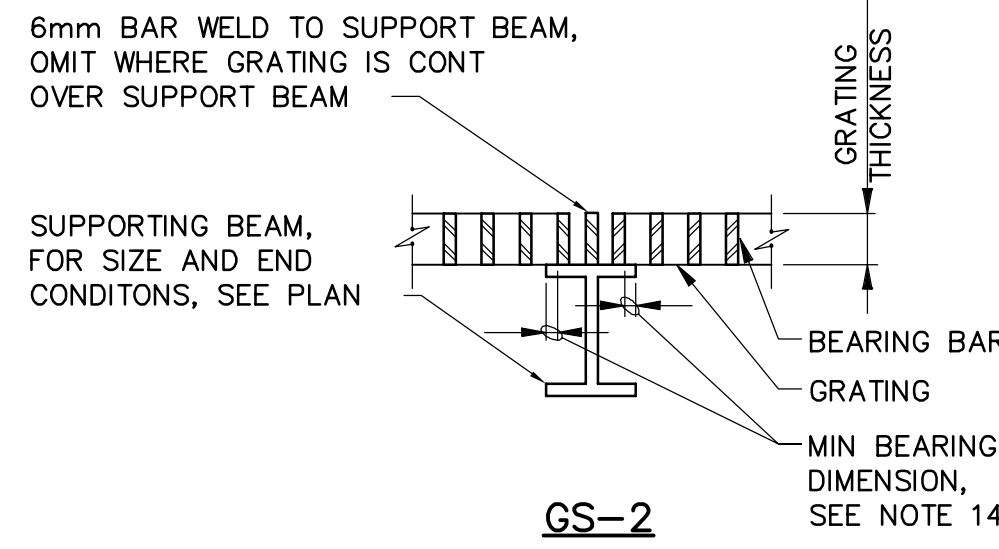


GENERAL NOTES:

1. EXTEND GRATING CONTINUOUSLY OVER GATE GUIDES AND GATES.
2. NOTCH GRATING SUPPORTS AT GATES AS REQUIRED.
3. GRATING SPAN SEE PLAN.
4. WIDTH OF GRATING SECTIONS SHALL NOT EXCEED 900mm.
5. SHOP DRAWINGS BASED ON FIELD DIMENSIONS SHALL BE SUBMITTED TO THE CONTRACT ADMINISTRATOR PRIOR TO FABRICATION.
6. MATERIAL FOR SUPPORTS OF STEEL AND ALUMINUM GRATING TO BE SAME AS GRATING, EXCEPT METAL SUPPORTS THAT ARE TO BE EMBEDDED IN CONCRETE SHALL BE TYPE 316 STAINLESS STEEL.
7. UNLESS NOTED OTHERWISE ON PLANS, GRATING THICKNESS SHALL BE AS TABULATED IN "GRATING THICKNESS TABLE" FOR APPLICABLE TRAFFIC.
8. BEARING BAR THICKNESS FOR GRATING TO BE 4.8mm MINIMUM.
9. BAND ALL EDGES WITH 5mm x DEPTH OF BEARING BAR.
10. PROVIDE MISCELLANEOUS GRATING FASTENERS AS REQUIRED.
11. TYPE OF MATERIAL USED SHALL BE AS SHOWN ON PLANS OR AS SPECIFIED. THIS STANDARD DETAIL INCLUDES 2 TYPES, ALTHOUGH BOTH MAY NOT BE INCLUDED IN PROJECT.
12. THE HORIZONTAL CLEARANCE BETWEEN THE GRATING AND GRATING SUPPORTS SHALL NOT BE LESS THAN 6mm NOR GREATER THAN 13mm AND AS SPECIFIED.
13. ALL GRATING SECTIONS, WHEN IN PLACE, SHALL ALWAYS BE FIRMLY ANCHORED TO THEIR SUPPORTS AS SPECIFIED.
14. MIN BEARING HORIZONTAL DIMENSION = 25mm FOR GRATING DEPTH 57mm OR LESS, MIN BEARING HORIZONTAL = 50mm FOR GRATING DEPTH GREATER THAN 57mm



NOTE:
USE GS-3 ONLY FOR FOOT TRAFFIC GRATING.

MAXIMUM SPAN (mm)	BEARING BARS	
	STEEL	ALUMINUM
300	51x4.8	DO NOT USE ALUMINUM GRATING
500	64x6.4	
600	64x9.5 OR 76x6.4	
750	76x9.5 OR 102x6.4	
1000	89x9.5	
1200	102x9.5	
1500	114x9.5	

MAXIMUM SPAN (mm)	BEARING BARS	
	STEEL	ALUMINUM
300	44x4.8	44x4.8
450	44x4.8	44x4.8
600	51x4.8	51x4.8
750	57x4.8	57x4.8
900	64x4.8	64x4.8
1200	64x6.4	DO NOT USE ALUMINUM GRATING
1500	64x9.5	
1800	64x9.5	
2100	76x9.5	

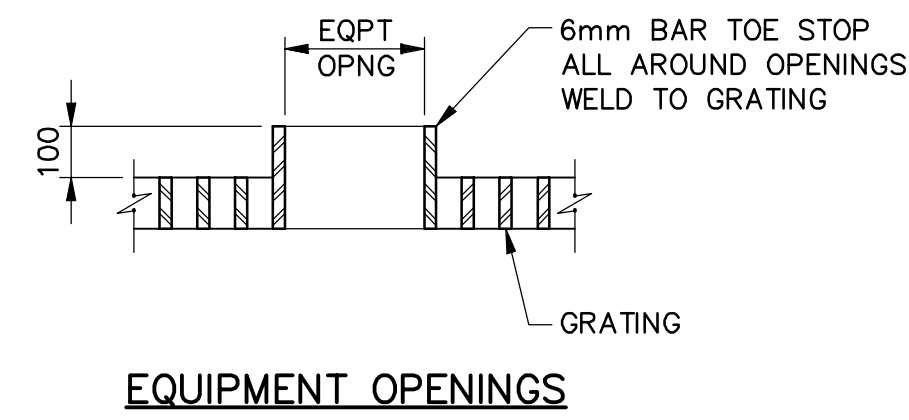
GRATING THICKNESS TABLE		
MAXIMUM SPAN (mm)	ALUMINUM (mm)	STEEL (mm)
1050	32	25
1200	38	25
1350	44	25
1500	44	32
1650	51	32
1800	57	38
1950	57	38
2100	64	44

VEHICULAR TRAFFIC NOTE:

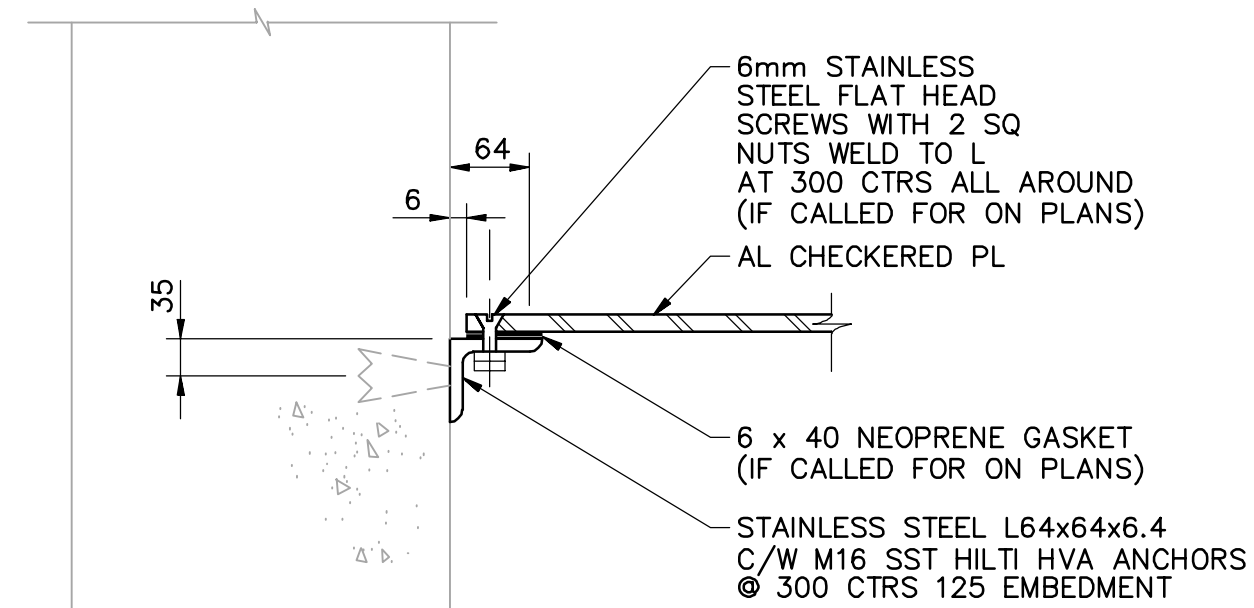
STEEL GRATING BEARING BARS FOR VEHICULAR TRAFFIC SHALL BE SPACED AT 48mm OC; ALUMINUM GRATING BEARING BARS FOR VEHICULAR TRAFFIC SHALL BE SPACED AT 30mm OC.

SERRATED BEARING BARS:

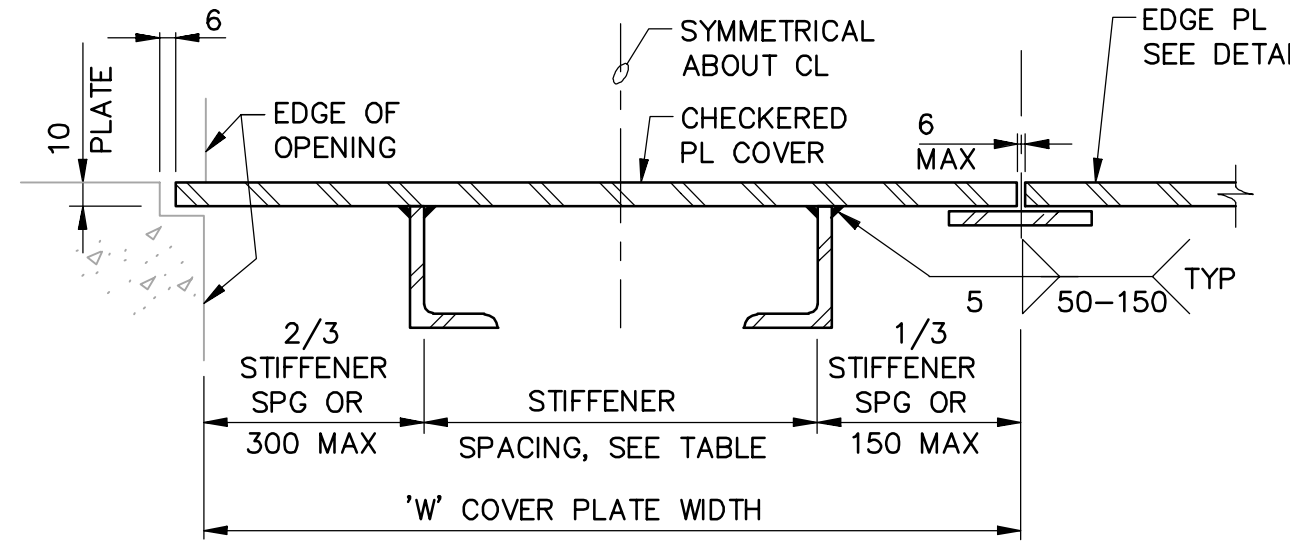
INCREASE GRATING THICKNESSES SHOWN IN TABLES BY 6mm FOR GRATING WITH SERRATED SLIP RESISTANT SURFACES.



1 STANDARD GRATING
N.T.S.



3 WALL SUPPORT FOR CHECKERED ALUMINUM FLOOR PLATE
N.T.S.

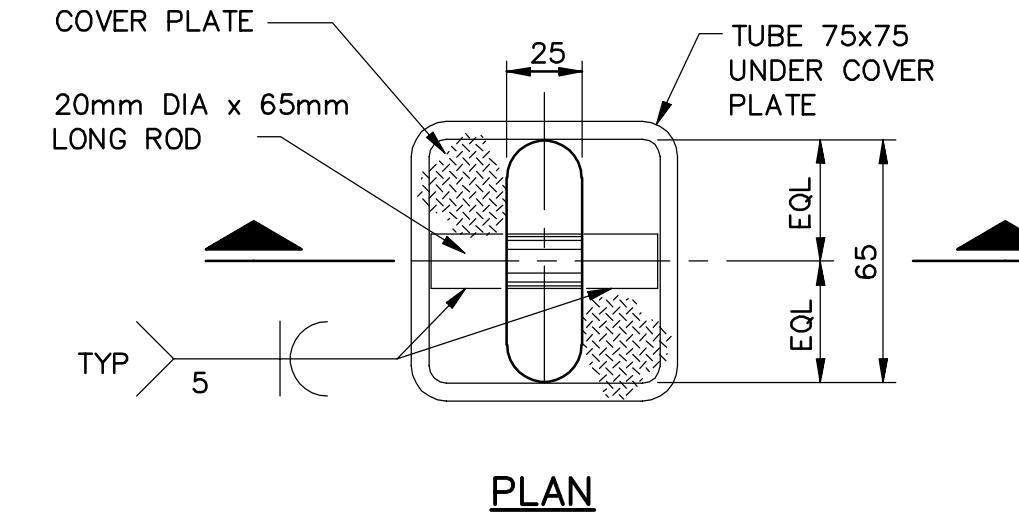


OPENING SPAN LENGTH 'L' (mm)	STIFFENER SIZE	MAX STIFFENER SPACING (mm)	MAX PLATE WIDTH 'W' (mm)
L<750	NONE	-	1500
750<L<1050	L51x38x6.4	450	1200
1050<L<1200	L64x38x6.4	450	1200
1200<L<1350	L64x38x6.4	375	1200
1350<L<1500	L76x51x6.4	450	1200
1500<L<1650	L76x51x6.4	375	900
1650<L<1800	L89x64x6.4	450	900
1800<L<1950	L89x64x6.4	375	750
1950<L<2100	L102x76x6.4	375	750
2100<L<2250	L102x76x6.4	300	600

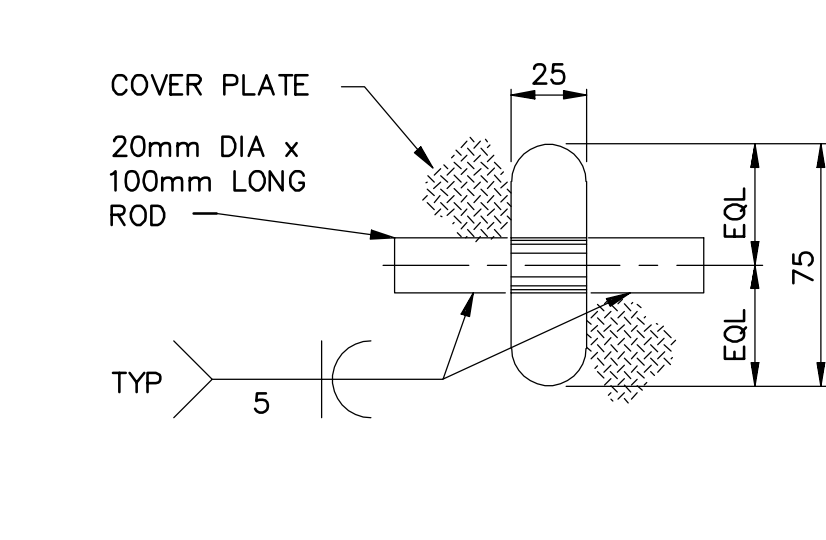
NOTES:

1. STIFFENERS TO BE PLACED LONG LEG VERTICAL.
2. SPAN DIRECTION OF PLATE TO BE PARALLEL TO STIFFENERS, AND SHALL BE SHORT DIMENSION OF OPENING UNLESS NOTED OTHERWISE ON PLANS.
3. MAXIMUM ALLOWABLE UNIFORM DESIGN LOAD = 15 kPa.
4. MAXIMUM WEIGHT OF COVER PLATE TO BE 55 kg.
5. COVER PLATES AND STIFFENERS ARE ALUMINUM PLATES AND ANGLES.
6. ALL COVER PLATES TO HAVE A MINIMUM OF TWO EYES AS SHOWN IN LIFTING EYE DETAILS.

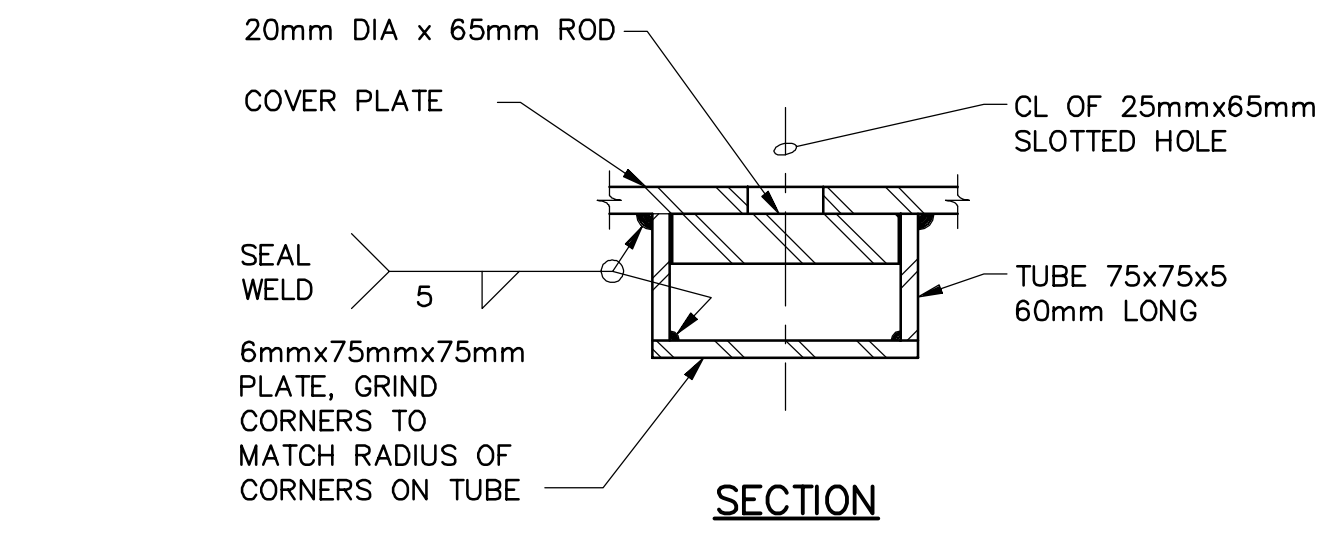
COVER STIFFENERS



PLAN



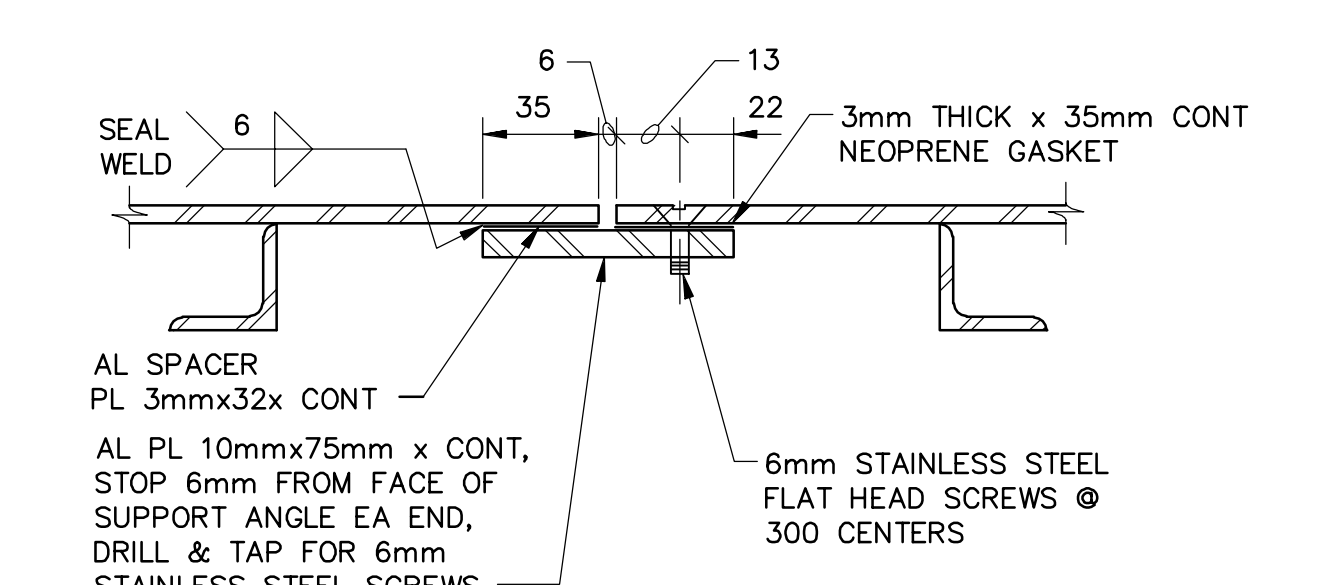
LIFTING EYE TYPE "A"



SECTION

NOTE:
THE DETAIL IS APPLICABLE TO GASKETED COVERS AND OTHER AIR TIGHT COVERS.

LIFTING EYE TYPE "B"



EDGE PLATE DETAIL

NOTE:
THIS DETAIL APPLIES AT GASKETED COVERS AND OTHER AIRTIGHT COVERS.

2 CHECKERED ALUMINUM FLOOR PLATE
N.T.S.

<p>Certificate of Authorization CH2M HILL Canada Ltd. No. 1441 Expiry: April 30, 2006</p>	B.M. ELEV.	<p>Frederickson Cooper ARCHITECTS</p>	<p>A Terra International Ltd. Company</p>	ENGINEER'S SEAL	<p>THE CITY OF WINNIPEG WATER AND WASTE DEPARTMENT ENGINEERING DIVISION</p>
	<p>DESIGNED BY DK</p> <p>DRAWN BY CA</p> <p>SCALE: NTS</p> <p>NO. REVISIONS</p>	<p>CHECKED BY AP</p> <p>APPROVED BY AHL</p> <p>RELEASED FOR CONSTRUCTION BY: R. SOROKOWSKI</p> <p>DATE 2006/01/03</p>	<p>ORIGINAL SIGNED BY D. KRUGER</p> <p>DATE 2006/04/21</p> <p>CONSULTANT DRAWING NO. WB-S7453</p>	<p>WATER TREATMENT PLANT MAIN BUILDING MECHANICAL AND ELECTRICAL</p> <p>STRUCTURAL</p> <p>STANDARD DETAILS</p>	