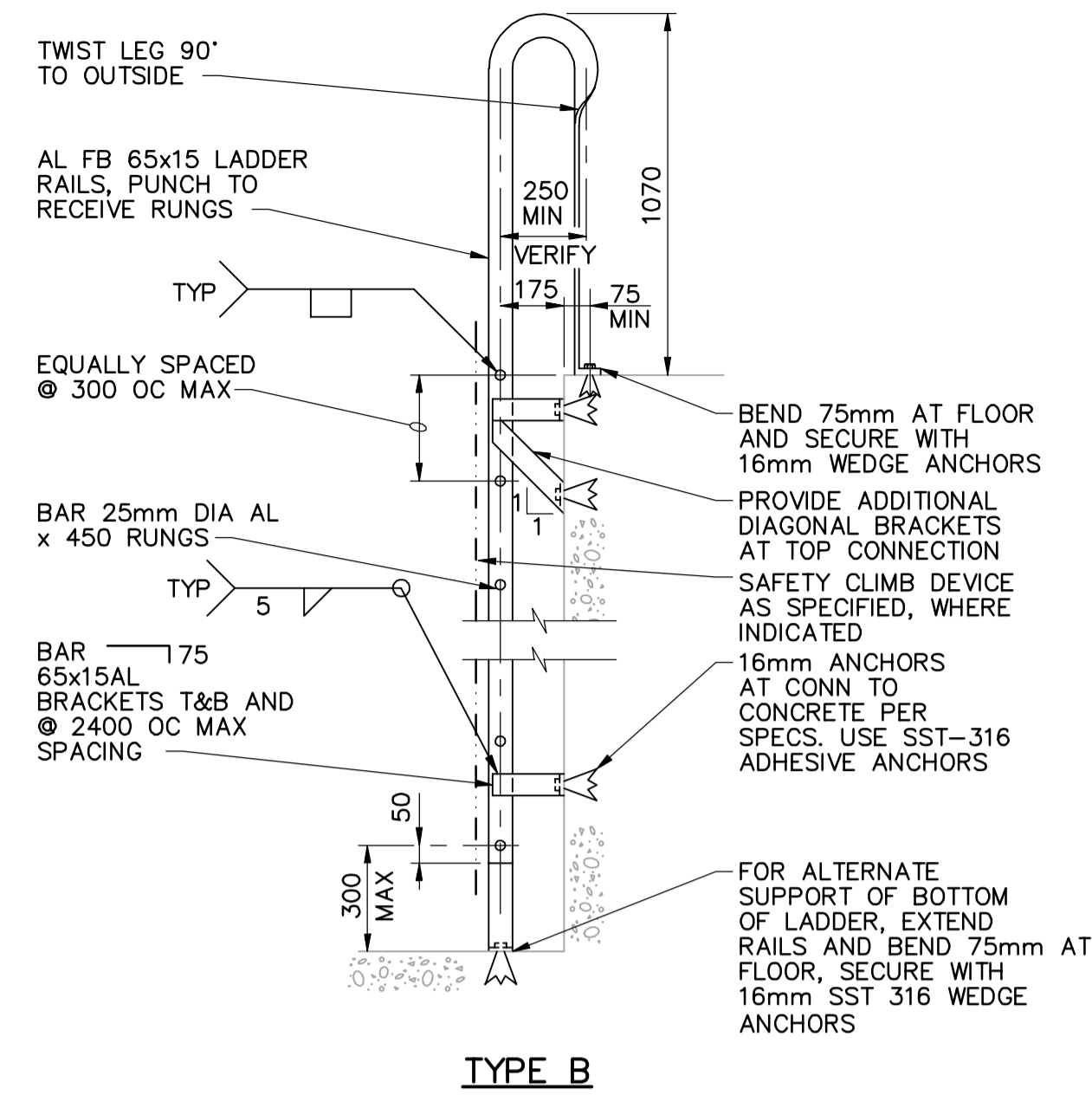


TYPE A

NOTE:
1. PROVIDE PROTECTION FOR ALUMINUM IN CONTACT WITH CONCRETE AS SPECIFIED.

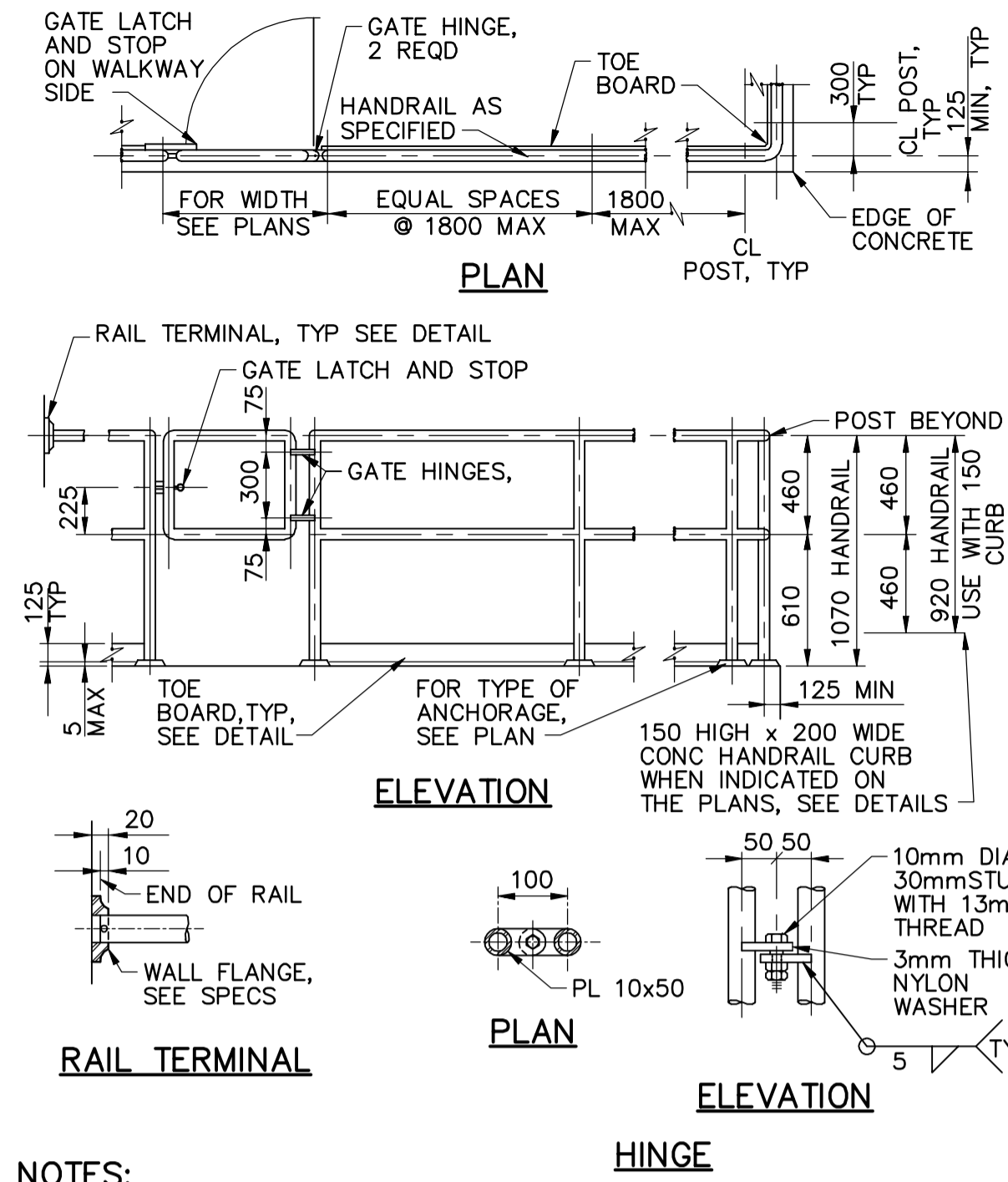
1 FLAT BAR LADDER UNDER COVER-ALUMINUM
- N.T.S.



TYPE B

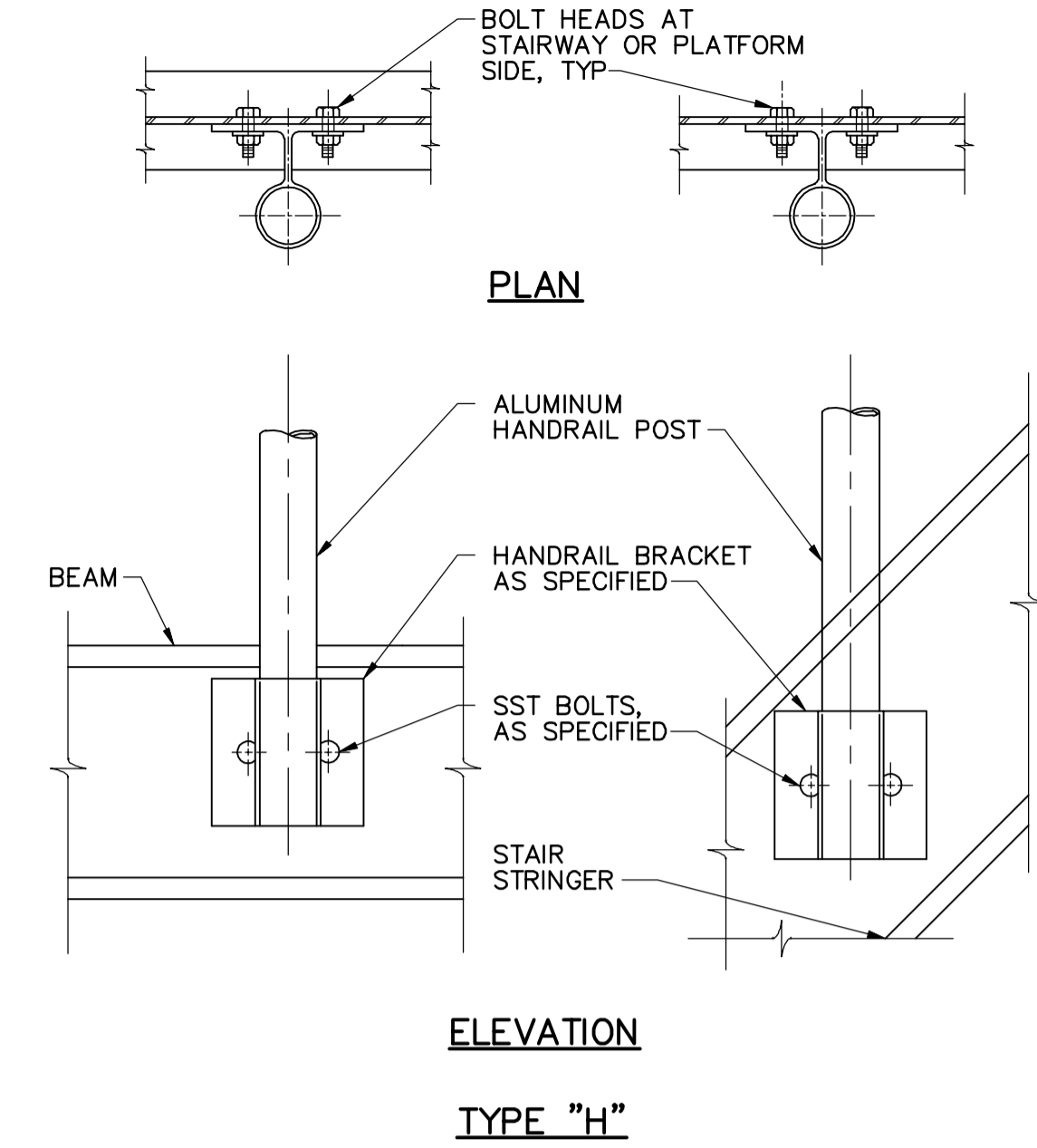
NOTE:
1. PROVIDE PROTECTION FOR ALUMINUM IN CONTACT WITH CONCRETE AS SPECIFIED.

2 FLAT BAR LADDER WITH EXTENSION-ALUMINUM
- N.T.S.



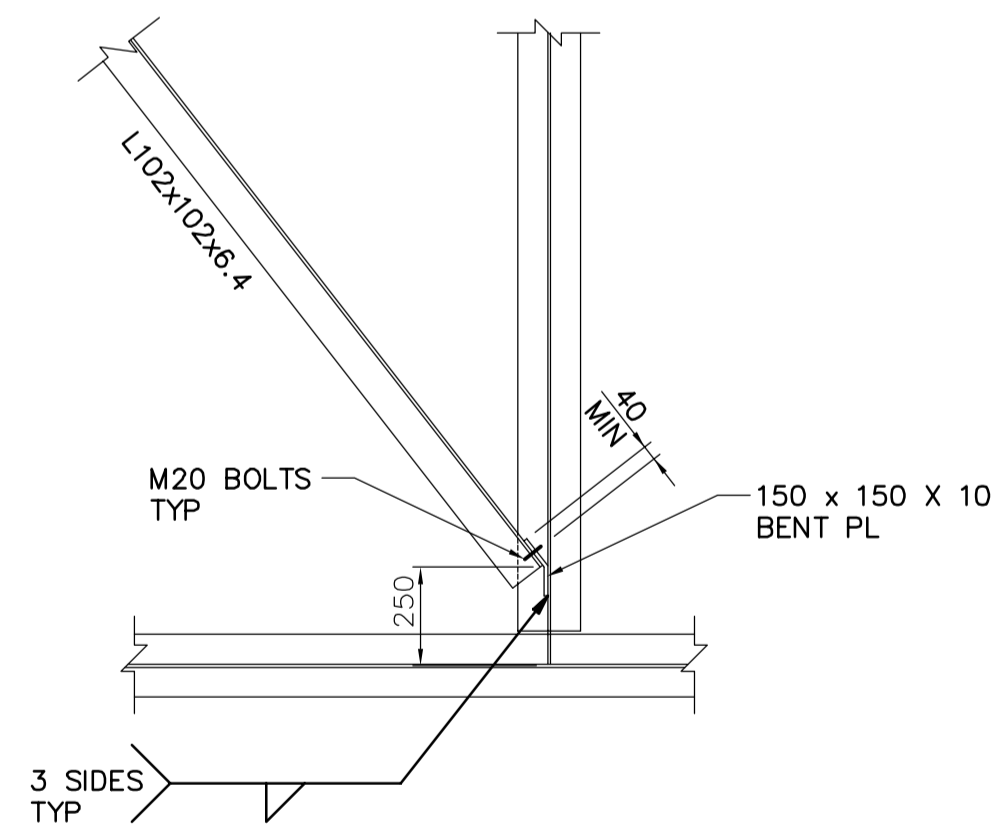
NOTES:
1. FASTEN RAIL TO WALL FLANGE PER MANUFACTURERS RECOMMENDATIONS.
2. WALL FLANGE TO BE MOUNTED TO WALL WITH (2) 10mm DIA SST WEDGE ANCHORS.
3. AT CONTRACTOR'S OPTION FABRICATE HINGES OR PROVIDE OTHER HINGES AS SPECIFIED. ANODIZE FINISH AFTER ALL WELDING AS SPECIFIED.
4. USE GATES WHERE SHOWN ON PLANS.

3 TWO-RAIL HANDRAIL-ALUMINUM
- N.T.S.



NOTE:
PROVIDE PROTECTION FOR DISSIMILAR METALS AND CONCRETE PER SPECIFICATIONS.

4 HANDRAIL POST ANCHORAGE-ALUMINUM
- N.T.S.



5 DIAGONAL BRACING CONNECTION
- N.T.S.

NOTE:
THIS DRAWING ONLY TO BE USED FOR THE RESIDUALS HANDLING AREA, DETAILS **3** AND **4** ONLY W/ DRAWINGS WR-S7403.



B.M. ELEV.			
DESIGNED BY	DK	CHECKED BY	AP
DRAWN BY	CA	APPROVED BY	AHL
SCALE:	NTS	RELEASED FOR CONSTRUCTION BY:	R. SOROKOWSKI
NO. REVISIONS	DATE	DATE	DATE
00	742-2005 ADDENDUM 1	06/04/21	DK
		2006/04/10	

CH2MHILL
Frederickson Cooper
ARCHITECTS

EarthTech
A Tyco International Ltd. Company

ENGINEER'S SEAL
ORIGINAL SIGNED BY
D. KRUGER
2006/04/21

CONSULTANT DRAWING NO.
WB-S7457

THE CITY OF WINNIPEG
WATER AND WASTE DEPARTMENT
ENGINEERING DIVISION

WATER TREATMENT PLANT
MAIN BUILDING
MECHANICAL AND ELECTRICAL

STRUCTURAL
STANDARD DETAILS

CITY FILE NUMBER
SHEET OF
CITY DRAWING NUMBER
1-0601B-A-S7457-001-000