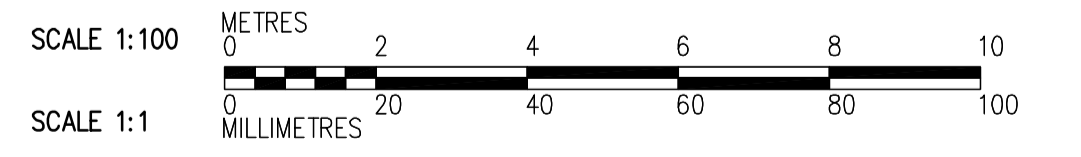
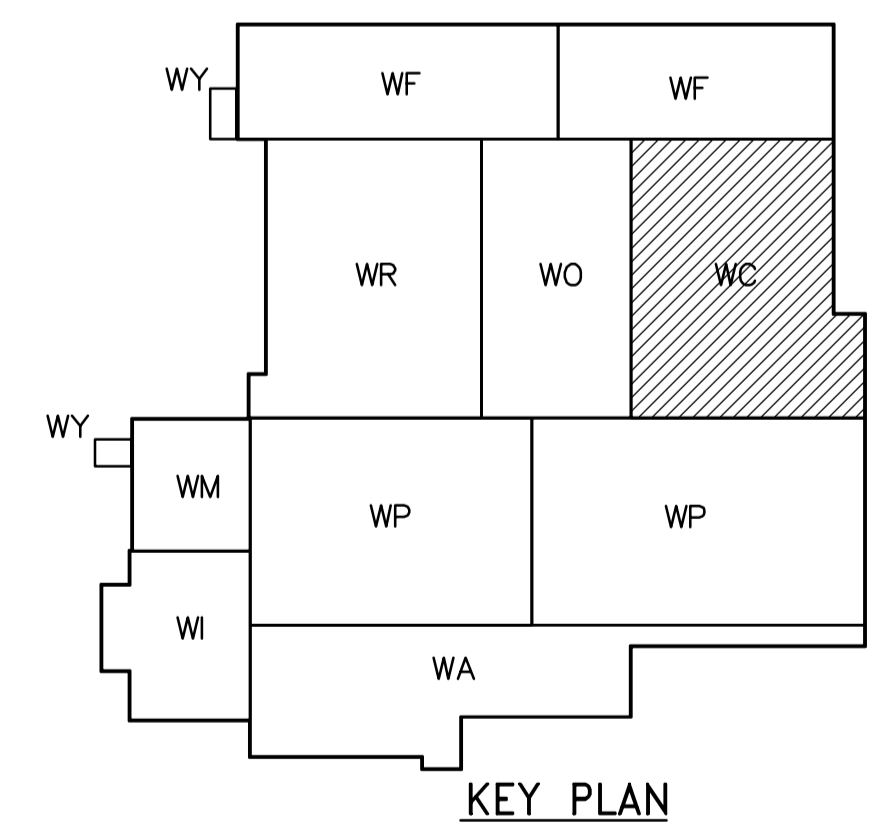
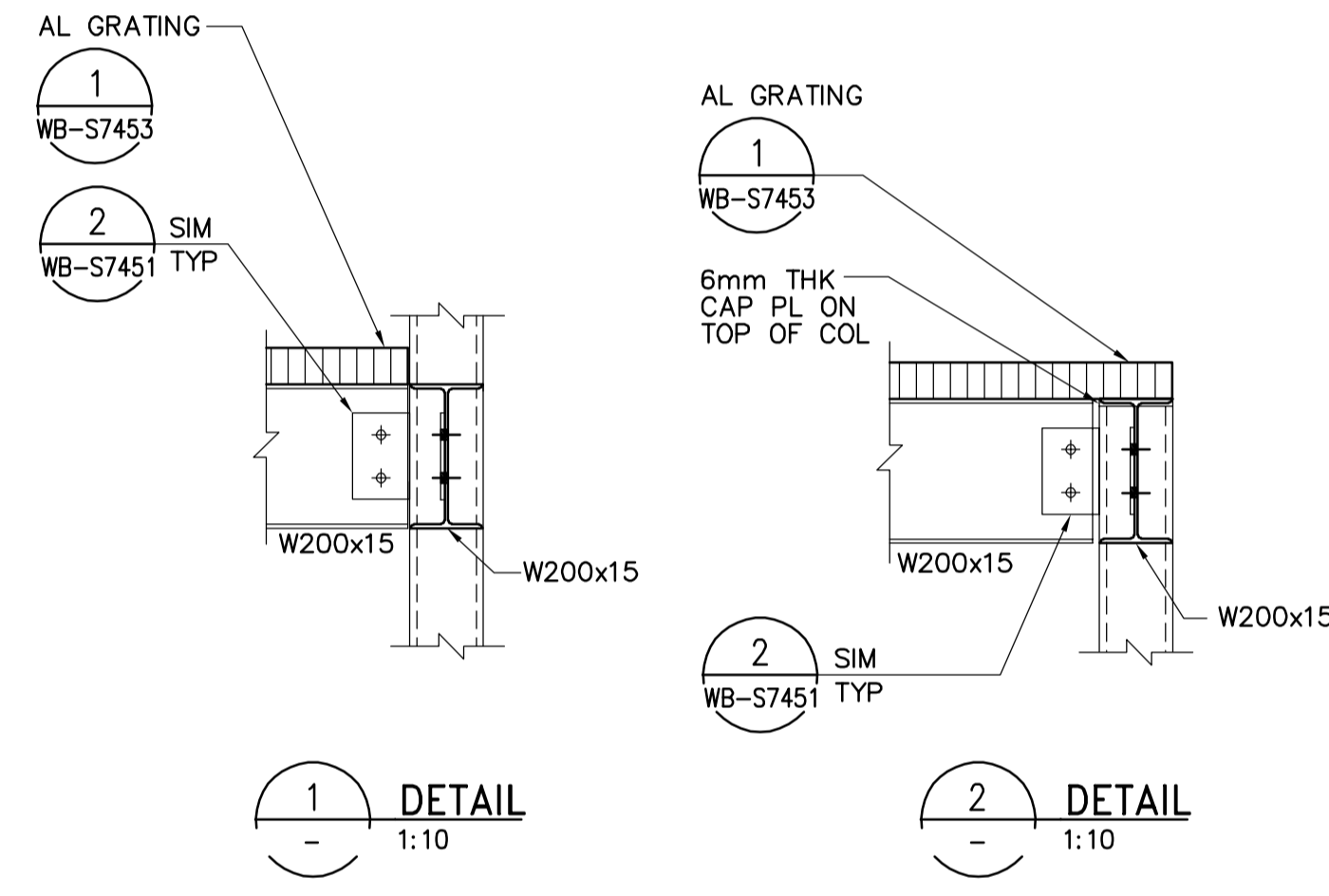
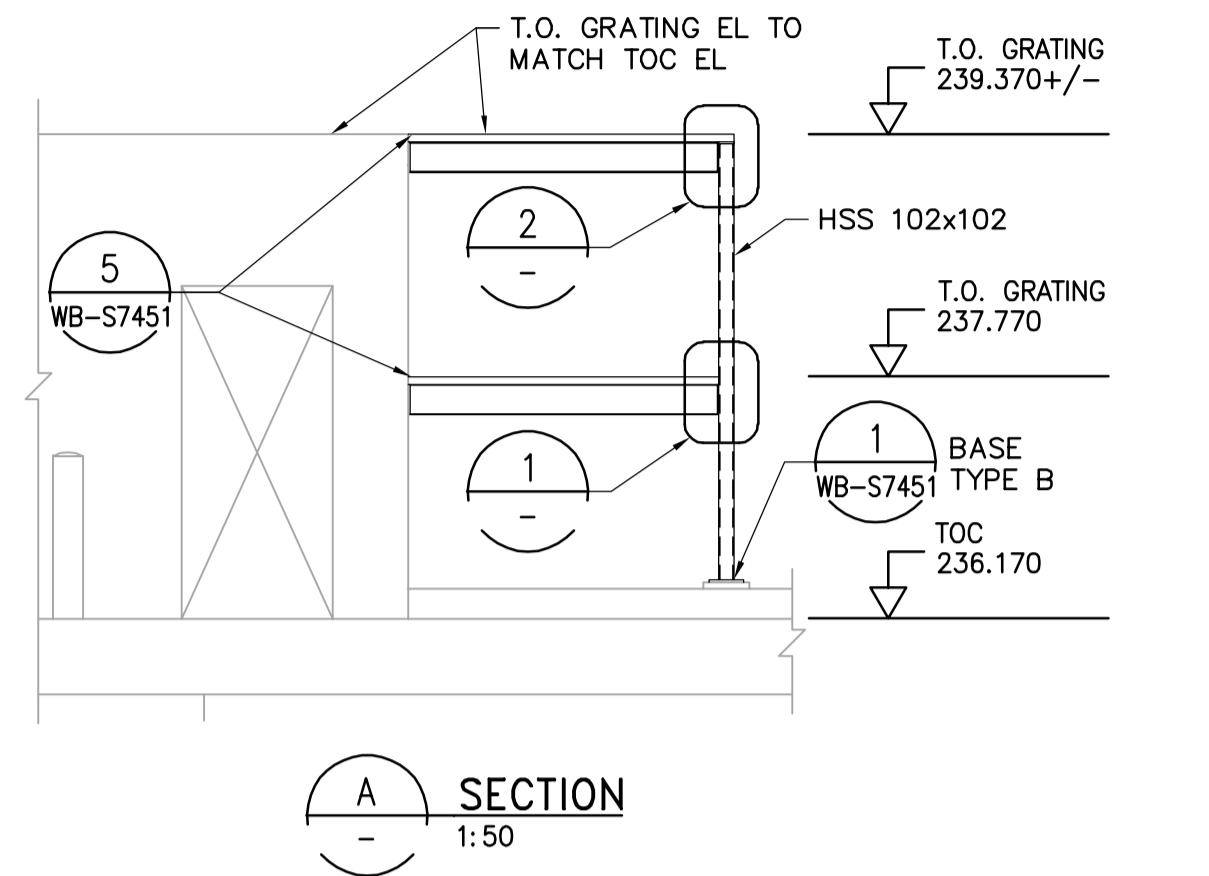


- NOTES:**
1. GALVANIZE STEEL FRAMING AFTER FABRICATION.
 2. DESIGN LIVE LOAD ON PLATFORMS IS 4.8 kPa UNLESS NOTED OTHERWISE.
 3. PROVIDE PROTECTION BETWEEN DISSIMILAR METALS AS PER SPECIFICATIONS.
 4. SEE SPECIFICATIONS FOR ALL FRP STAIRS, PLATFORMS AND HANDRAILS.
 5. SITE VERIFY ALL DIMENSIONS PRIOR TO FABRICATION.
 6. PROVIDE FRP HANDRAILING AND GUARDRAILING FOR FRP STAIRS AND PLATFORMS MORE THAN 600mm ABOVE CONCRETE FLOOR.



FIRST FLOOR PLAN
1:100

 APEGN Certificate of Authorization CH2M HILL Canada Ltd. No. 1441 Expiry: April 30, 2006	B.M. ELEV.	 Frederickson Cooper ARCHITECTS	 A Terra International Ltd. Company	ENGINEER'S SEAL	 THE CITY OF WINNIPEG WATER AND WASTE DEPARTMENT ENGINEERING DIVISION	
	DESIGNED BY EL			CHECKED BY AP		ORIGINAL SIGNED BY D. KRUGER
	DRAWN BY RL/CA			APPROVED BY AHL		2006/04/21
	SCALE: AS NOTED			RELEASED FOR CONSTRUCTION BY: R. SOROKOWSKI		CONSULTANT DRAWING NO. WC-S7111
NO. REVISIONS	DATE BY	DATE	DATE		WATER TREATMENT PLANT CHEMICAL FEED SYSTEMS MECHANICAL AND ELECTRICAL	
00	742-2005 ADDENDUM 1	06/04/21	EL		CITY FILE NUMBER	
					SHEET OF	
					CITY DRAWING NUMBER	
					1-0601C-A-S7111-001-000	