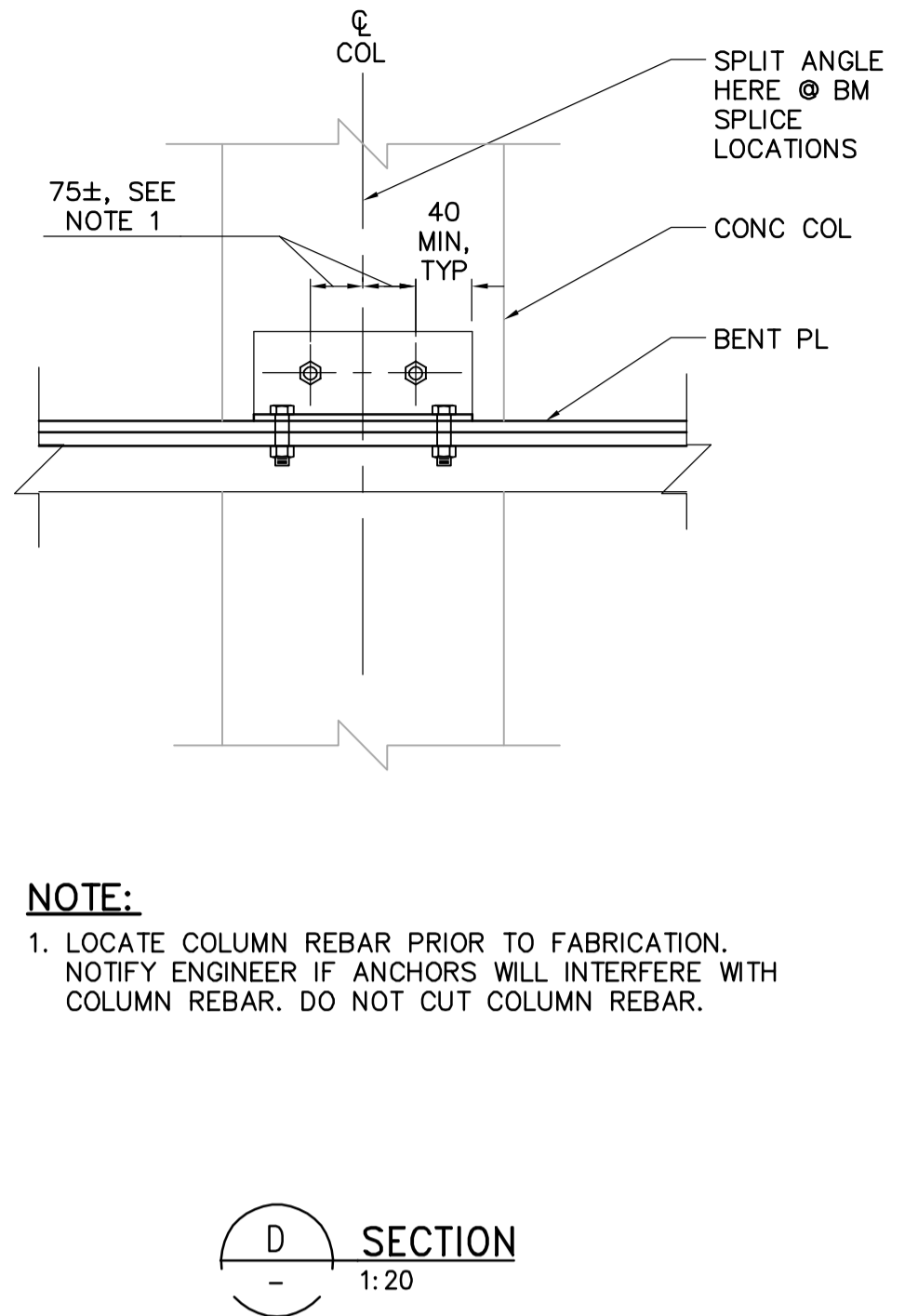
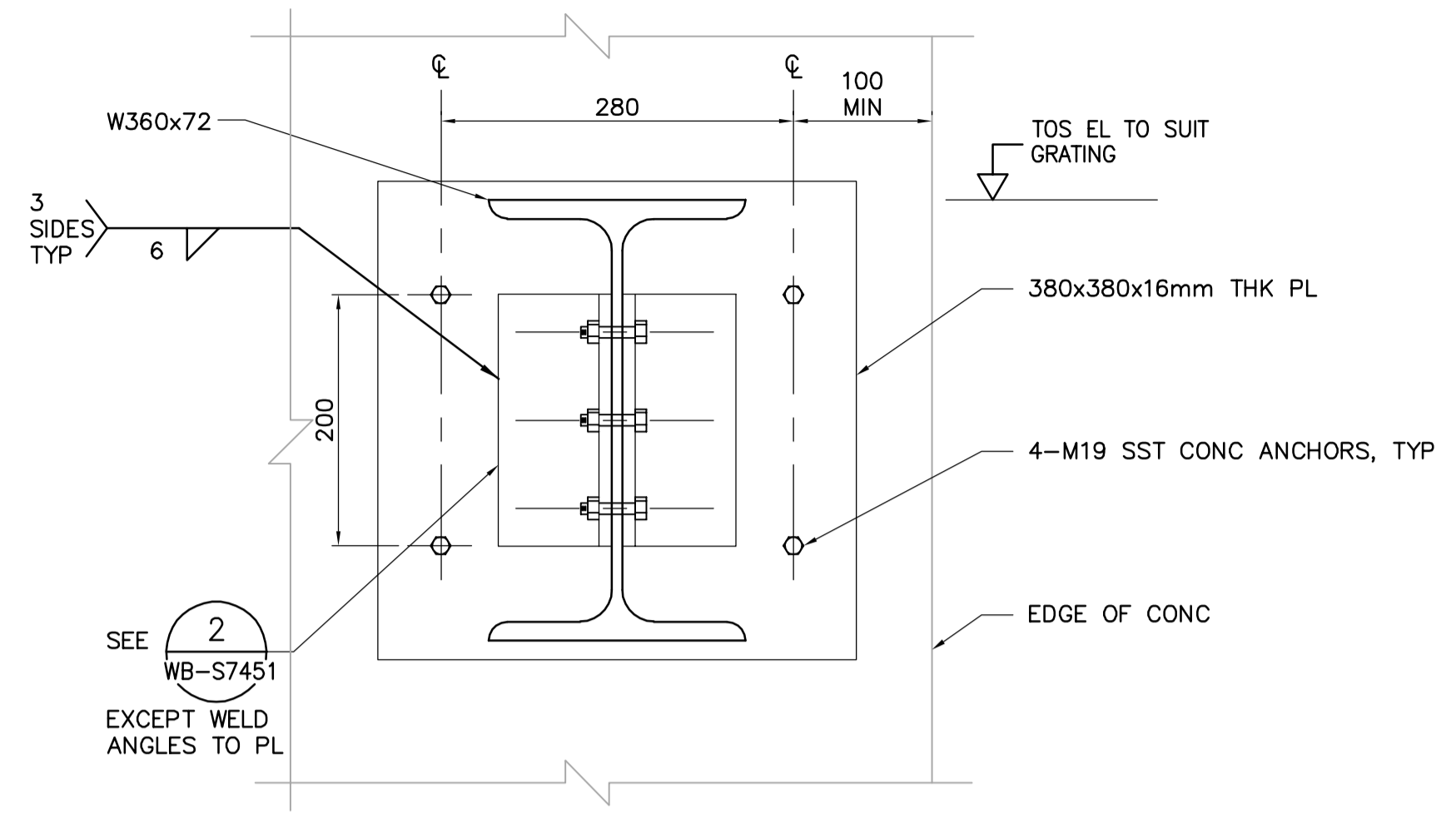


1 DETAIL
WC-S7121 1:20



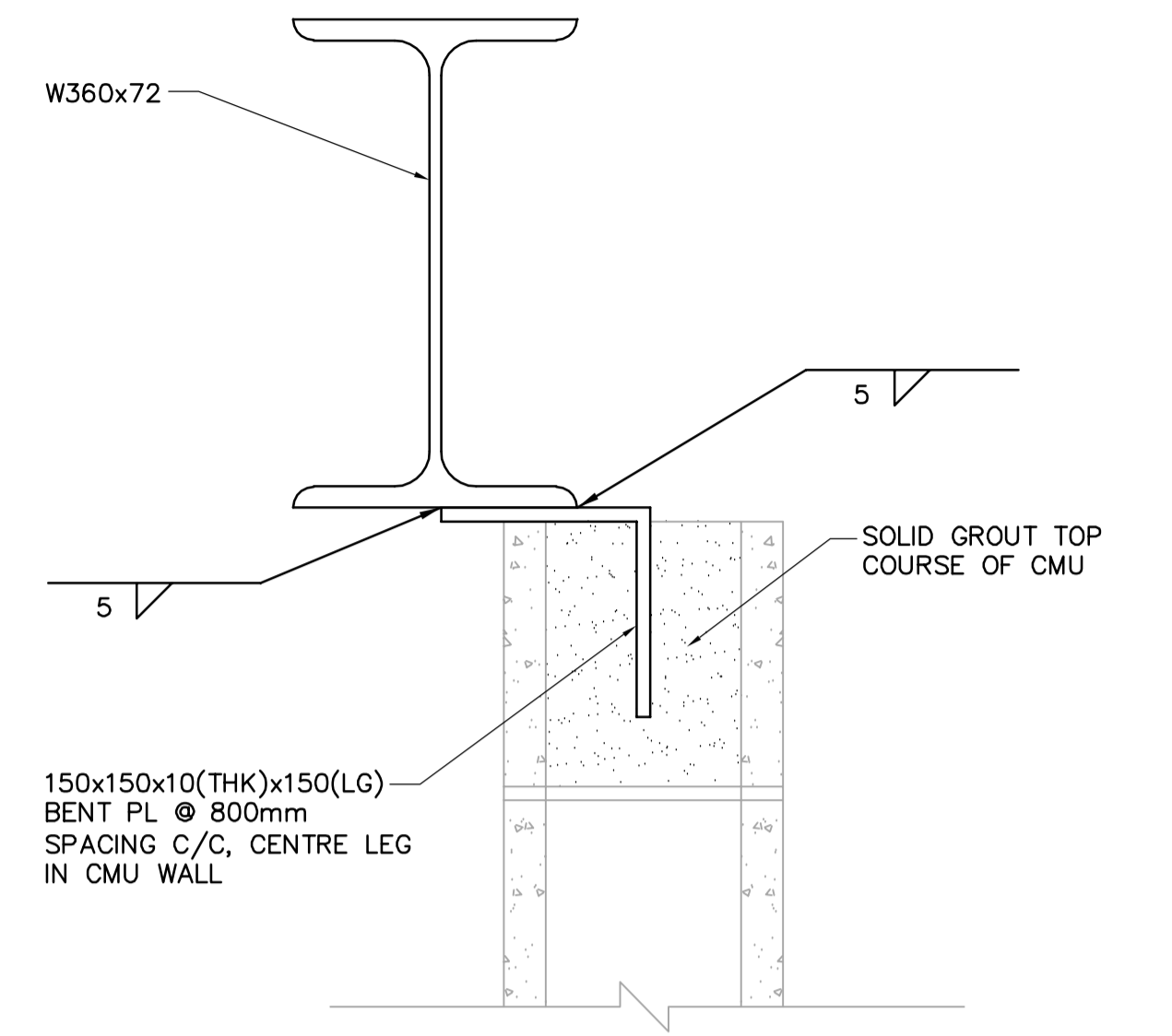
D SECTION
1:20

NOTE:
1. LOCATE COLUMN REBAR PRIOR TO FABRICATION. NOTIFY ENGINEER IF ANCHORS WILL INTERFERE WITH COLUMN REBAR. DO NOT CUT COLUMN REBAR.



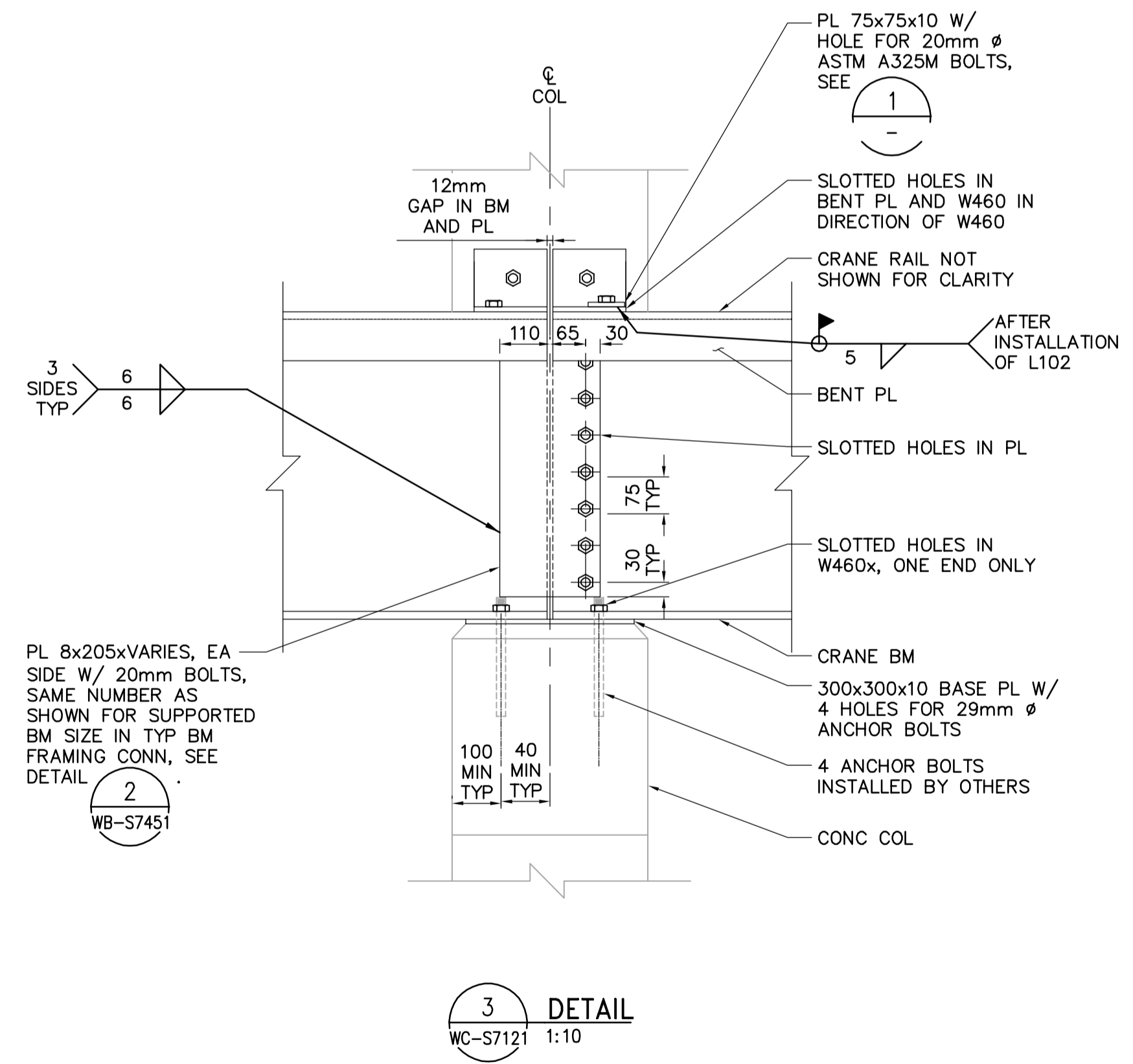
A SECTION
WC-S7121 1:5

NOTES:
1. GRATING NOT SHOWN FOR CLARITY, SEE PLANS.
2. PROVIDE PROTECTION BETWEEN DISSIMILAR METALS.

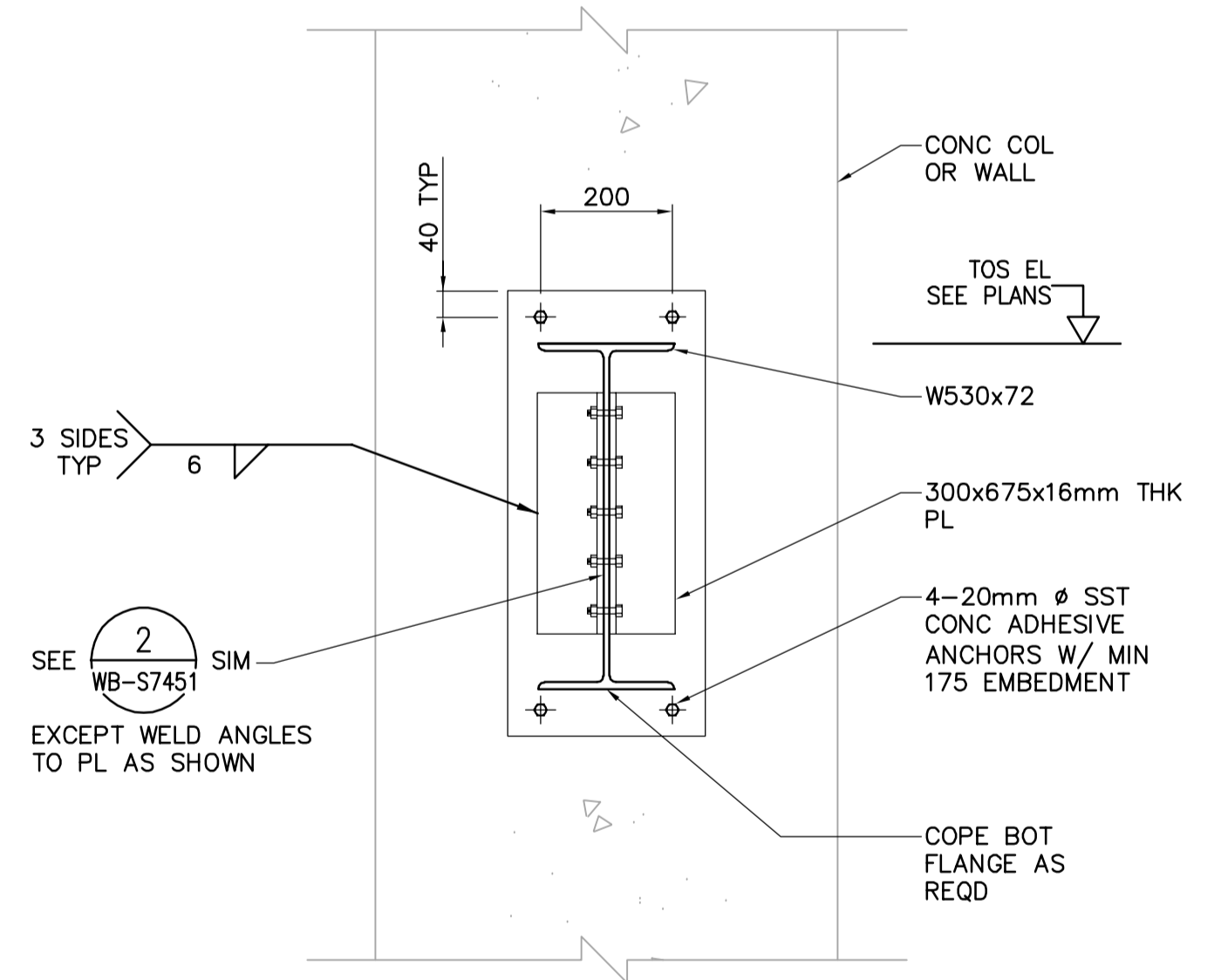


B SECTION
WC-S7121 1:5

NOTES:
1. CMU WALLS INSTALLED IN SEPARATE CONTRACT.
2. GRATING NOT SHOWN FOR CLARITY, SEE PLANS.
3. PROVIDE PROTECTION BETWEEN DISSIMILAR METALS.



3 DETAIL
WC-S7121 1:10



C SECTION
WC-S7121 1:10

NOTE:
1. AT COLUMNS, LOCATE COLUMN REBAR PRIOR TO FABRICATION. NOTIFY ENGINEER IF ANCHORS WILL INTERFERE WITH COLUMN REINFORCEMENT. DO NOT CUT COLUMN REINFORCEMENT.

MONORAIL SUPPORT CONNECTIONS



B.M. ELEV.			
DESIGNED BY	EL	CHECKED BY	AP
DRAWN BY	CA	APPROVED BY	AHL
SCALE:	AS NOTED	RELEASED FOR CONSTRUCTION BY:	R. SOROKOWSKI
NO. REVISIONS	DATE	DATE	DATE
00	742-2005 ADDENDUM 1	06/04/21	EL
		2005/09/30	

CH2MHILL Frederickson Cooper ARCHITECTS		EarthTech A Yeo International Ltd. Company	
DESIGNED BY	EL	CHECKED BY	AP
DRAWN BY	CA	APPROVED BY	AHL
SCALE:	AS NOTED	RELEASED FOR CONSTRUCTION BY:	R. SOROKOWSKI
DATE	2005/09/30	DATE	2006/04/21

ENGINEER'S SEAL	
ORIGINAL SIGNED BY	D. KRUGER
	2006/04/21
CONSULTANT DRAWING NO.	WC-S7401

THE CITY OF WINNIPEG WATER AND WASTE DEPARTMENT ENGINEERING DIVISION	
WATER TREATMENT PLANT CHEMICAL FEED SYSTEMS MECHANICAL AND ELECTRICAL	
CITY FILE NUMBER	
SHEET	OF
CITY DRAWING NUMBER	1-0601C-A-S7401-001-000
STRUCTURAL CHEMICAL AREA DETAILS	