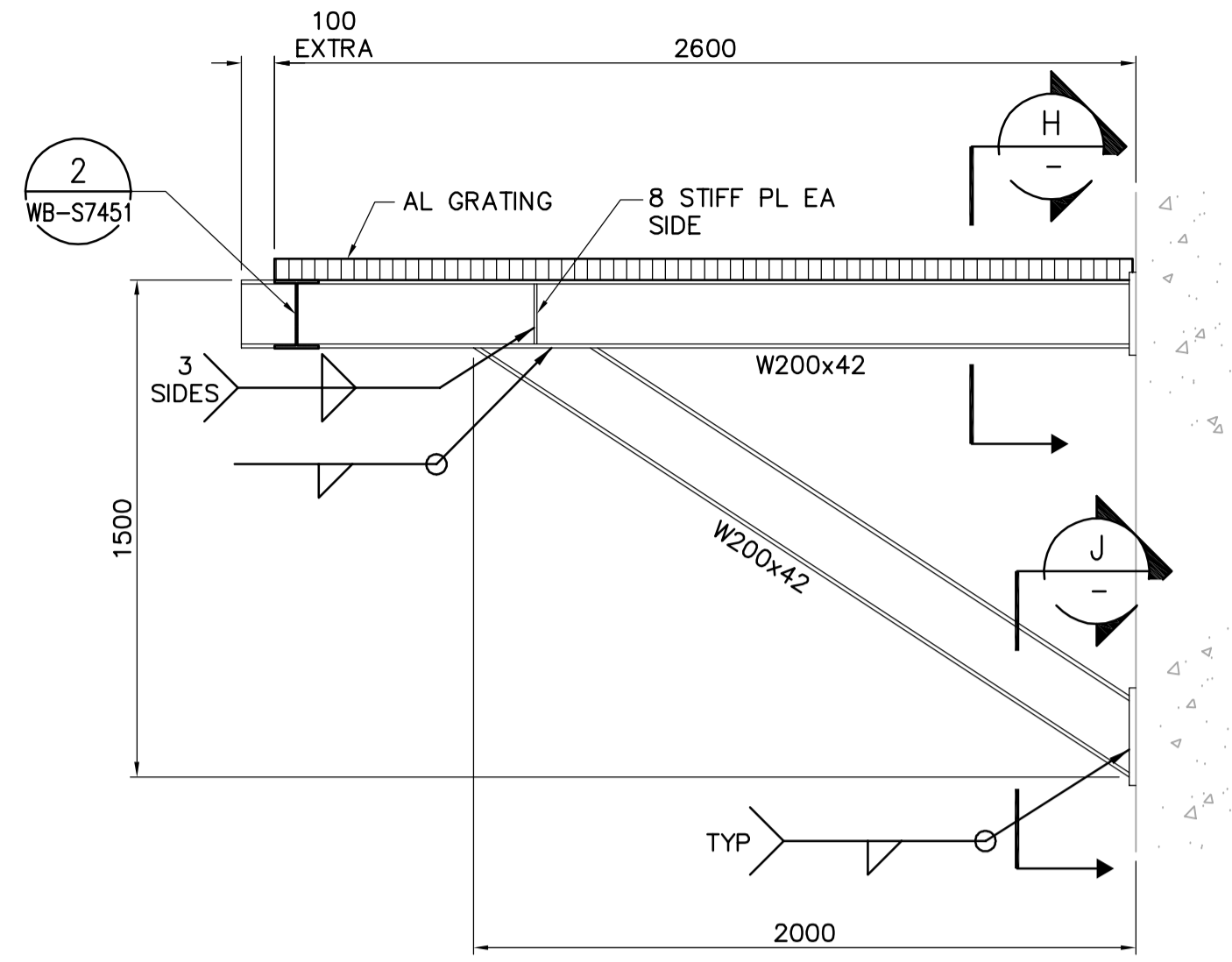
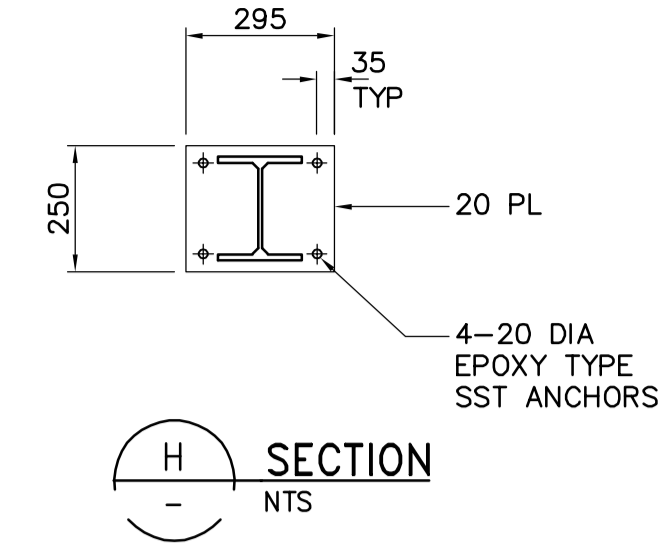


B SECTION
WA-S7101 1:5

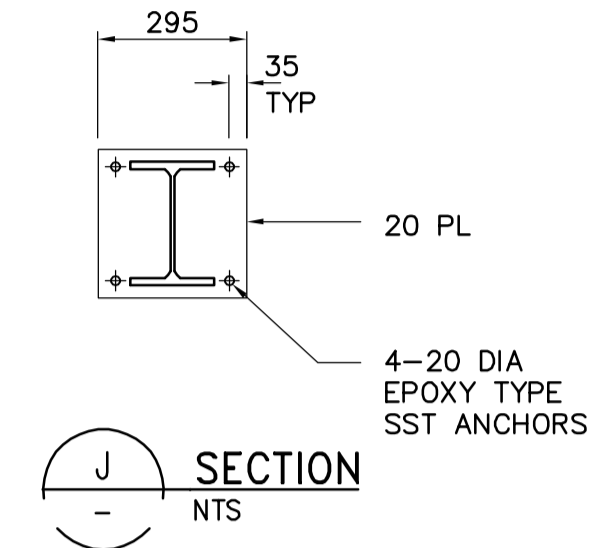


E-W GRATING SPAN METAL PLATFORM SUPPORT - S1
S1* - SIMILAR BUT NO 100mm EXTRA

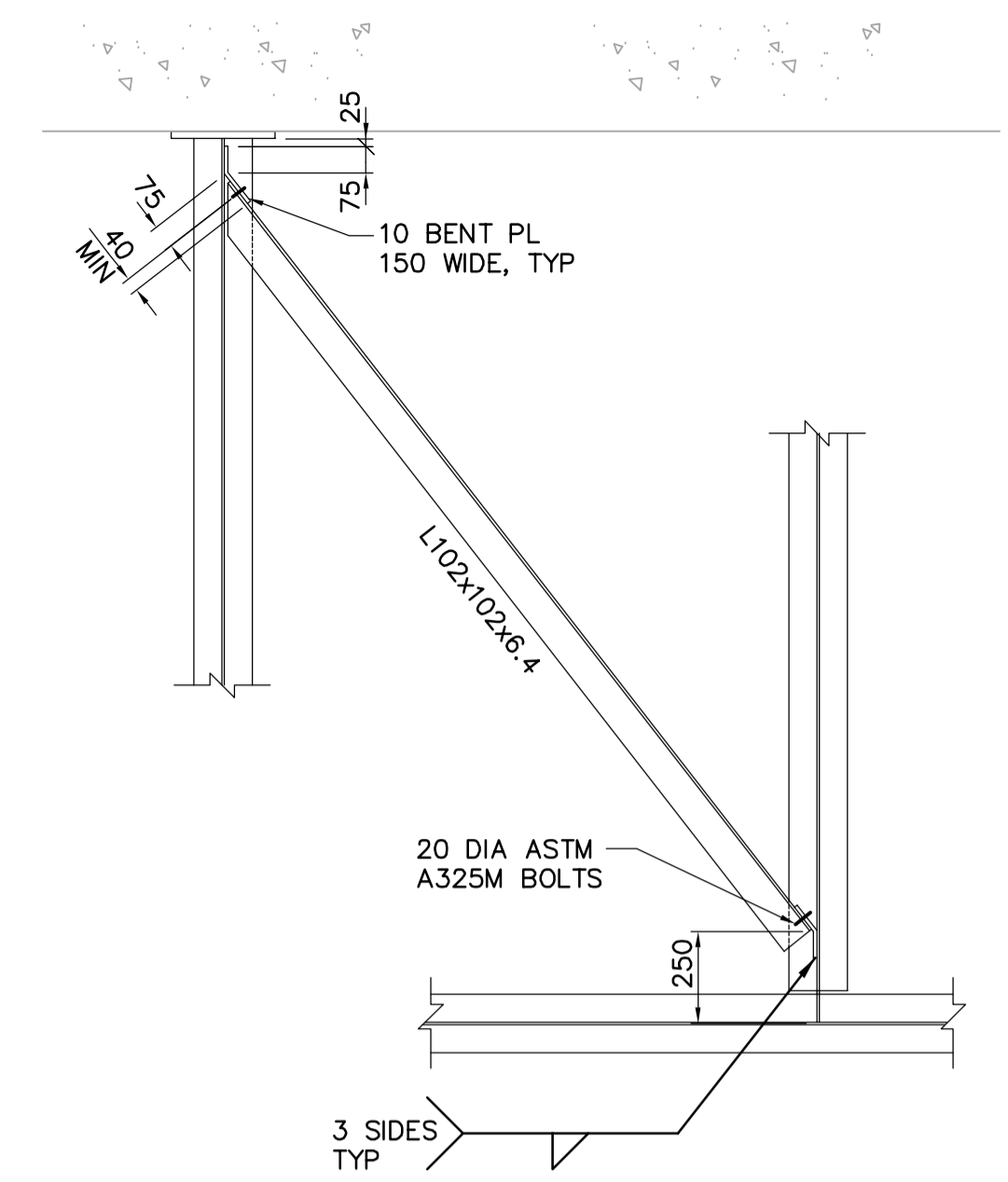
C SECTION
WA-S7116 1:20
WA-S7121



H SECTION
NTS

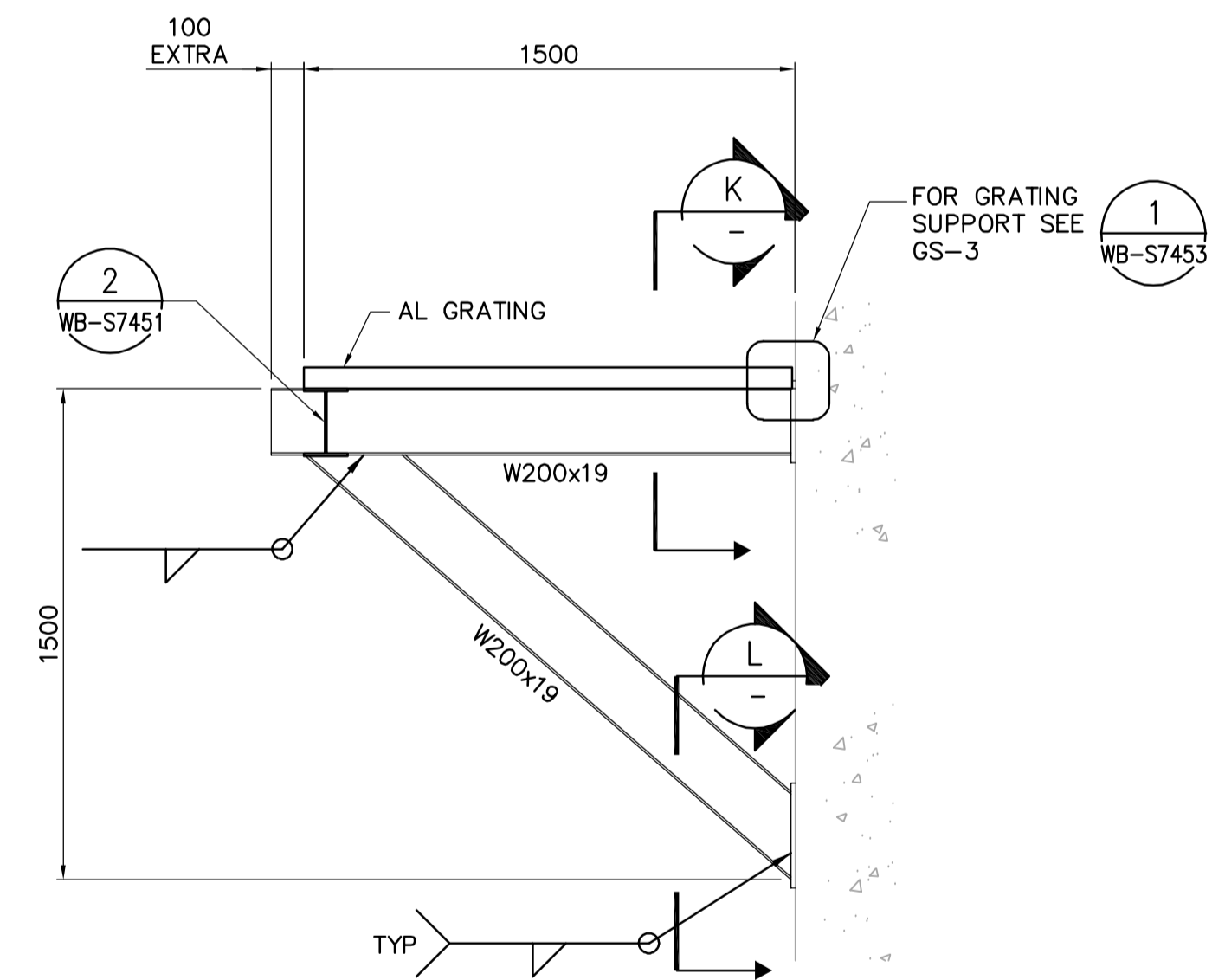


J SECTION
NTS



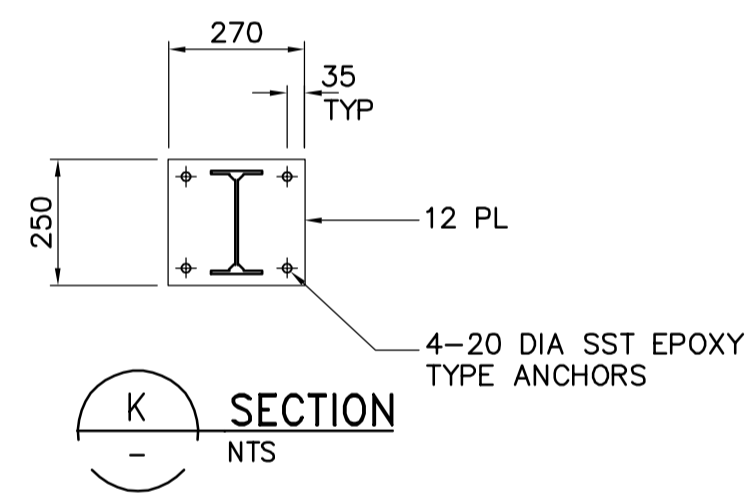
TYPICAL METAL PLATFORM SUPPORT BRACE - B4

1 DETAIL
WA-S7116 1:20
WA-S7121

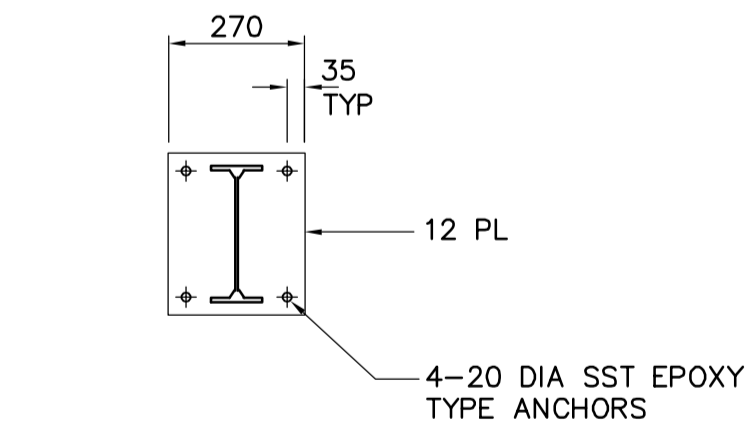


N-S GRATING SPAN METAL PLATFORM SUPPORT - S2
S2* - SIMILAR BUT NO 100mm EXTRA

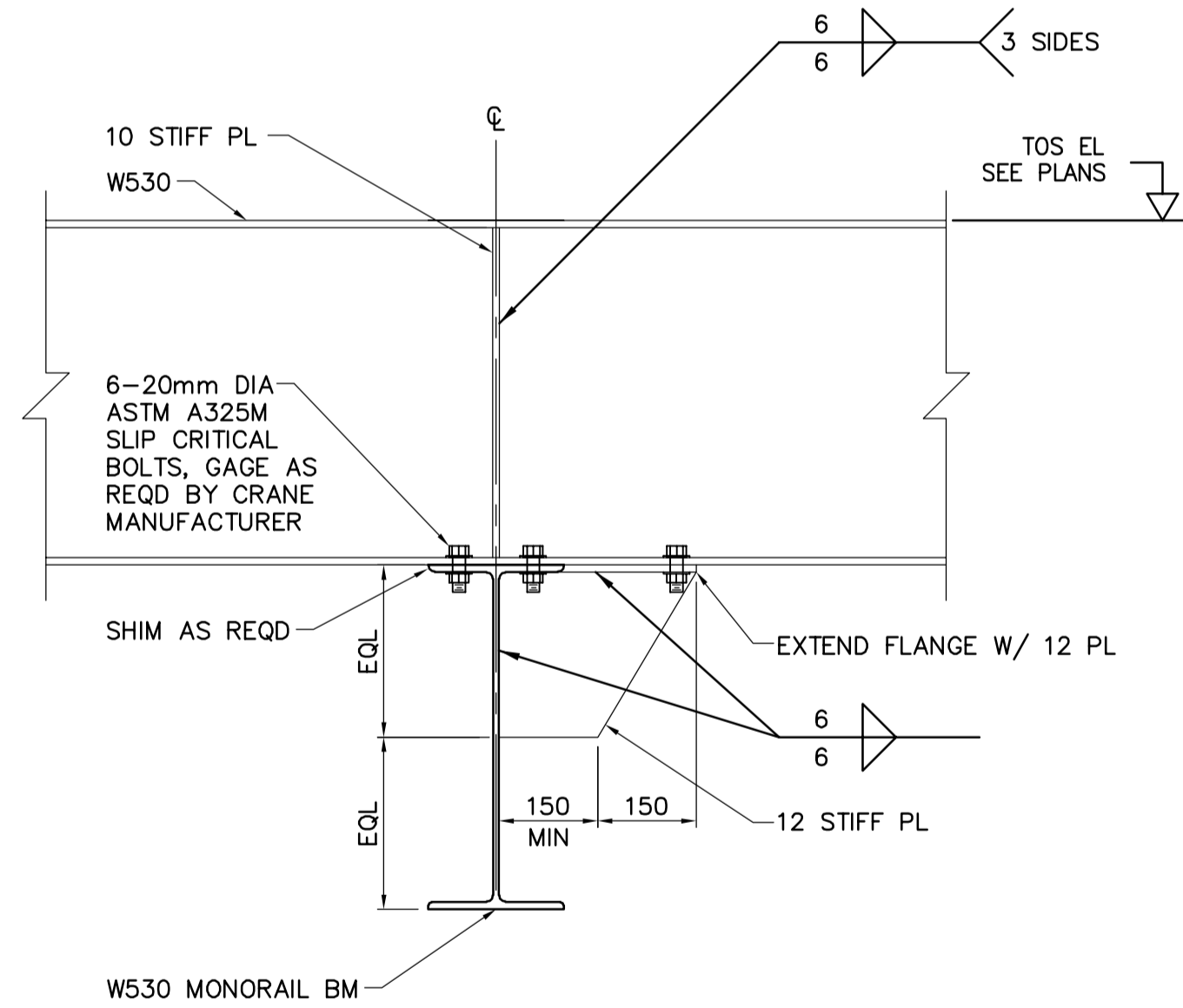
D SECTION
WA-S7116 1:20
WA-S7121



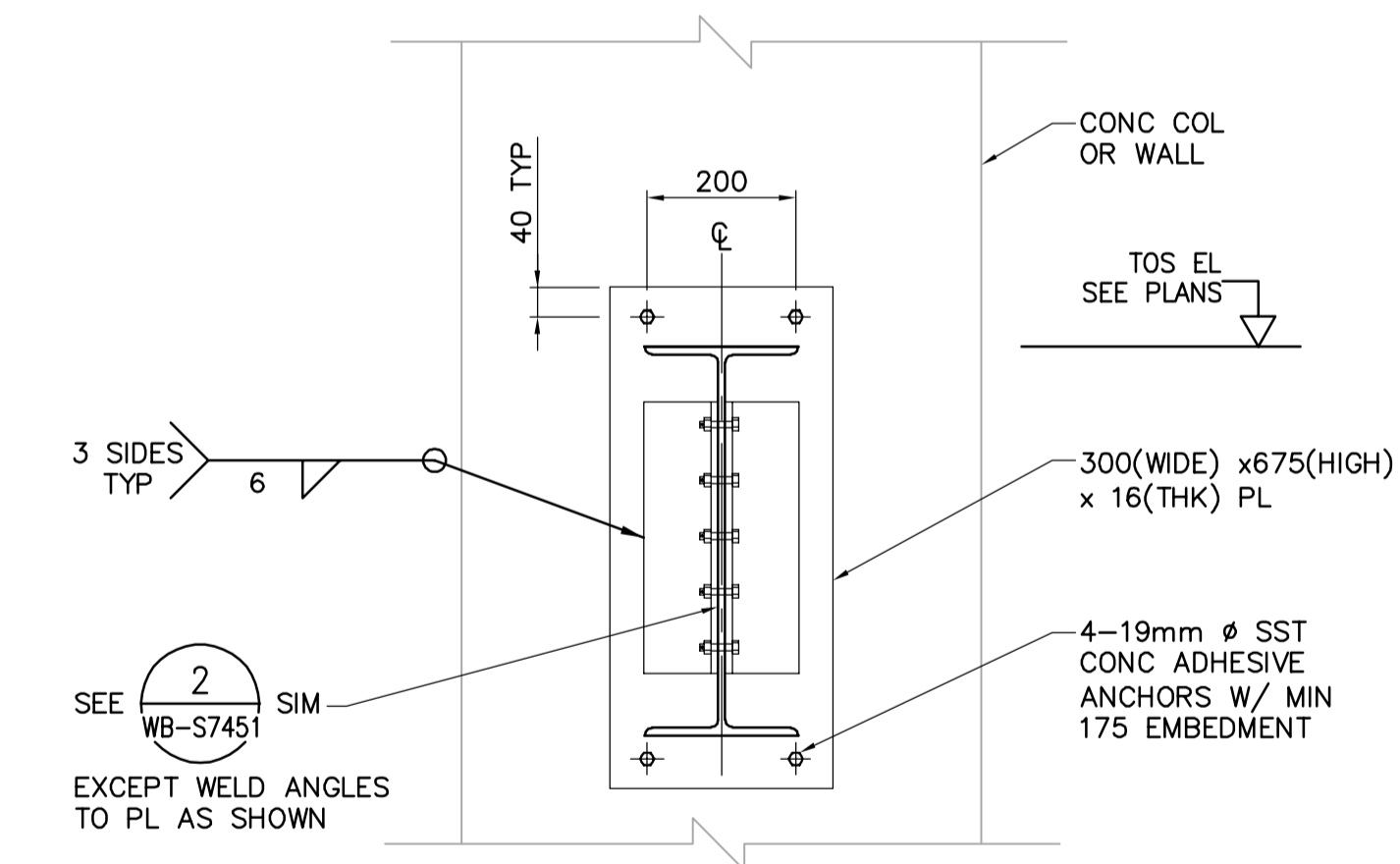
K SECTION
NTS



L SECTION
NTS



F SECTION
WA-S7121 1:10



G SECTION
WA-S7121 1:10

NOTE:

- AT COLUMNS, LOCATE COLUMN REBAR PRIOR TO FABRICATION. NOTIFY ENGINEER IF ANCHORS WILL INTERFERE WITH COLUMN REINFORCEMENT. DO NOT CUT COLUMN REINFORCEMENT.

MONORAIL SUPPORT CONNECTIONS

<p>APEGN Certificate of Authorization CH2M HILL Canada Ltd. No. 1441 Expiry: April 30, 2007</p>	B.M. ELEV.	<p>CH2MHILL Frederickson Cooper ARCHITECTS</p>	<p>EarthTech A Tyco International Ltd. Company</p>	ENGINEER'S SEAL	<p>THE CITY OF WINNIPEG WATER AND WASTE DEPARTMENT ENGINEERING DIVISION</p>					
				DESIGNED BY EL		CHECKED BY AP	ORIGINAL SIGNED BY D. KRUGER			
				DRAWN BY RL		APPROVED BY AHL	2006/04/28			
				SCALE: 1:20		RELEASED FOR CONSTRUCTION BY: R. SOROKOWSKI	CONSULTANT DRAWING NO. WA-S7401			
	NO. REVISIONS	DATE BY	DATE	2005/02/06	DATE	2006/04/28	DATE	2006/04/28	DATE	2006/04/28