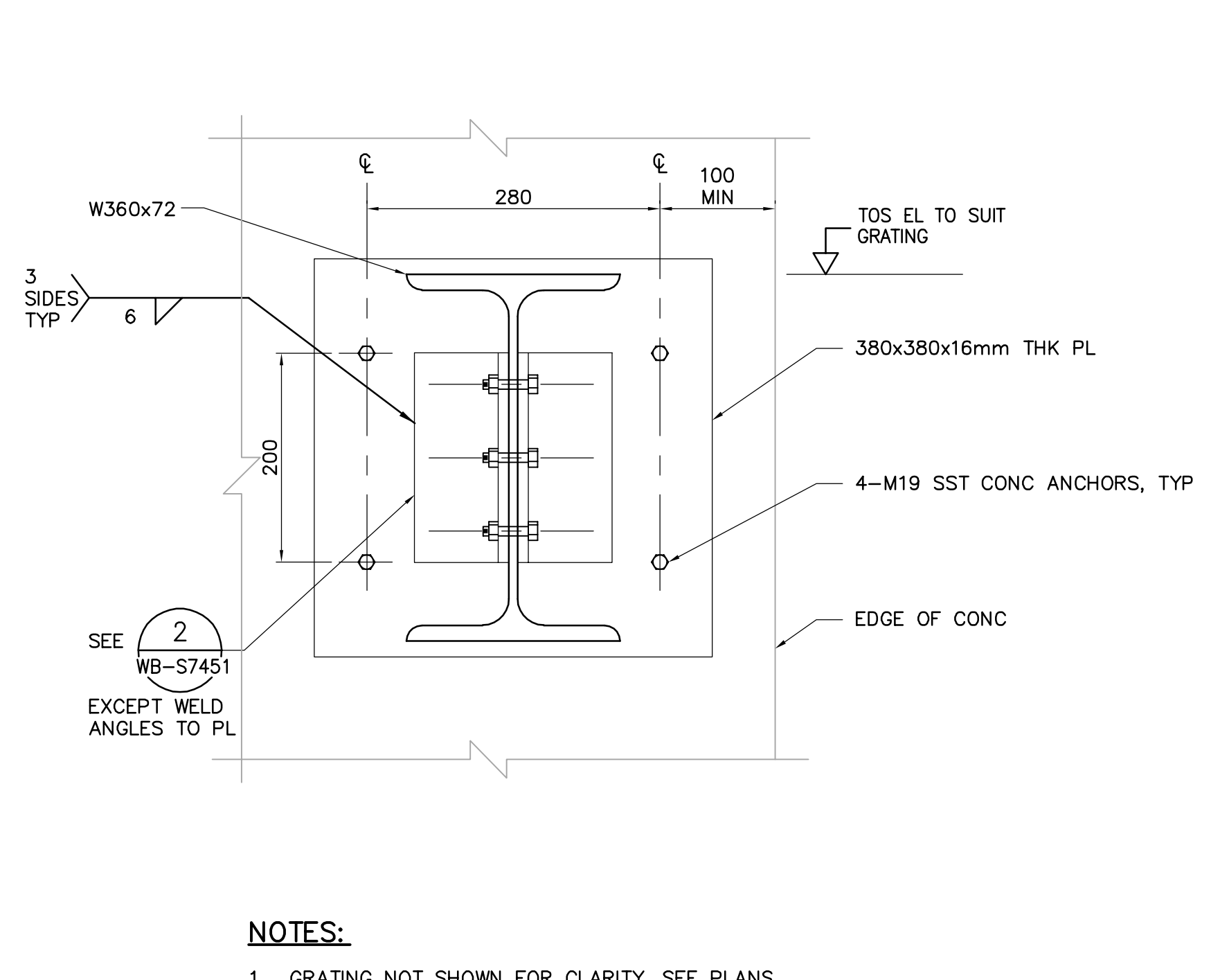
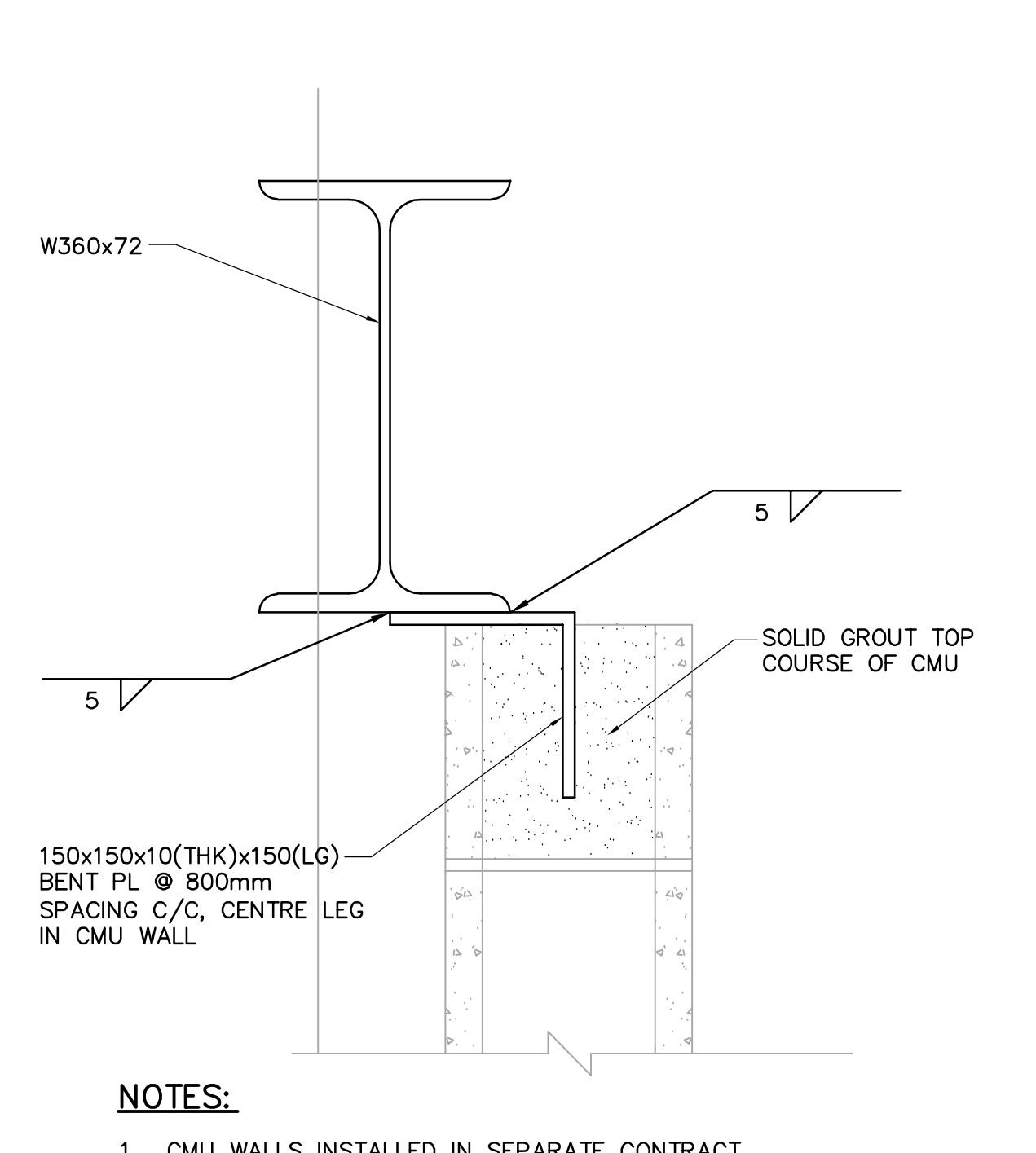


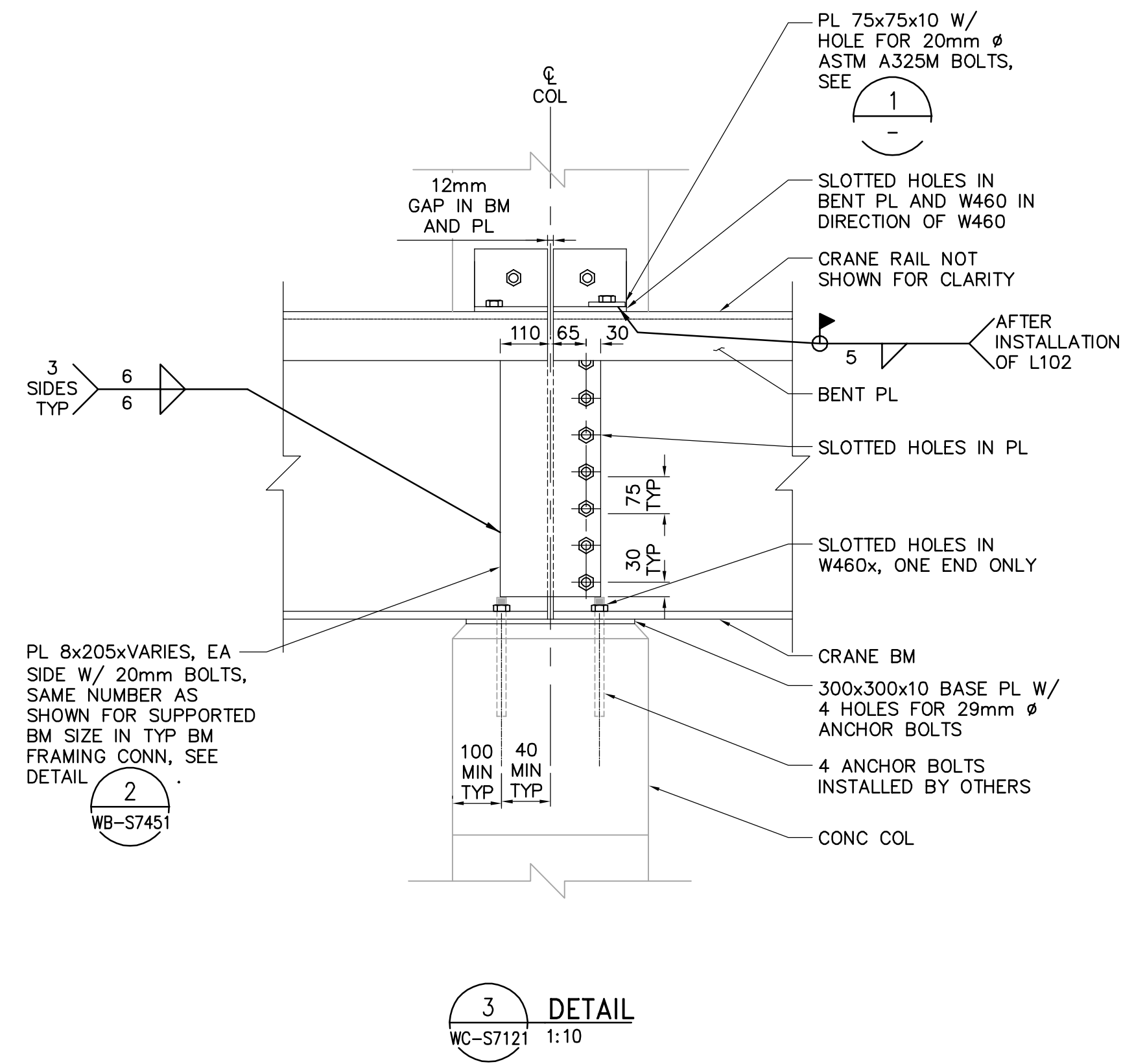
**NOTE:**  
1. LOCATE COLUMN REBAR PRIOR TO FABRICATION. NOTIFY ENGINEER IF ANCHORS WILL INTERFERE WITH COLUMN REBAR. DO NOT CUT COLUMN REBAR.



**NOTES:**  
1. GRATING NOT SHOWN FOR CLARITY, SEE PLANS.  
2. PROVIDE PROTECTION BETWEEN DISSIMILAR METALS.

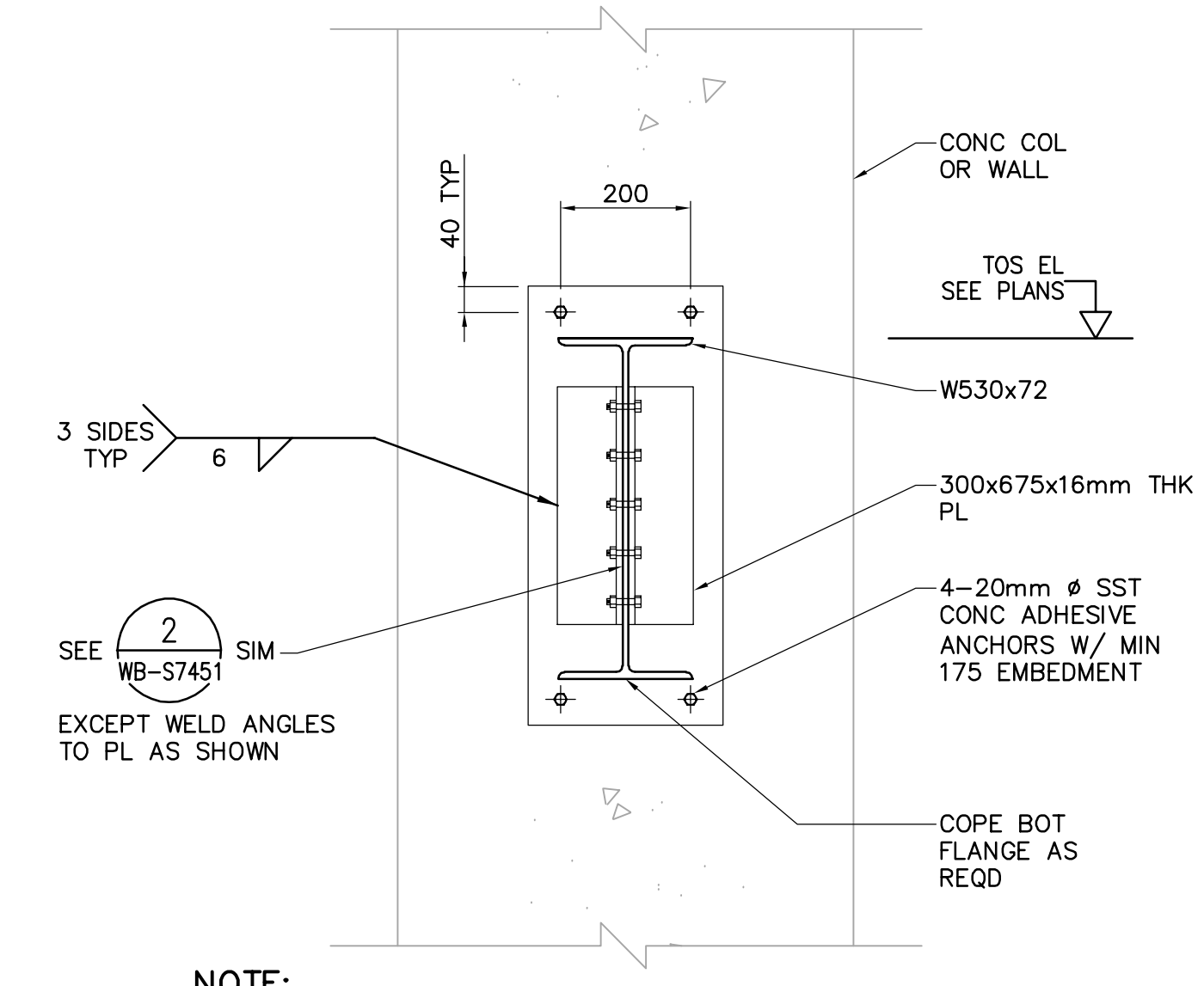


**NOTES:**  
1. CMU WALLS INSTALLED IN SEPARATE CONTRACT.  
2. GRATING NOT SHOWN FOR CLARITY, SEE PLANS.  
3. PROVIDE PROTECTION BETWEEN DISSIMILAR METALS.



**A SECTION**  
WC-S7121 1:5

**B SECTION**  
WC-S7121 1:5



**NOTE:**  
1. AT COLUMNS, LOCATE COLUMN REBAR PRIOR TO FABRICATION. NOTIFY ENGINEER IF ANCHORS WILL INTERFERE WITH COLUMN REINFORCEMENT. DO NOT CUT COLUMN REINFORCEMENT.

**MONORAIL SUPPORT CONNECTIONS**



NO.	REVISIONS	DATE	BY
01	742-2005 ADDENDUM 3	06/05/05	EL
00	742-2005 ADDENDUM 1	06/04/21	EL

DESIGNED BY	EL	CHECKED BY	AP
DRAWN BY	CA	APPROVED BY	AHL
SCALE:	AS NOTED	RELEASED FOR CONSTRUCTION BY:	R. SOROKOWSKI
DATE	2005/09/30	DATE	2006/04/21

ENGINEER'S SEAL  
ORIGINAL SIGNED BY  
D. KRUGER  
2006/04/21  
CONSULTANT DRAWING NO.  
WC-S7401

**THE CITY OF WINNIPEG**  
WATER AND WASTE DEPARTMENT  
ENGINEERING DIVISION

WATER TREATMENT PLANT  
CHEMICAL FEED SYSTEMS  
MECHANICAL AND ELECTRICAL

STRUCTURAL  
CHEMICAL AREA  
DETAILS

CITY FILE NUMBER  
SHEET OF  
CITY DRAWING NUMBER  
1-0601C-A-S7401-001-01D