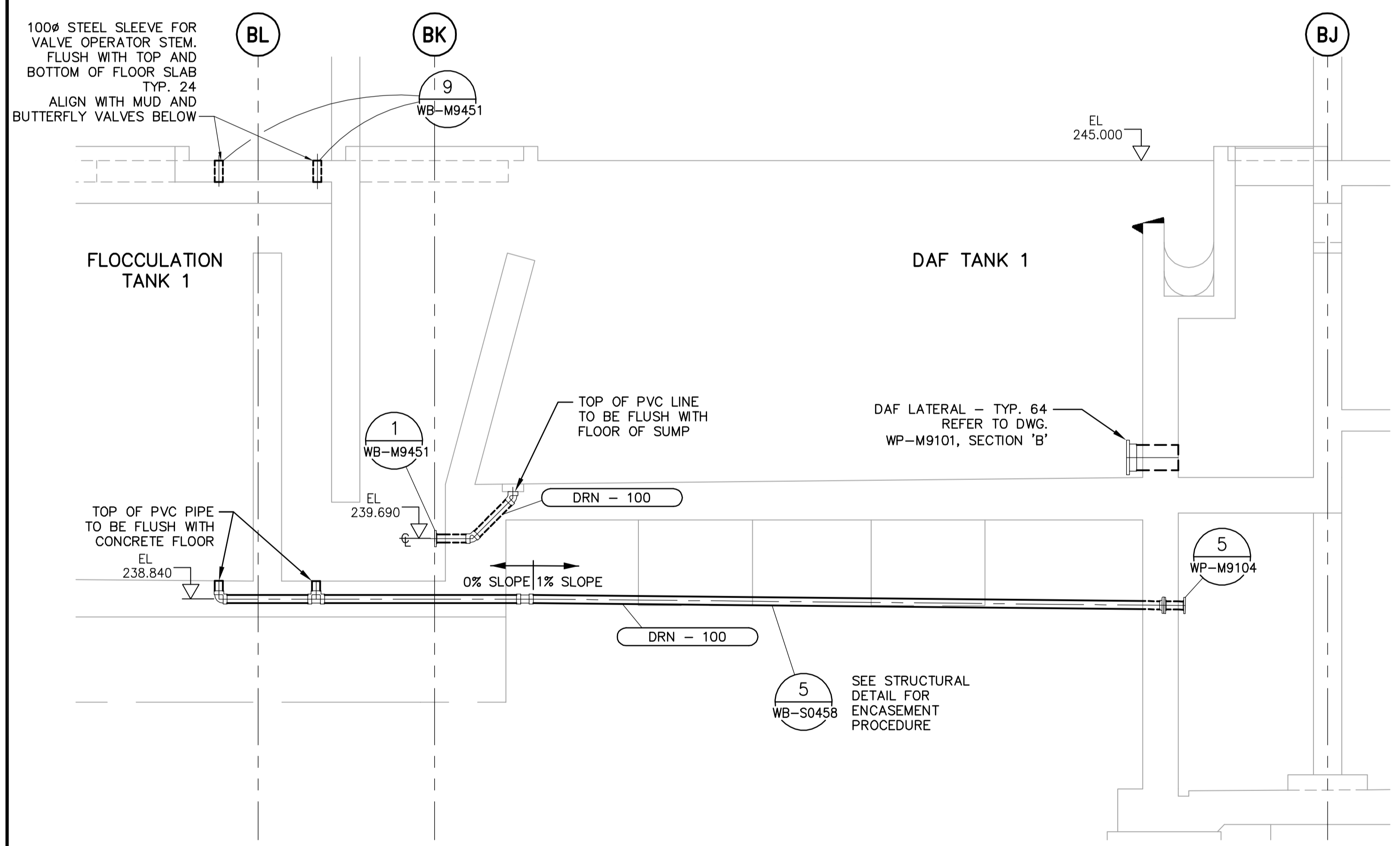
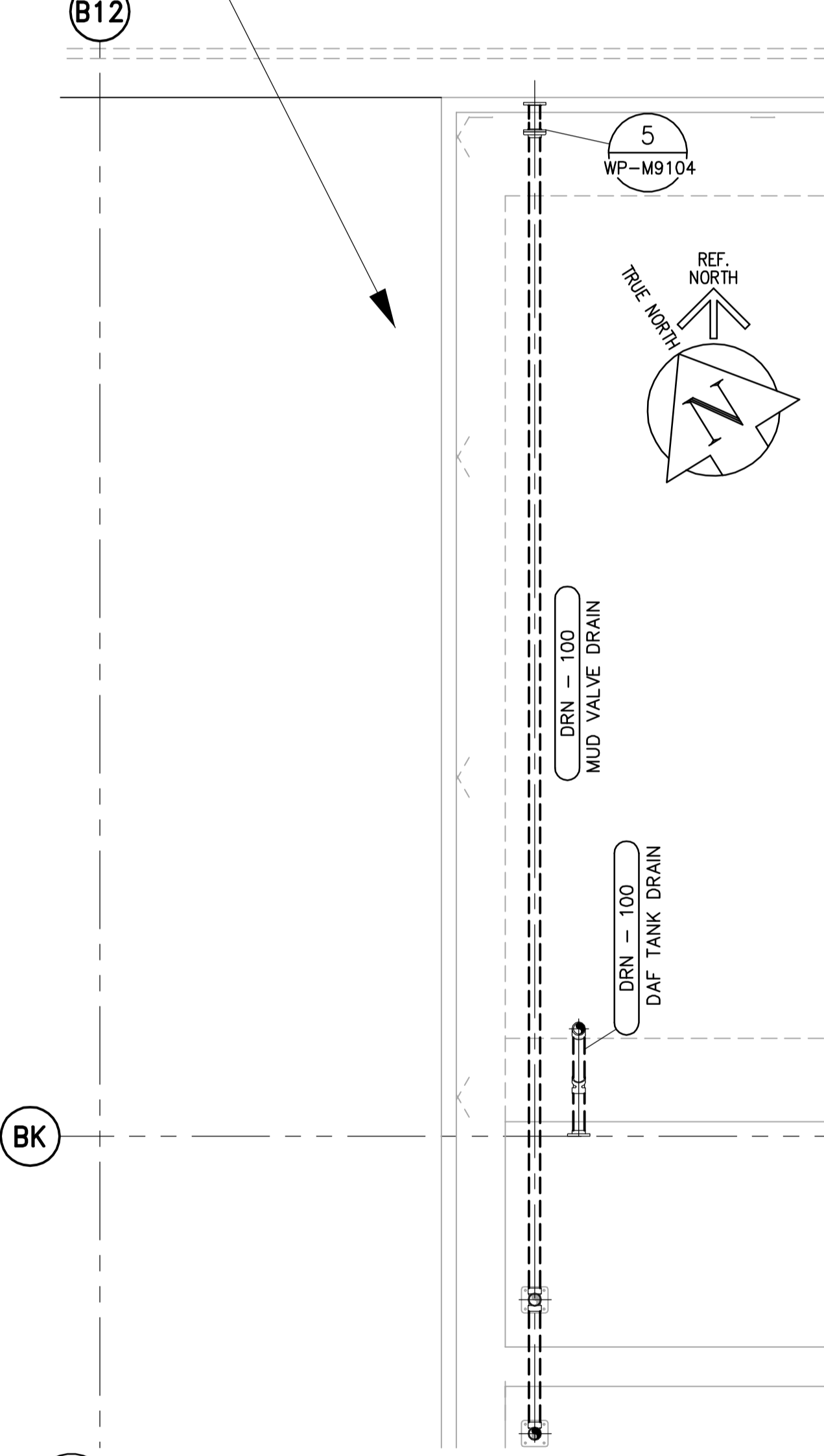


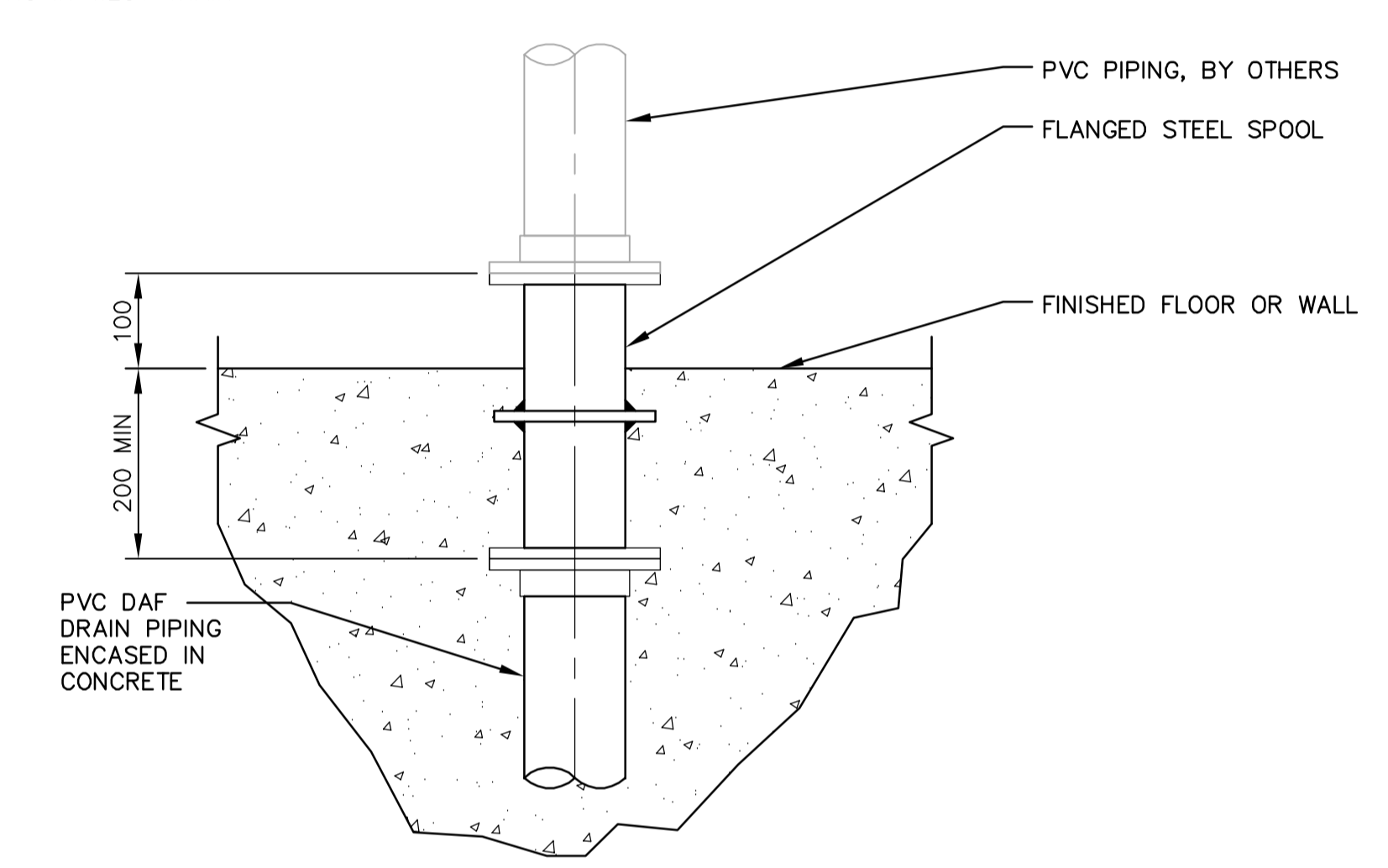
19 SECOND FLOOR PLAN - MUD VALVE DRAIN LINES
WP-M9104 1:150



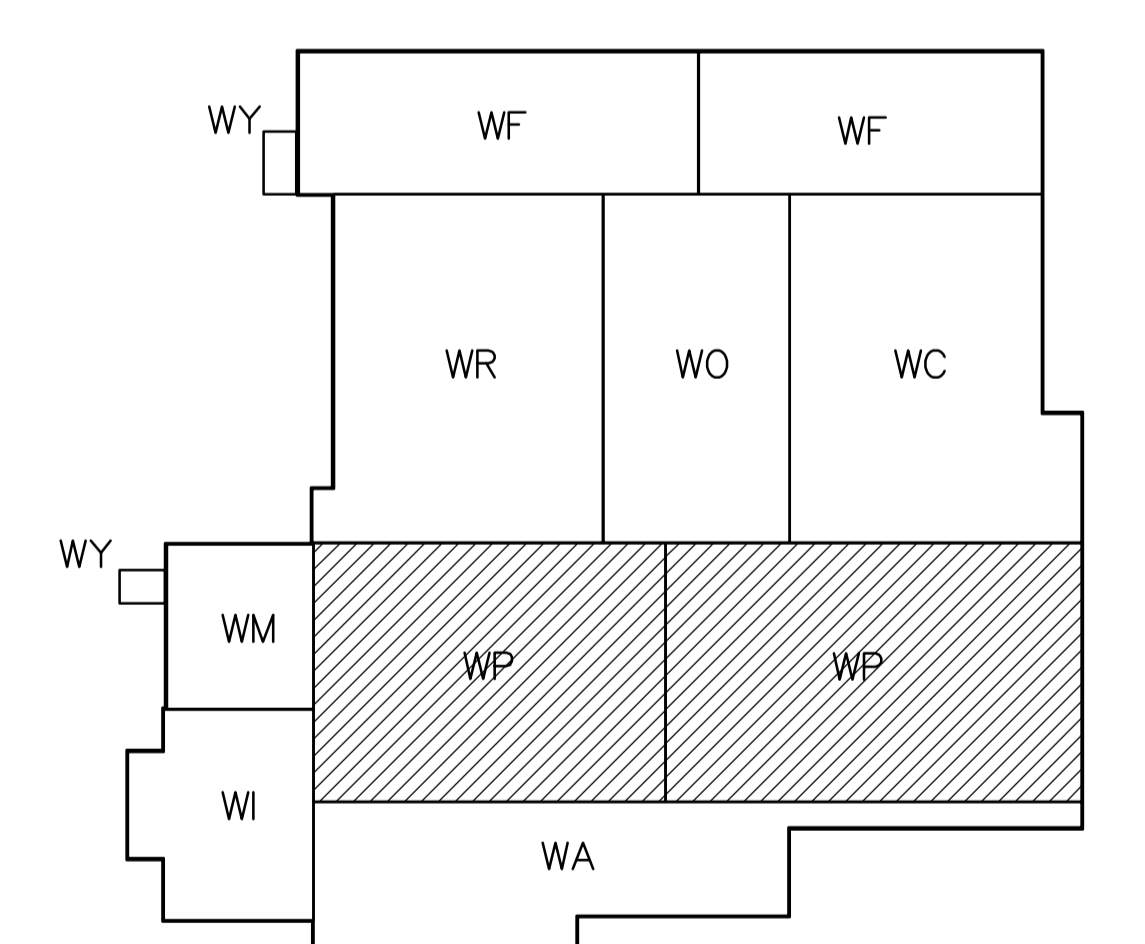
L SECTION - MUD VALVE DRAIN LINES
WP-M9104 1:50



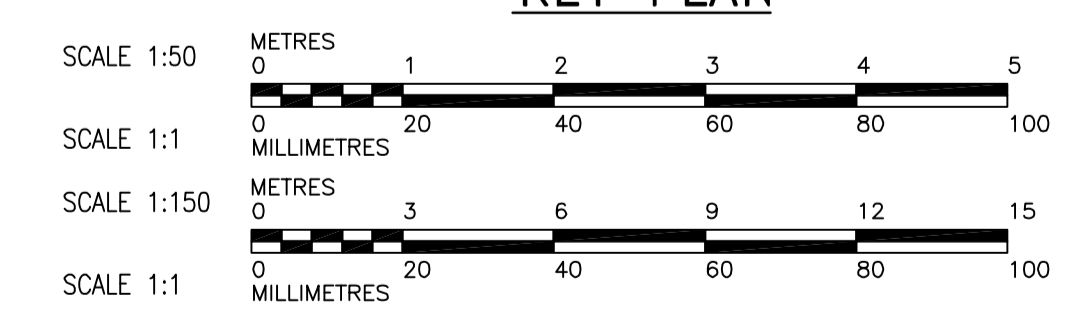
20 SECOND FLOOR PLAN - MUD VALVE DRAIN LINES
WP-M9104 1:50



5 DETAIL - DAF DRAIN FLOOR/WALL PENETRATION
WP-M9104 NTS



KEY PLAN



<p>Certificate of Authorization Earth Tech Canada Inc. No. 730 Expiry: April 30, 2007</p>		<p>B.M. ELEV.</p> <table border="1"> <tr><td> </td><td> </td><td> </td><td> </td></tr> <tr><td> </td><td> </td><td> </td><td> </td></tr> <tr><td> </td><td> </td><td> </td><td> </td></tr> <tr><td> </td><td> </td><td> </td><td> </td></tr> </table>																		<p>Frederickson Cooper ARCHITECTS</p>		<p>EarthTech A Tyco International Ltd. Company</p>		<p>ENGINEER'S SEAL</p> <p>ORIGINAL SIGNED BY S.R. BILEVICIUS 2006/02/07</p> <p>CONSULTANT DRAWING NO. WP-M9104</p>		<p>THE CITY OF WINNIPEG WATER AND WASTE DEPARTMENT ENGINEERING DIVISION</p> <p>WATER TREATMENT PLANT FLOCCULATION AND DAF FOUNDATIONS AND CONCRETE STRUCTURES</p> <p>PIPE EMBEDS SECOND FLOOR PLAN MUD VALVE DRAIN LINES</p>		<p>CITY FILE NUMBER</p> <p>SHEET OF</p> <p>CITY DRAWING NUMBER 1-0601P-A-M9104-001-01D</p>	
01	742-2005 ADDENDUM 3	06/05/05	LAE	DESIGNED BY	KAS	CHECKED BY	SRB	<p>SCALE: AS SHOWN</p>																					
00	ISSUED FOR TENDER	06/02/03	PL	DRAWN BY	PL	APPROVED BY	DJT	<p>RELEASED FOR CONSTRUCTION BY: R. SOROKOWSKI</p>																					
NO. REVISIONS				DATE	2005/10/24	DATE	2006/02/07	<p>DATE 2005/10/24 DATE 2006/02/07</p>																					