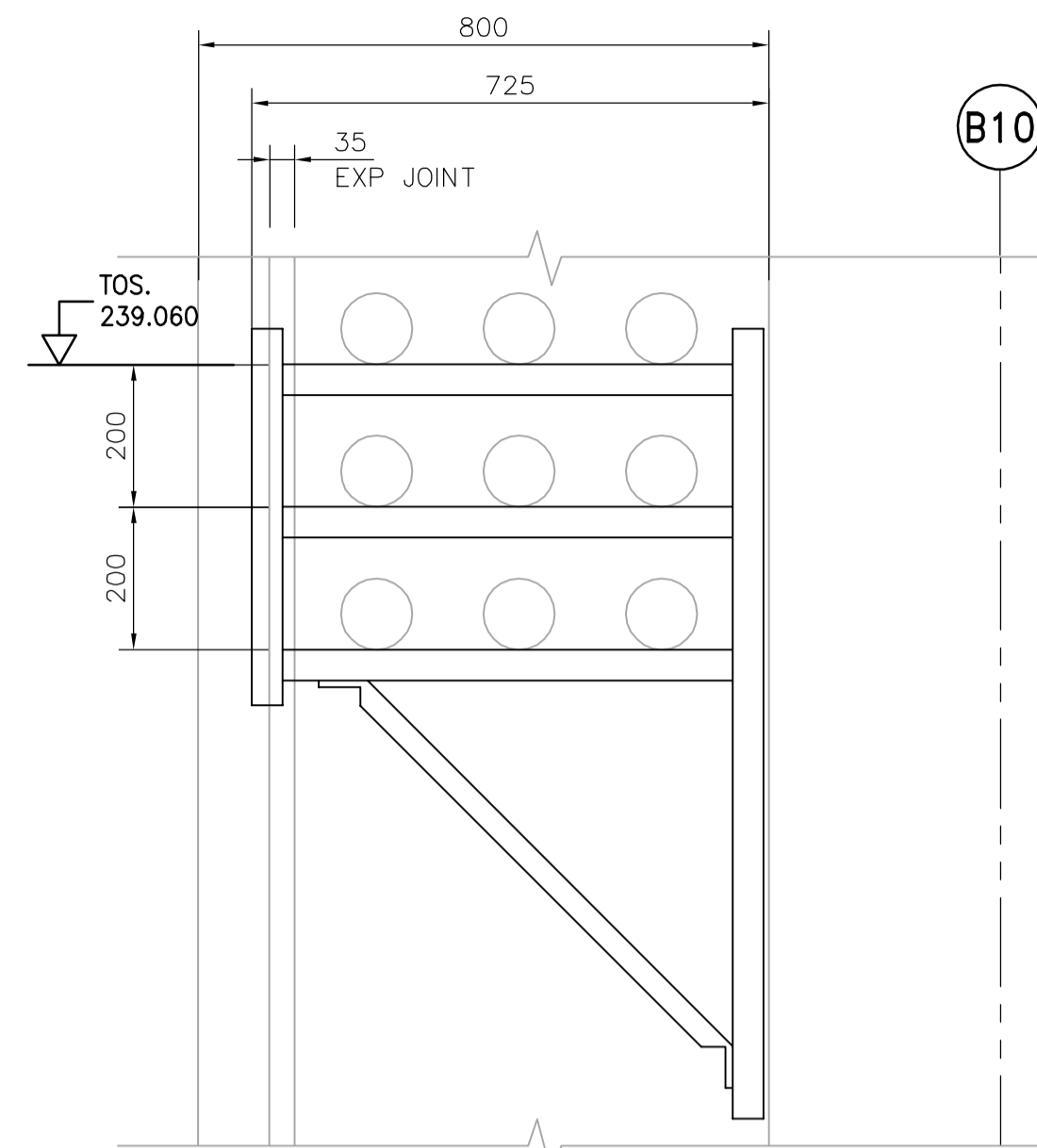
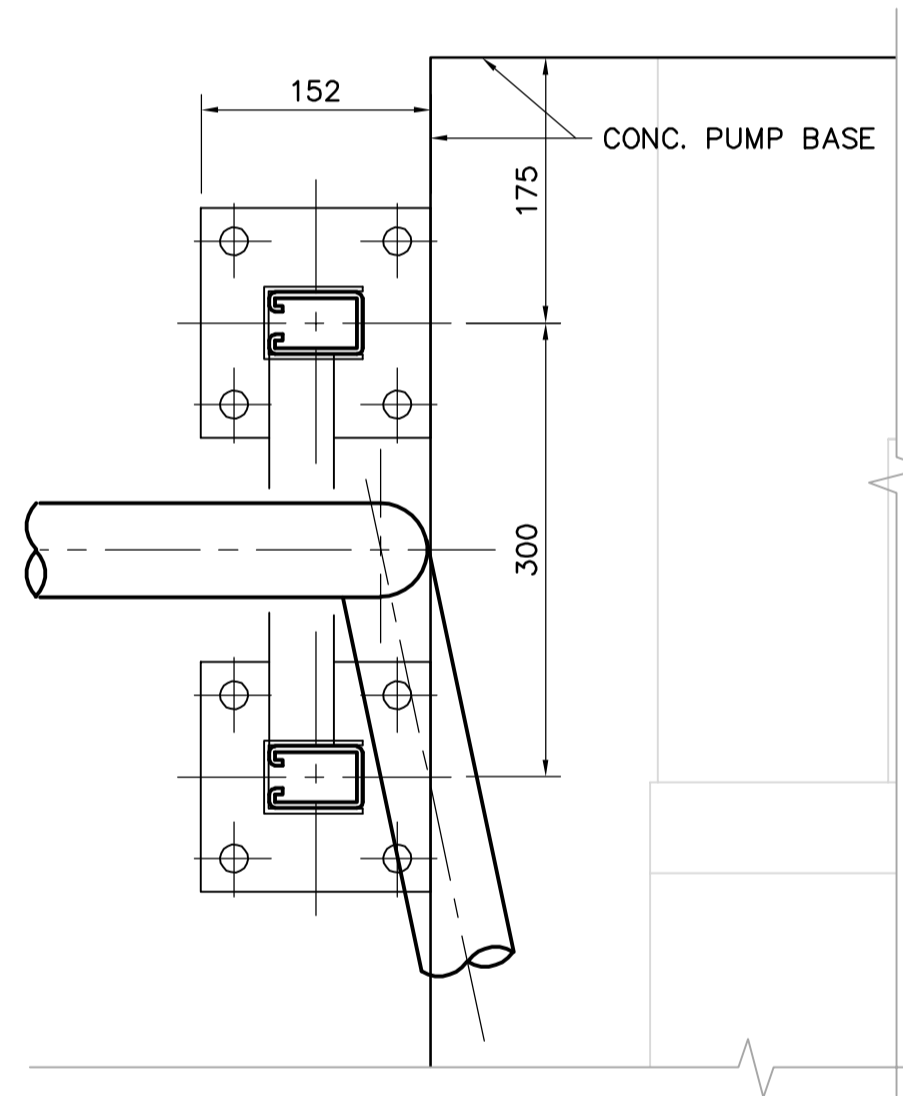


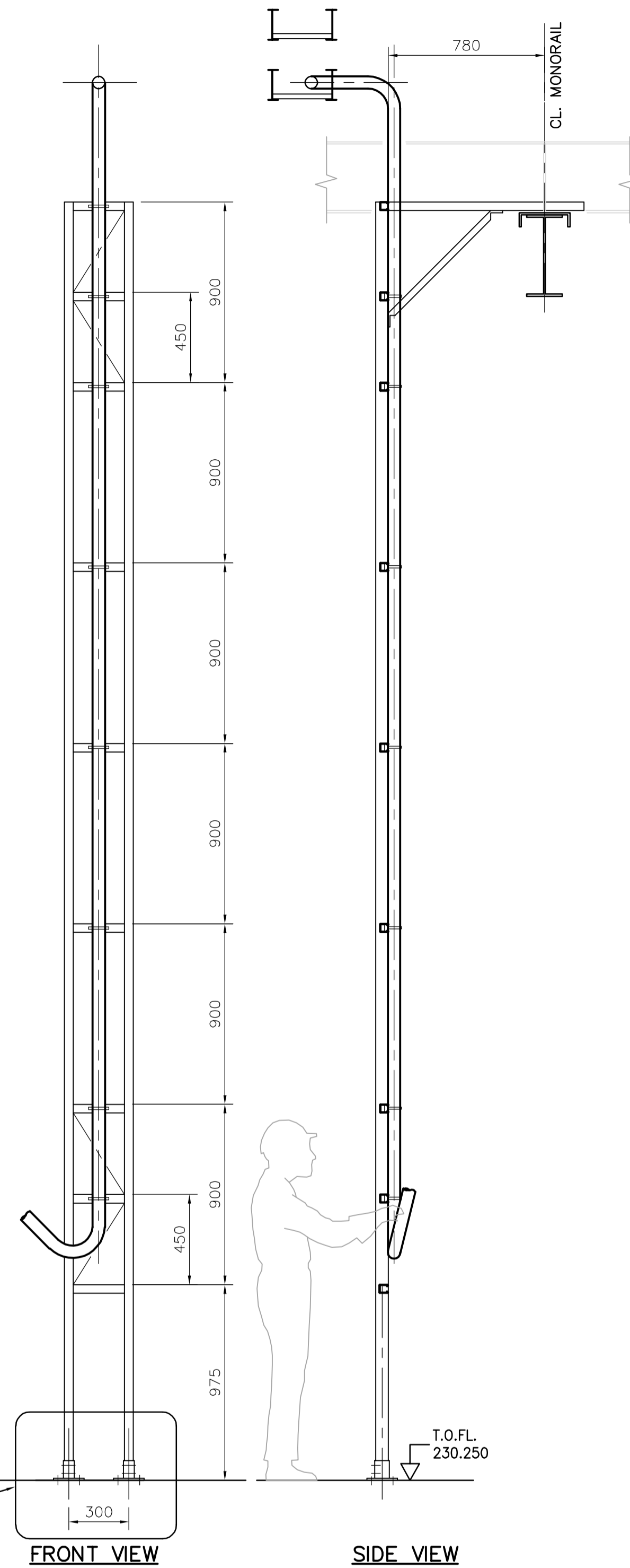
B SECTION
WB-E0404 1:50



1 DETAIL
NTS



2 DETAIL
NTS



FRONT VIEW

SIDE VIEW

3 DETAIL
NTS

SEE PLAN DET.
2 DETAIL
NTS

<p>APEGN Certificate of Authorization CH2M HILL Canada Ltd. No. 1441 Expiry: April 30, 2006</p>	<p>CH2MHILL Frederickson Cooper ARCHITECTS</p>	<p>EarthTech A Tyco International Ltd. Company</p>	ENGINEER'S SEAL	<p>THE CITY OF WINNIPEG WATER AND WASTE DEPARTMENT ENGINEERING DIVISION</p>		
			DESIGNED BY LL		CHECKED BY ND	ORIGINAL SIGNED BY L.D. LLEWELLYN
			DRAWN BY PM		APPROVED BY AHL	2006/03/29
			SCALE: AS SHOWN		RELEASED FOR CONSTRUCTION BY: R. SOROKOWSKI	CONSULTANT DRAWING NO. WB-E0405
00 ISSUED FOR TENDER	06/03/29	LL		<p>WATER TREATMENT PLANT MAIN BUILDING MECHANICAL AND ELECTRICAL</p> <p>ELECTRICAL</p> <p>DETAILS</p>		
NO. REVISIONS	DATE	BY	DATE	<p>CITY FILE NUMBER</p> <p>SHEET OF</p> <p>CITY DRAWING NUMBER</p> <p>1-0601B-A-E0405-001-000</p>		