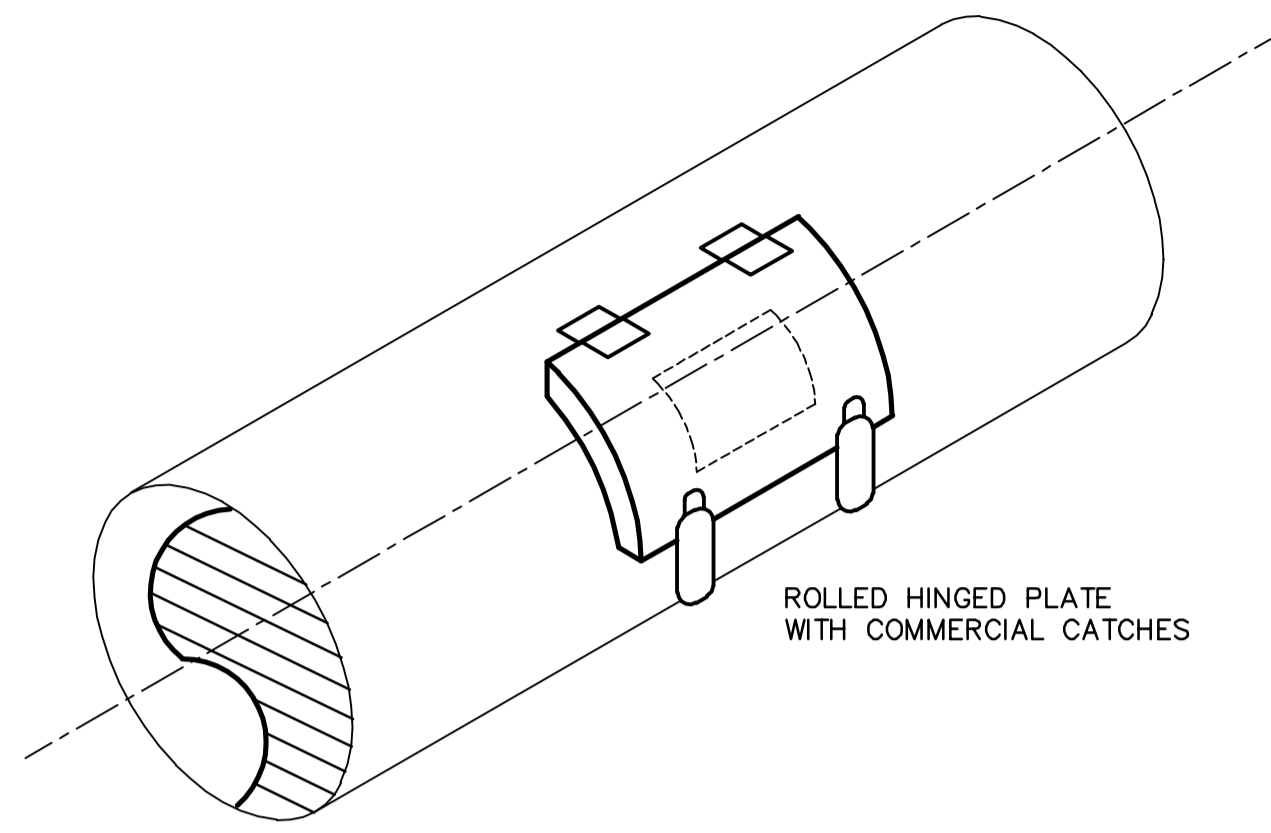


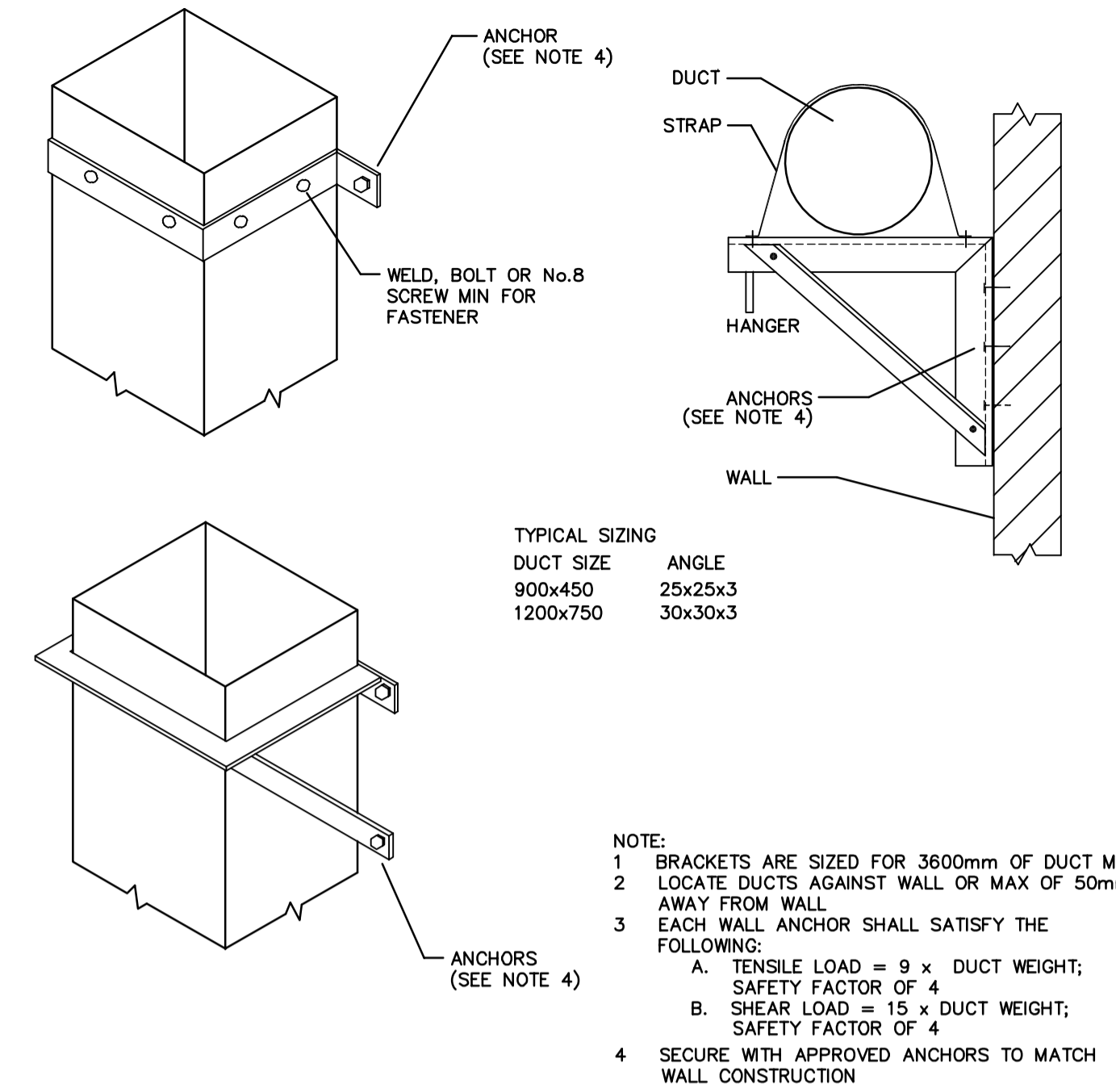
NOTES:

1. ALL DIMENSIONS IN MILLIMETRES, UNLESS OTHERWISE NOTED.
2. DETAIL GIVES REQUIRED SEQUENCE OF EQUIPMENT AND VALVES. PIPING ARRANGEMENT MAY VARY TO SUIT FIELD REQUIREMENTS.
3. FOR PIPE SIZES 100 DIA AND LARGER, USE BUTTERFLY VALVES IN LIEU OF BALL VALVES.
4. USE FLANGE FOR 80mm AND LARGER
5. PROVIDE FLEXIBLE CONNECTION ON BOTH SUPPLY AND RETURN DUCTWORK

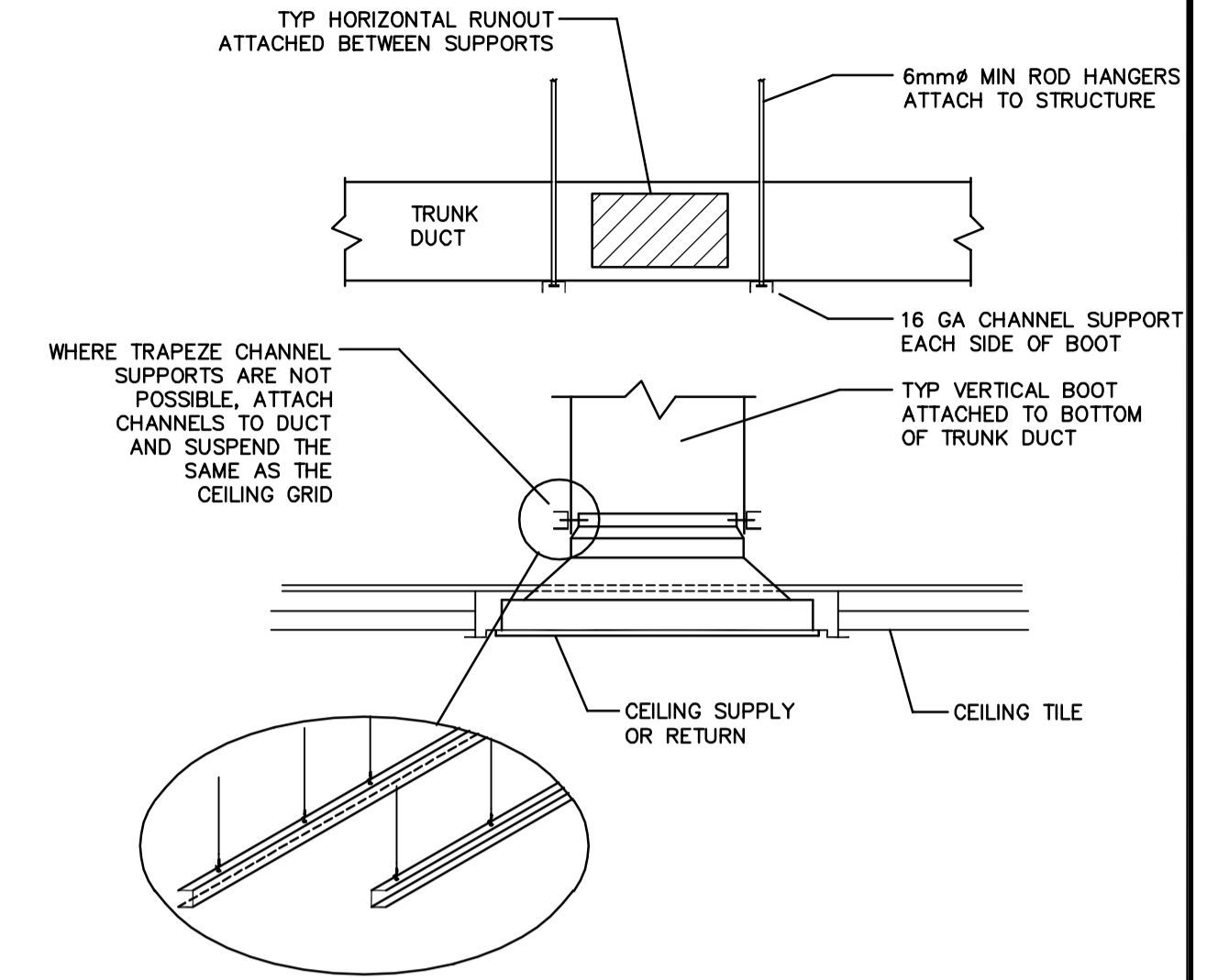
1 WATER SOURCE HEAT PUMP CONNECTION DETAIL
N.T.S.



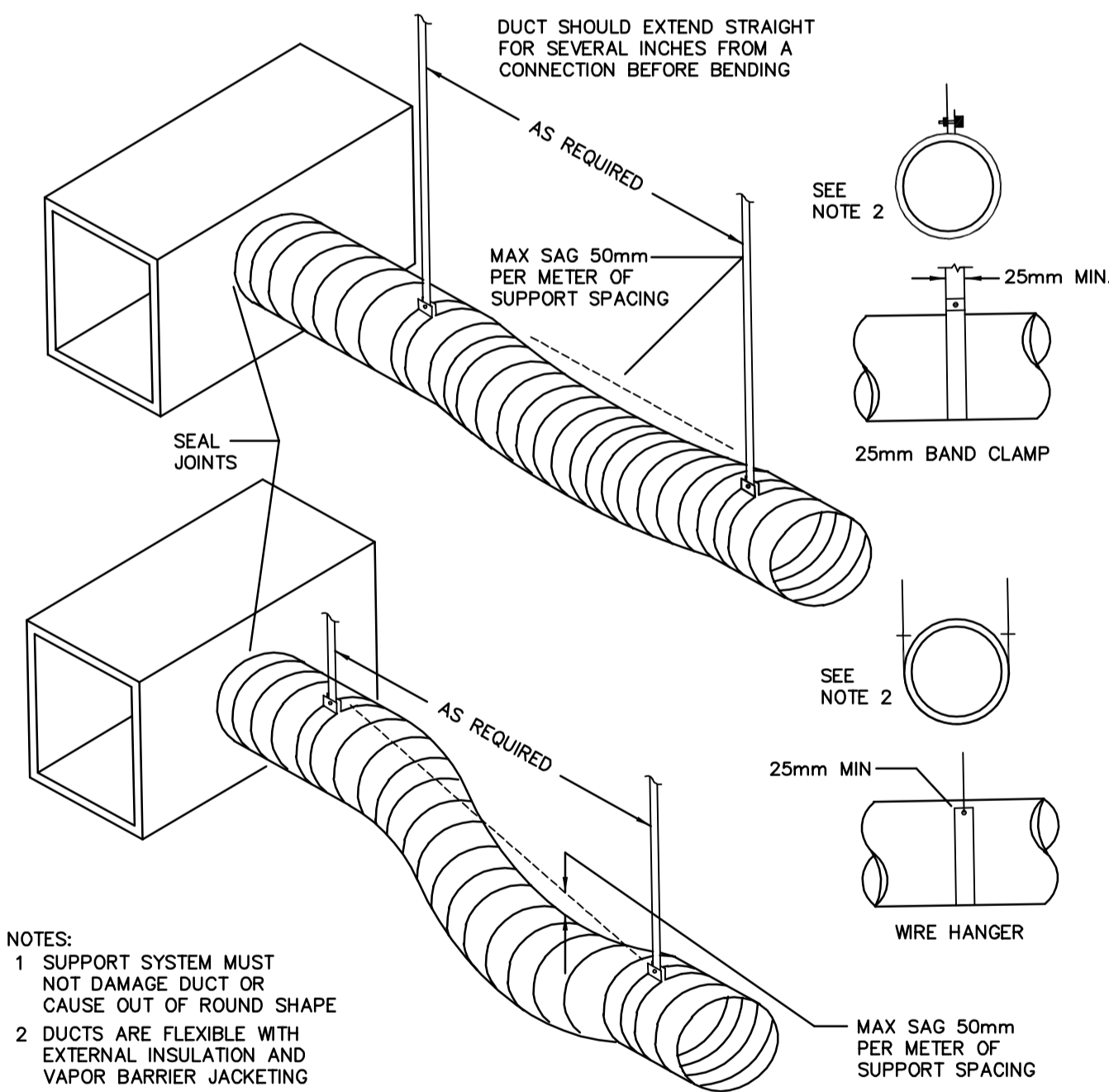
2 ACCESS DOOR - ROUND DUCT
N.T.S.



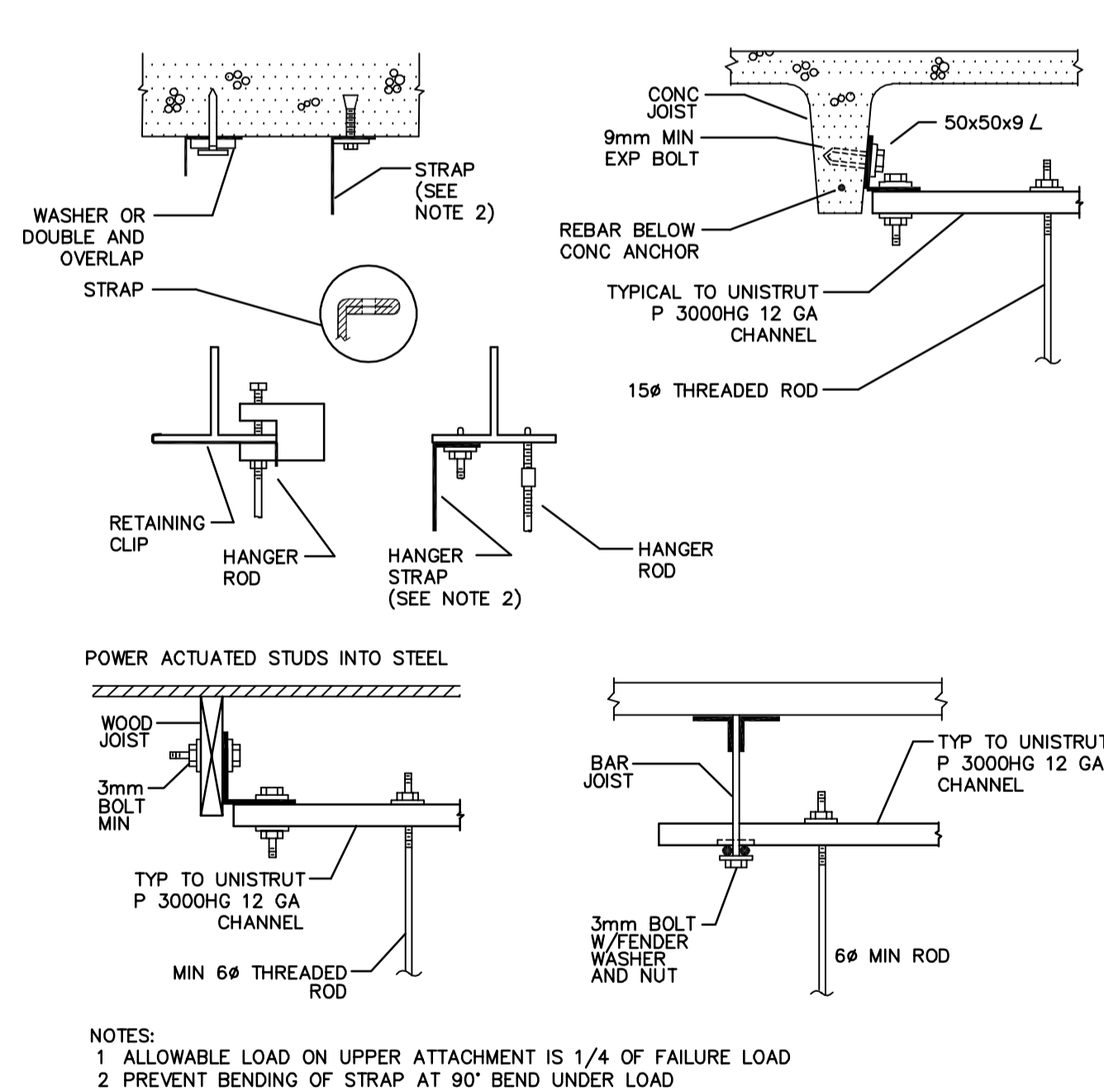
3 DUCT SUPPORTS FROM WALL DETAIL
N.T.S.



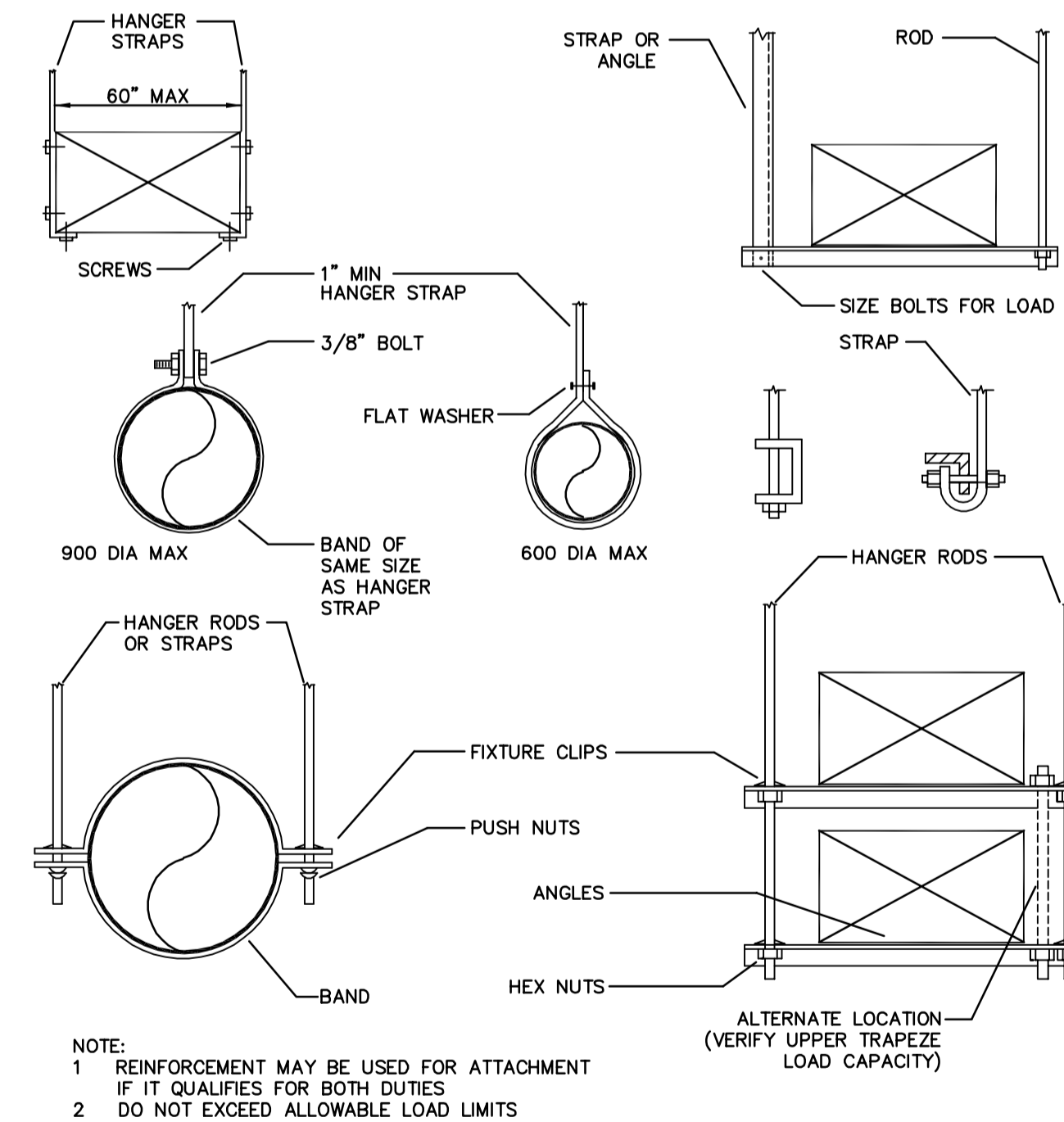
4 DUCT SUPPORT AT AND ABOVE CEILING - SUPPLY OR RETURN DETAIL
N.T.S.



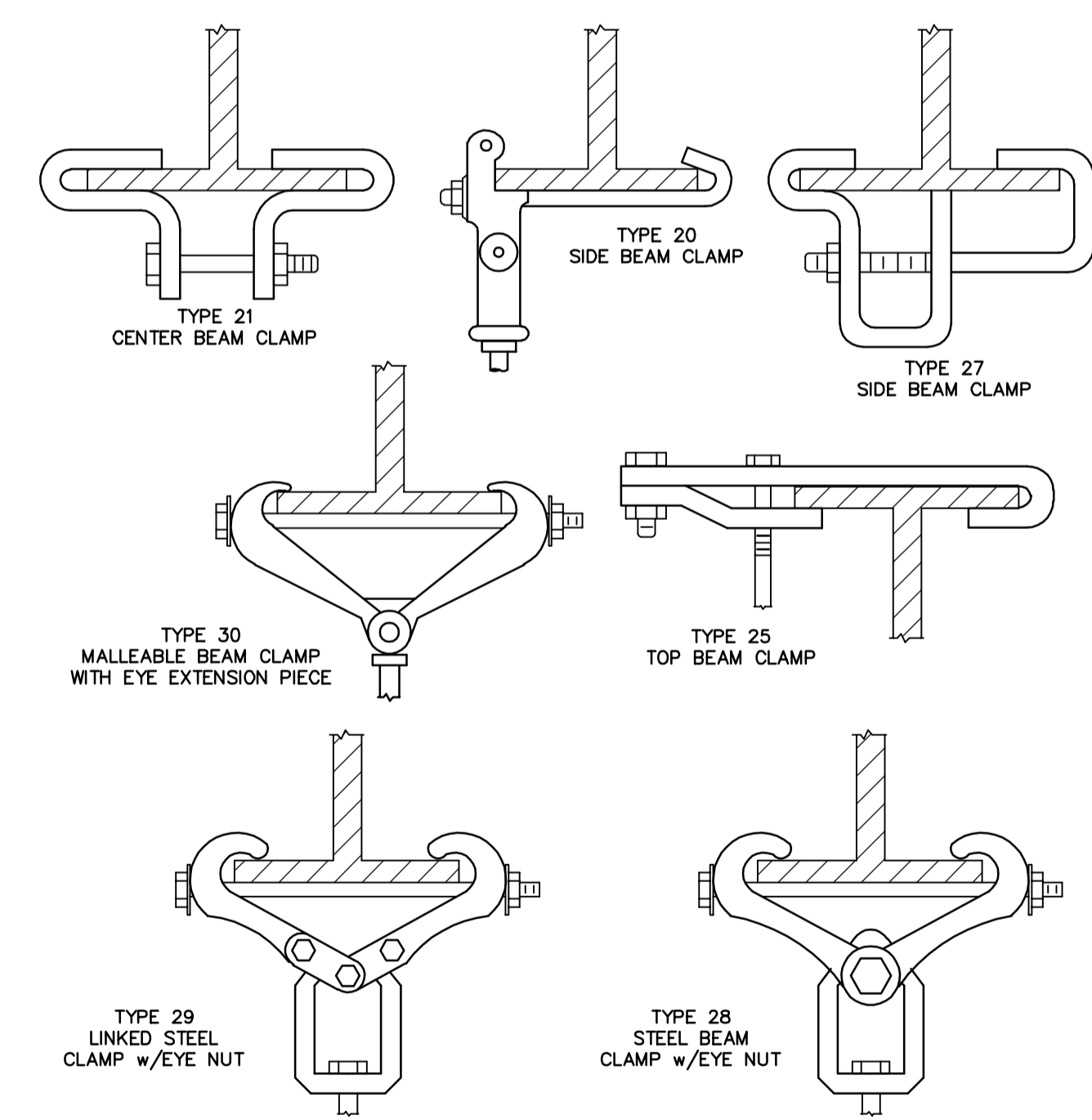
5 STRAIGHT SECTION FLEXIBLE DUCT SUPPORT REQUIREMENTS DETAIL
N.T.S.



6 UPPER ATTACHMENT AND JOIST HANGERS FOR DUCTWORK DETAIL
N.T.S.



7 LOWER HANGER ATTACHMENTS DETAIL
N.T.S.



8 BEAM CLAMPS DETAIL
N.T.S.

APECA
Certificate of Authorization
CH2M HILL Canada Ltd.
No. 1441 Expiry: April 30, 2006

B.M. ELEV.	
ISSUED FOR TENDER	06/03/29 TT
NO. REVISIONS	DATE BY
	DATE 2005/07/04

CH2MHILL Frederickson Cooper ARCHITECTS		EarthTech A Tyco International Ltd. Company	
DESIGNED BY	TT	CHECKED BY	DL
DRAWN BY	AM	APPROVED BY	AHL
SCALE:	NTS	RELEASED FOR CONSTRUCTION BY:	R. SOROKOWSKI
	DATE 2005/07/04	DATE	2006/03/29

ENGINEER'S SEAL
ORIGINAL SIGNED BY
D.K. CUDDINGTON
2006/03/29
CONSULTANT DRAWING NO.
WB-H0452

THE CITY OF WINNIPEG
WATER AND WASTE DEPARTMENT
ENGINEERING DIVISION

WATER TREATMENT PLANT
MAIN BUILDING
MECHANICAL AND ELECTRICAL

HVAC
STANDARD DETAILS

CITY FILE NUMBER
SHEET OF
CITY DRAWING NUMBER
1-0601B-A-H0452-001-000