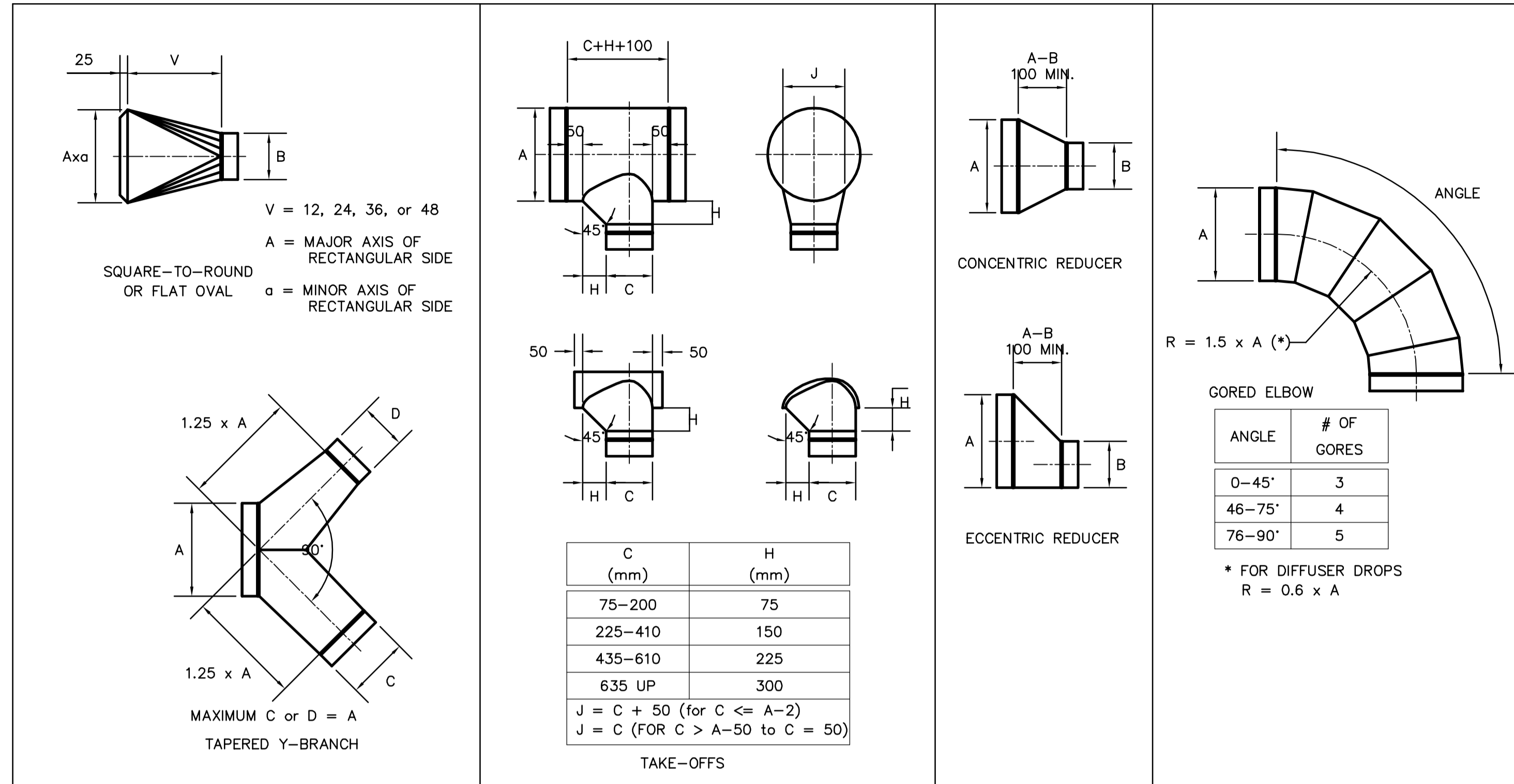


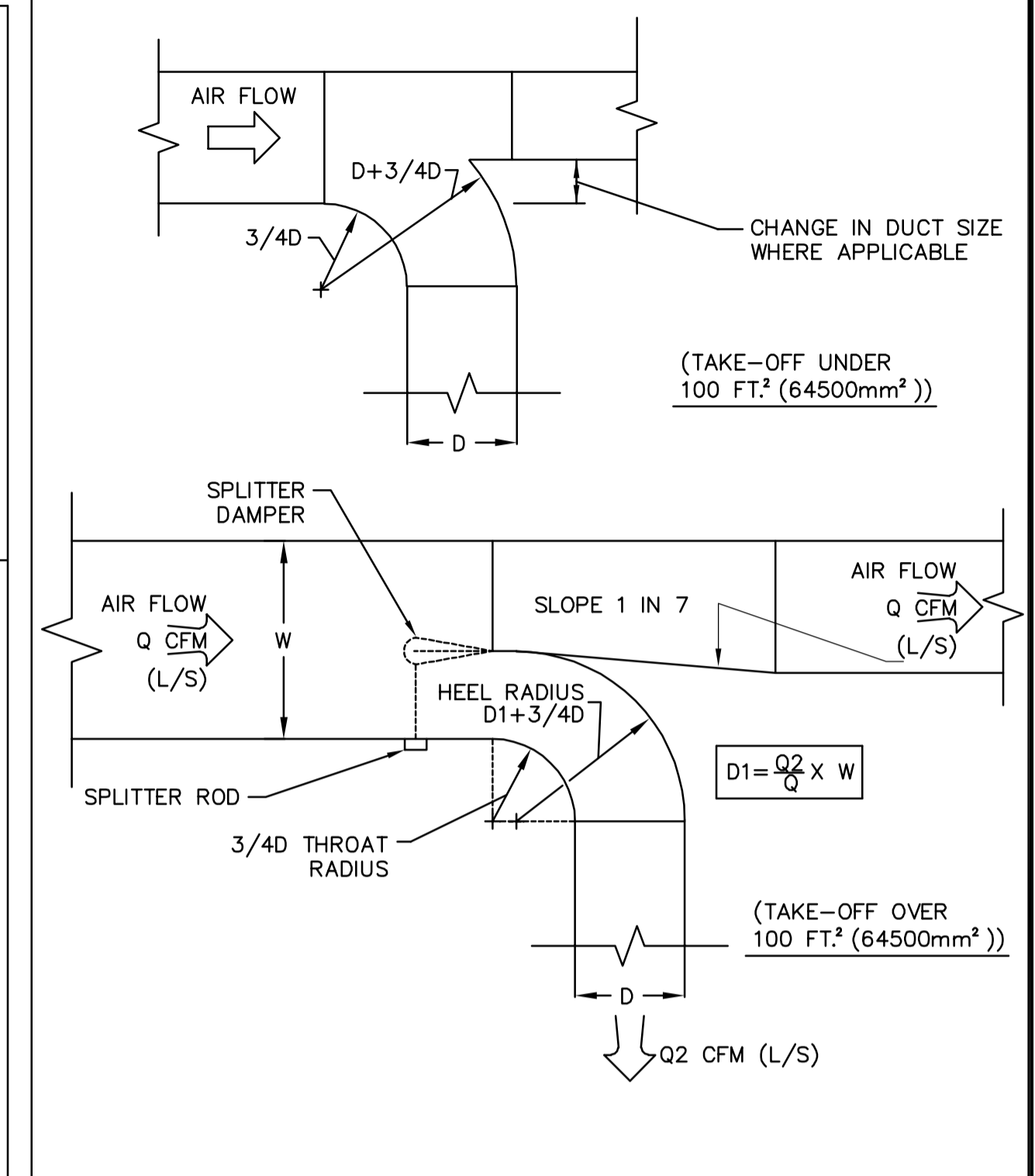
STATIC PRESSURE RATING	DOOR SIZE	HINGE QTY.	LOCK QTY.	METAL GAUGE		
				FRAME	DOOR	BACK
500 Pa & LESS	300 x 300	2	1-S	24	26	26
	400 x 500	2	2-S	22	24	26
	600 x 600	3	2-S	22	22	26
UP TO 750 Pa	300 x 300	2	1-S	22	22	26
	400 x 500	2	1-S, 1-T, 1-B	20	20	26
	600 x 600	3	2-S, 1-T, 1-B	20	20	24
1000 Pa to 2500 Pa	300 x 300	2	1-S, 1-T, 1-B	20	20	26
	400 x 500	3	2-S, 1-T, 1-B	20	18	24
	600 x 600	3	2-S, 2-T, 2-B	18	18	24

S: SIDE OPPOSITE HINGE, T: TOP, B: BOTTOM

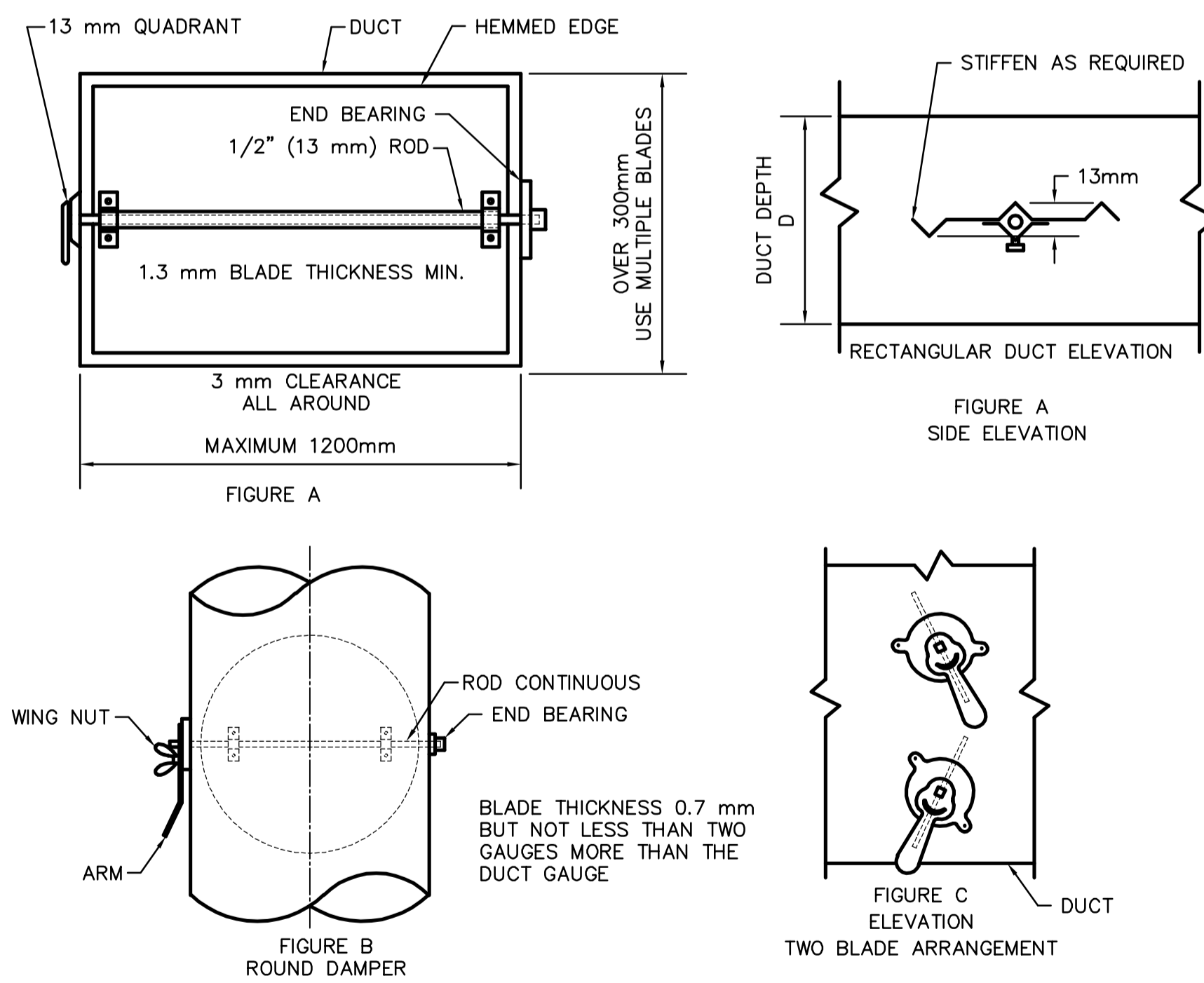
**1** DUCT ACCESS DOOR DETAILS  
- N.T.S.



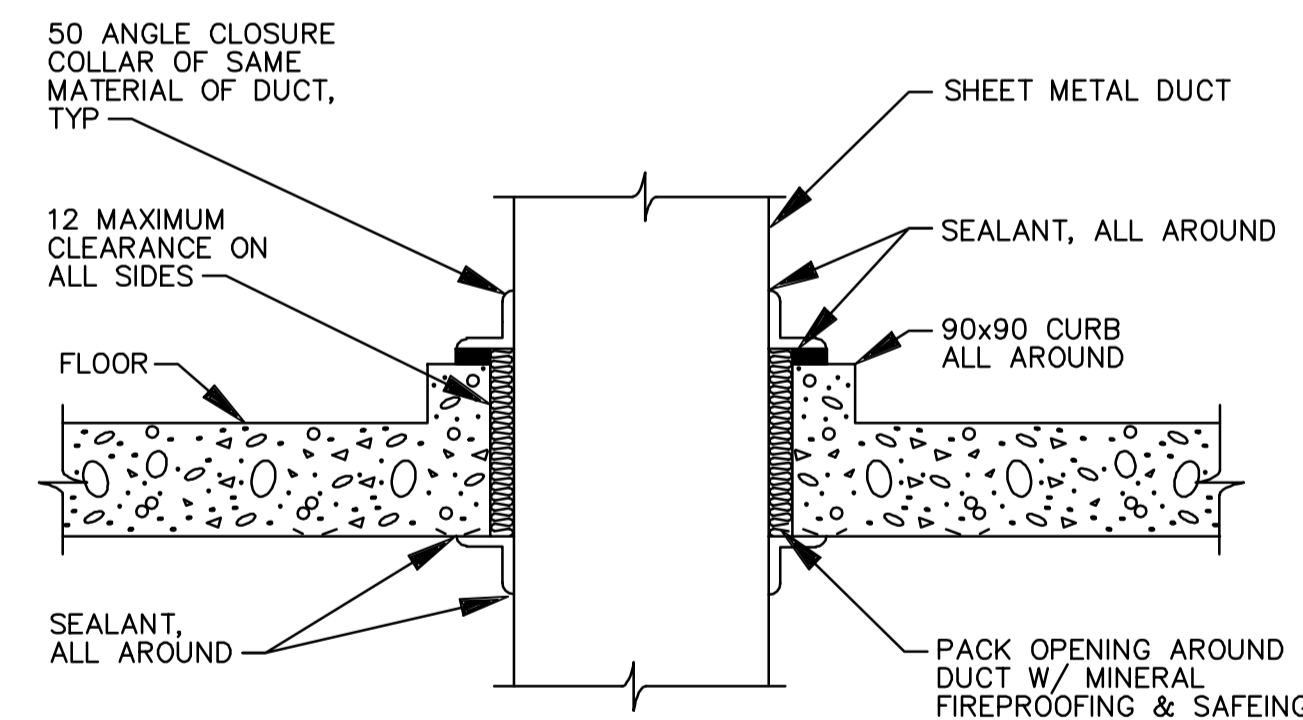
**2** ROUND AND FLAT OVAL DUCT FITTINGS  
- N.T.S.



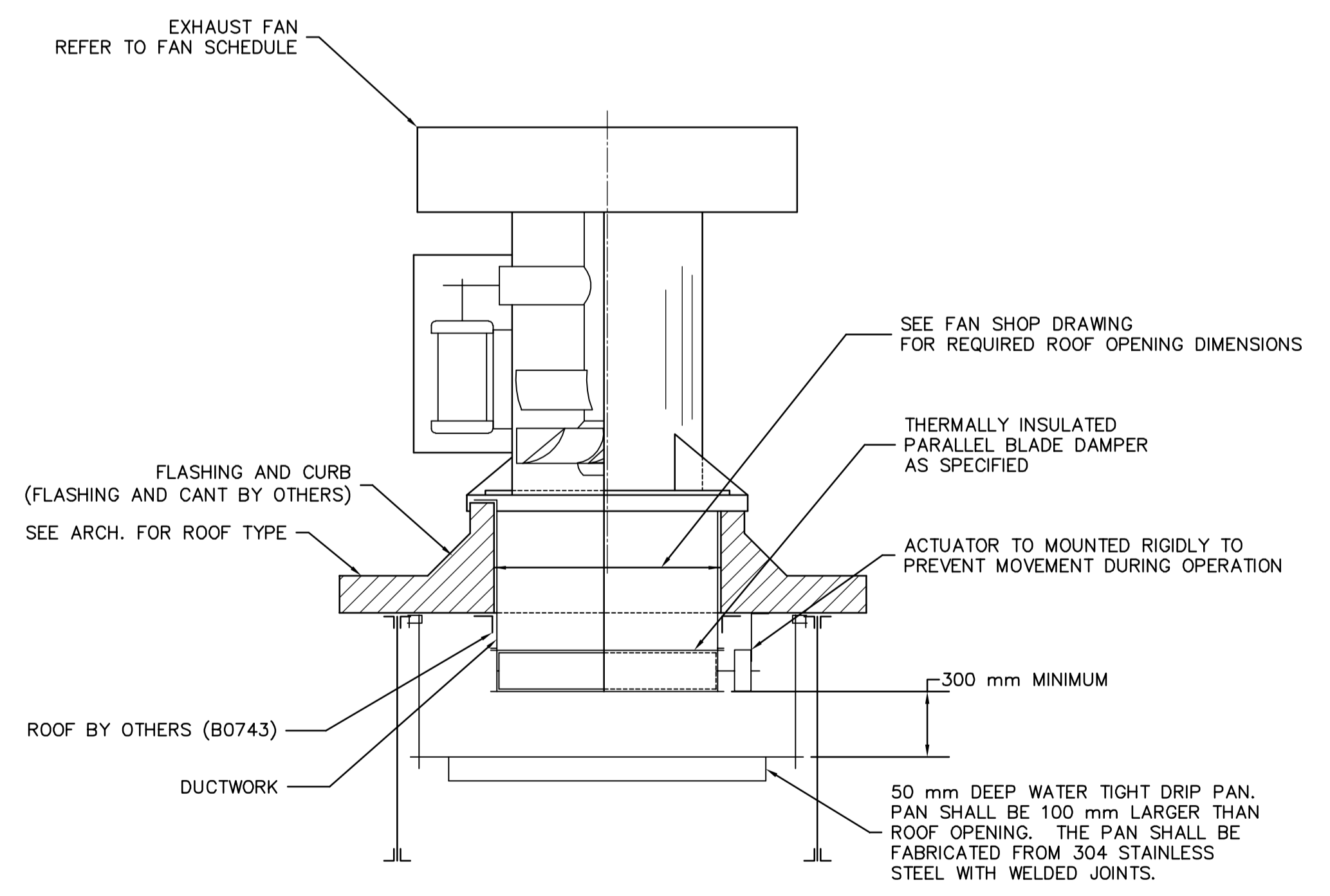
**3** DUCT TAKE-OFFS DETAIL  
- N.T.S.



**4** BALANCING DAMPER DETAIL  
- N.T.S.



**5** FLOOR PENETRATION - WET AREA  
- N.T.S.



**6** EXHAUST FAN DETAIL  
- N.T.S.

**APECA**  
Certificate of Authorization  
CH2M HILL Canada Ltd.  
No. 1441 Expiry: April 30, 2006

NO.	REVISIONS	DATE	BY
00	ISSUED FOR TENDER	06/03/29	TT

DESIGNED BY	TT	CHECKED BY	DL
DRAWN BY	AM	APPROVED BY	AHL
SCALE:	NTS	RELEASED FOR CONSTRUCTION BY:	R. SOROKOWSKI
DATE	2005/07/04	DATE	2006/03/29

ENGINEER'S SEAL  
ORIGINAL SIGNED BY  
D.K. CUDDINGTON  
2006/03/29  
CONSULTANT DRAWING NO.  
WB-H0453

**THE CITY OF WINNIPEG**  
WATER AND WASTE DEPARTMENT  
ENGINEERING DIVISION

WATER TREATMENT PLANT  
MAIN BUILDING  
MECHANICAL AND ELECTRICAL

HVAC  
STANDARD DETAILS

CITY FILE NUMBER  
SHEET OF  
CITY DRAWING NUMBER  
1-0601B-A-H0453-001-000