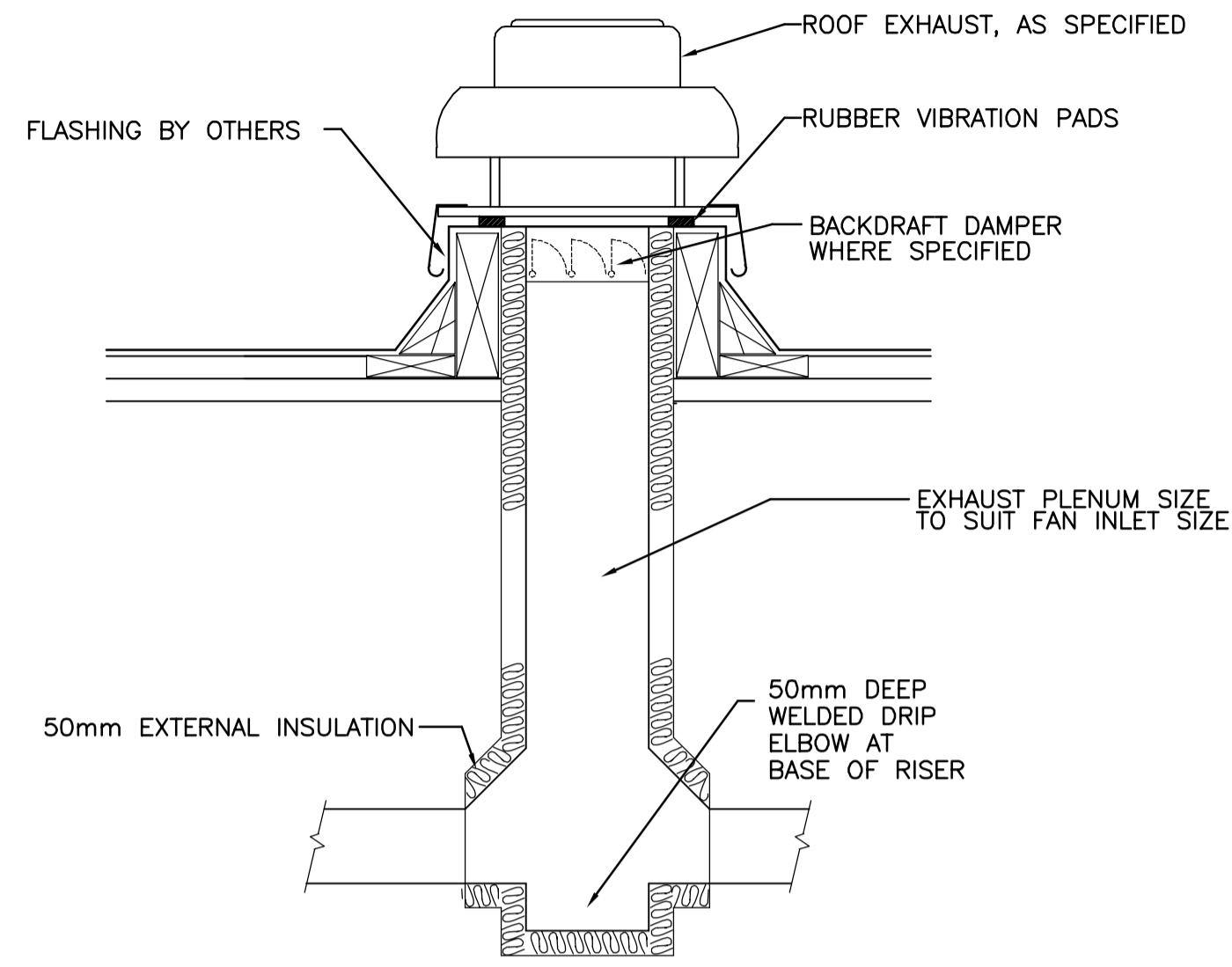
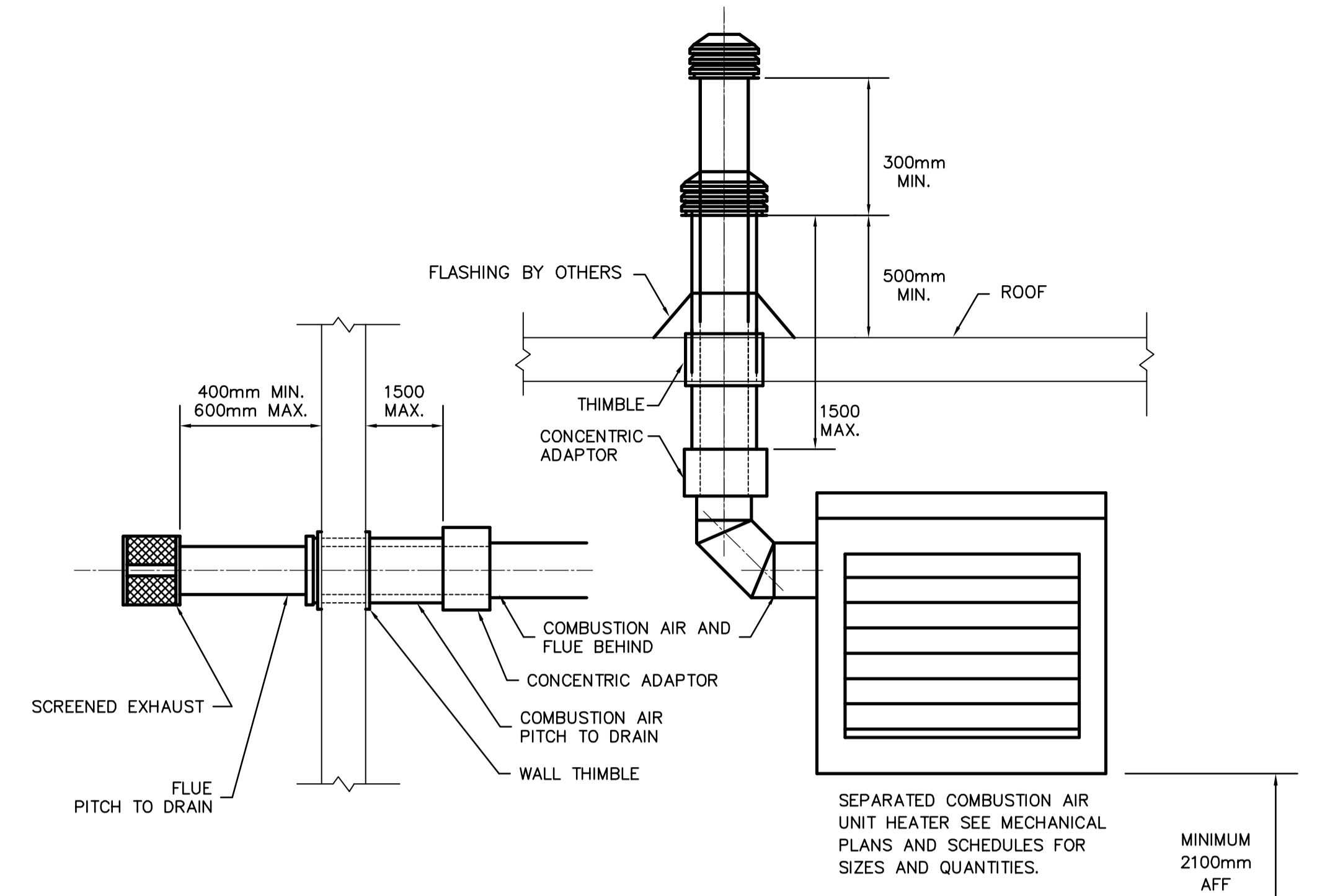


1 TYPICAL GOOSENECK DETAIL
- N.T.S.

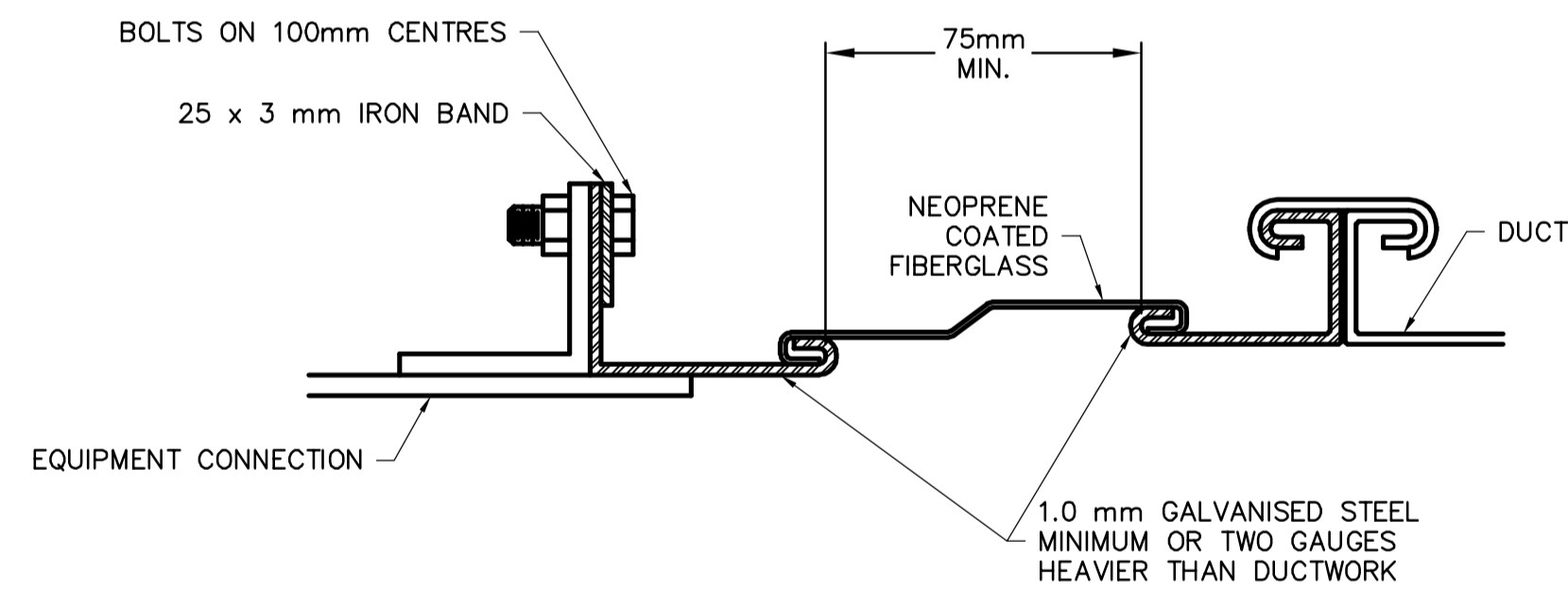


2 ROOF MOUNTED CENTRIFUGAL EXHAUST FAN
- N.T.S.

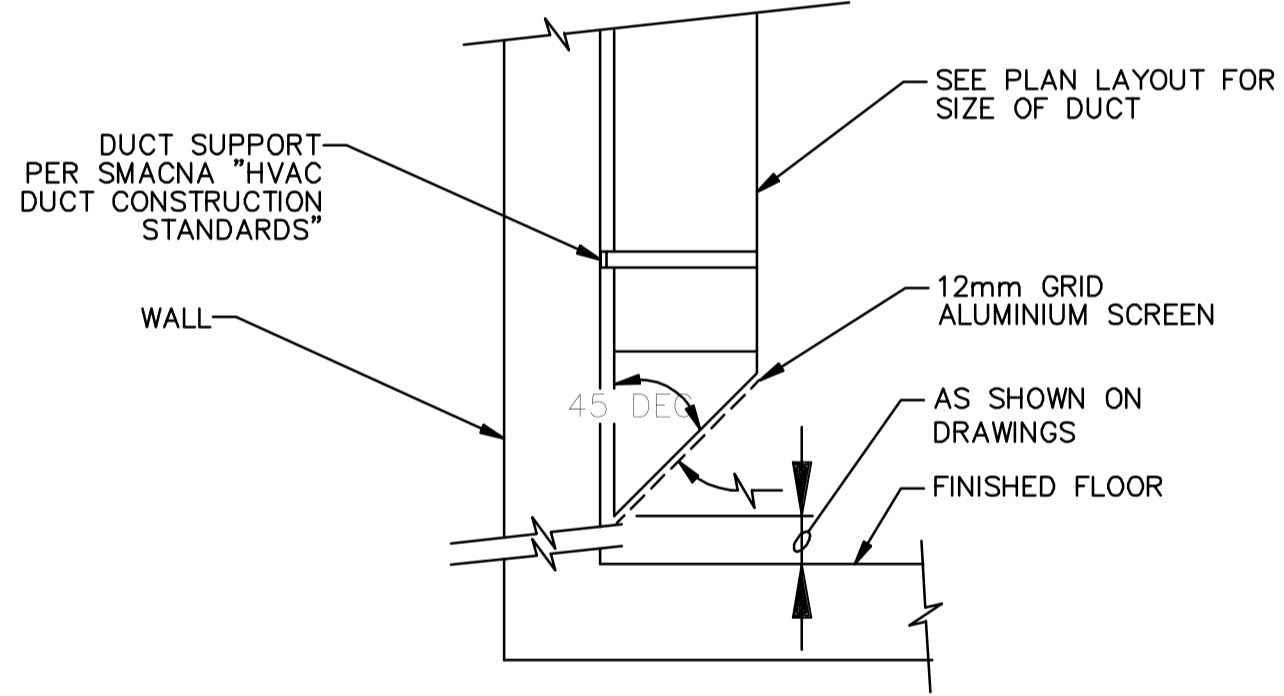


NOTES:
1. PROVIDE DRIP LEG ON GAS SUPPLY LINE AND SHUT-OFF BALL VALVE FOR GAS SERVICE

3 GAS FIRED UNIT HEATER DETAIL
- N.T.S.

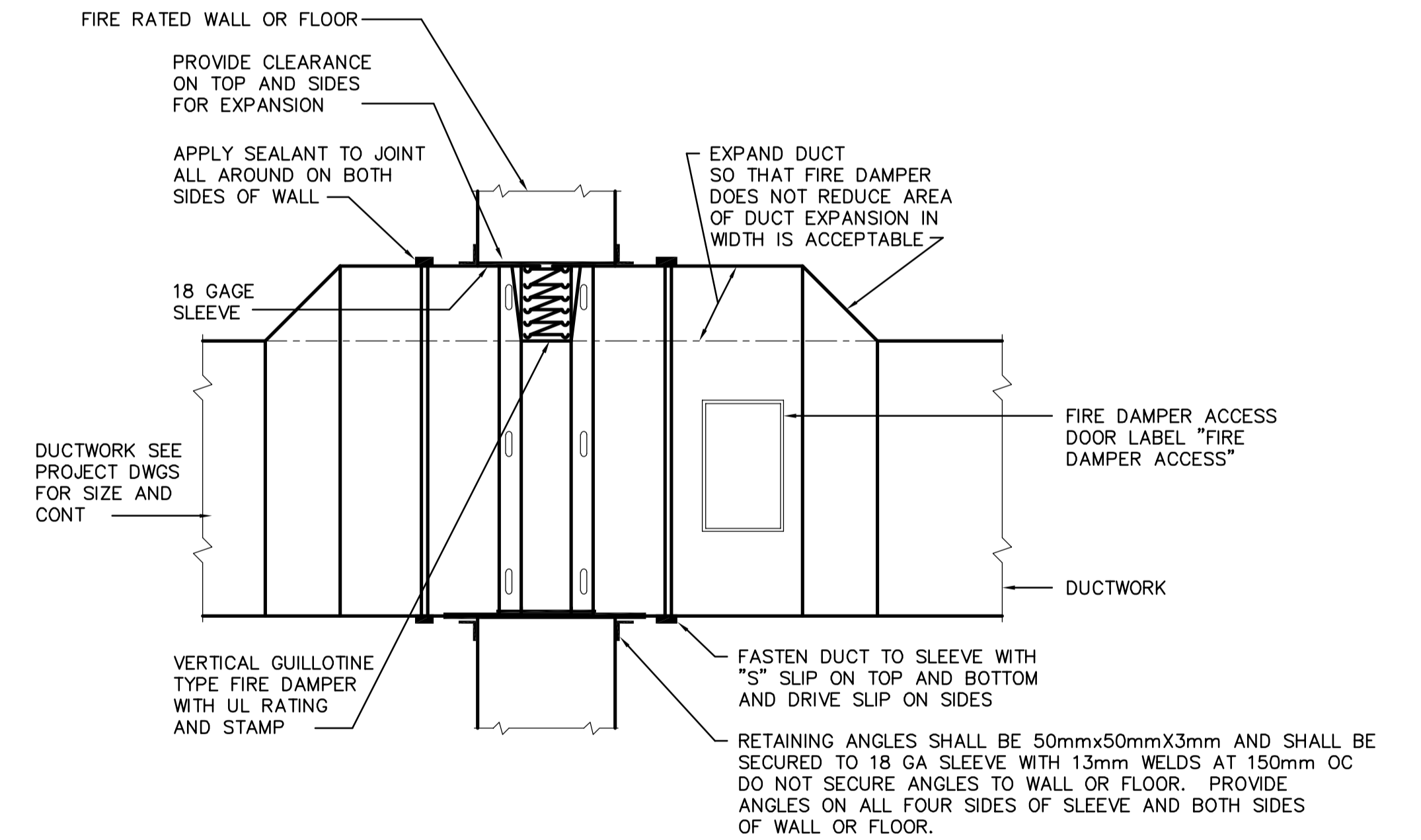


4 FLEXIBLE DUCT FAN CONNECTION DETAIL
- N.T.S.



NOTES:
1. ALL DIMENSIONS IN MILLIMETERS, UNLESS OTHERWISE NOTED.
2. PROVIDE OPPOSED BLADE BALANCING DAMPER WITH QUADRANT LOCKING MECHANISM AND HANDLE NEAR DUCT CONNECTION TO THE MAIN DUCT.

5 FLOOR EXHAUST DUCT
- N.T.S.



6 TYPE 'B' FIRE DAMPER DETAIL
- N.T.S.

APECA
Certificate of Authorization
CH2M HILL Canada Ltd.
No. 1441 Expiry: April 30, 2006

B.M. ELEV.			
DESIGNED BY	TT	CHECKED BY	DL
DRAWN BY	AM	APPROVED BY	AHL
SCALE:	NTS	RELEASED FOR CONSTRUCTION BY:	R. SOROKOWSKI
00 ISSUED FOR TENDER	06/03/29	DATE	2005/07/04
NO. REVISIONS	DATE	BY	DATE

CH2MHILL
Frederickson Cooper
ARCHITECTS

EarthTech
A Tyco International Ltd. Company

ENGINEER'S SEAL
ORIGINAL SIGNED BY
D.K. CUDDINGTON
2006/03/29
CONSULTANT DRAWING NO.
WB-H0454

THE CITY OF WINNIPEG
WATER AND WASTE DEPARTMENT
ENGINEERING DIVISION
WATER TREATMENT PLANT
MAIN BUILDING
MECHANICAL AND ELECTRICAL
HVAC
STANDARD DETAILS
CITY FILE NUMBER
SHEET OF
CITY DRAWING NUMBER
1-0601B-A-H0454-001-000