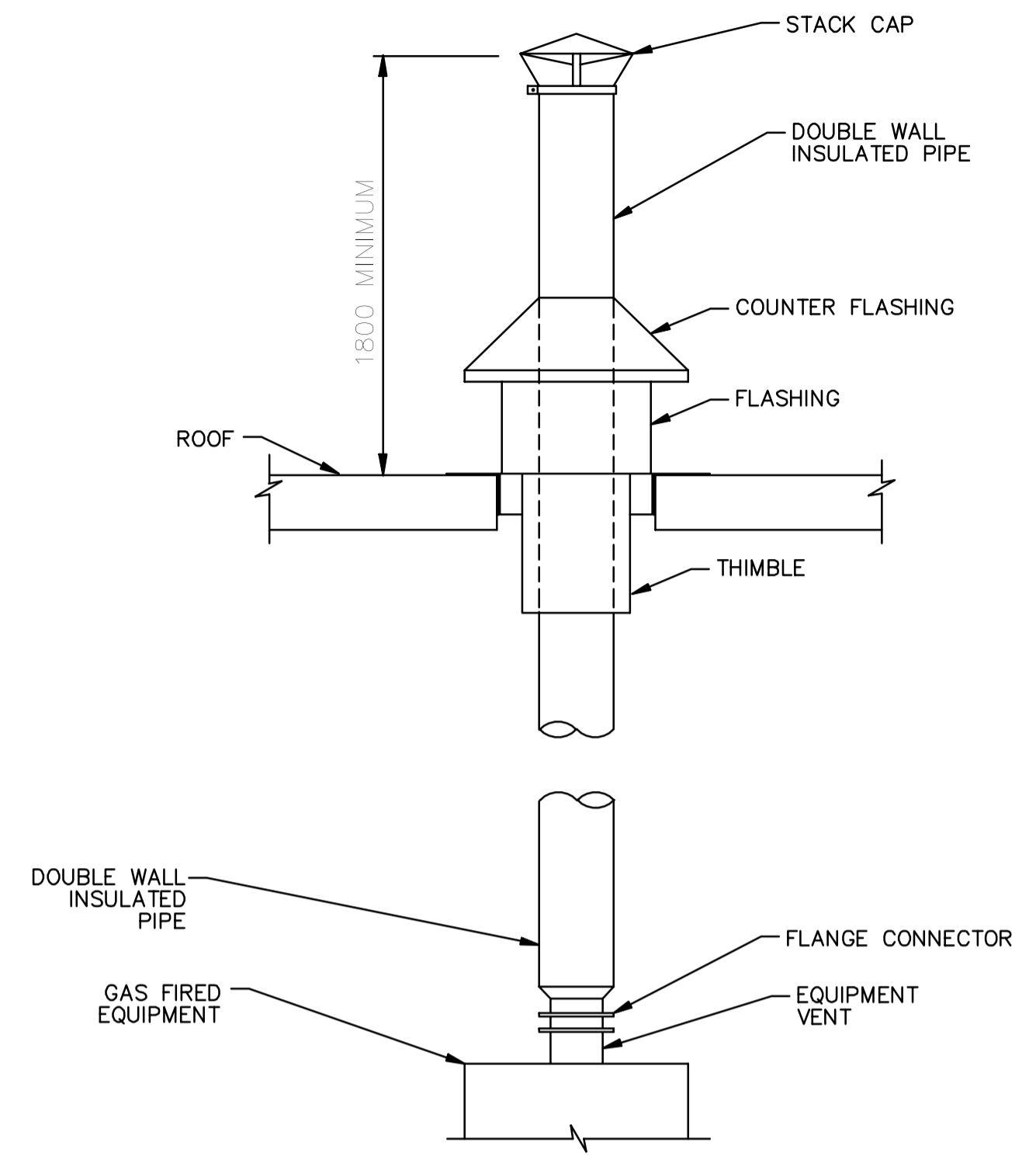
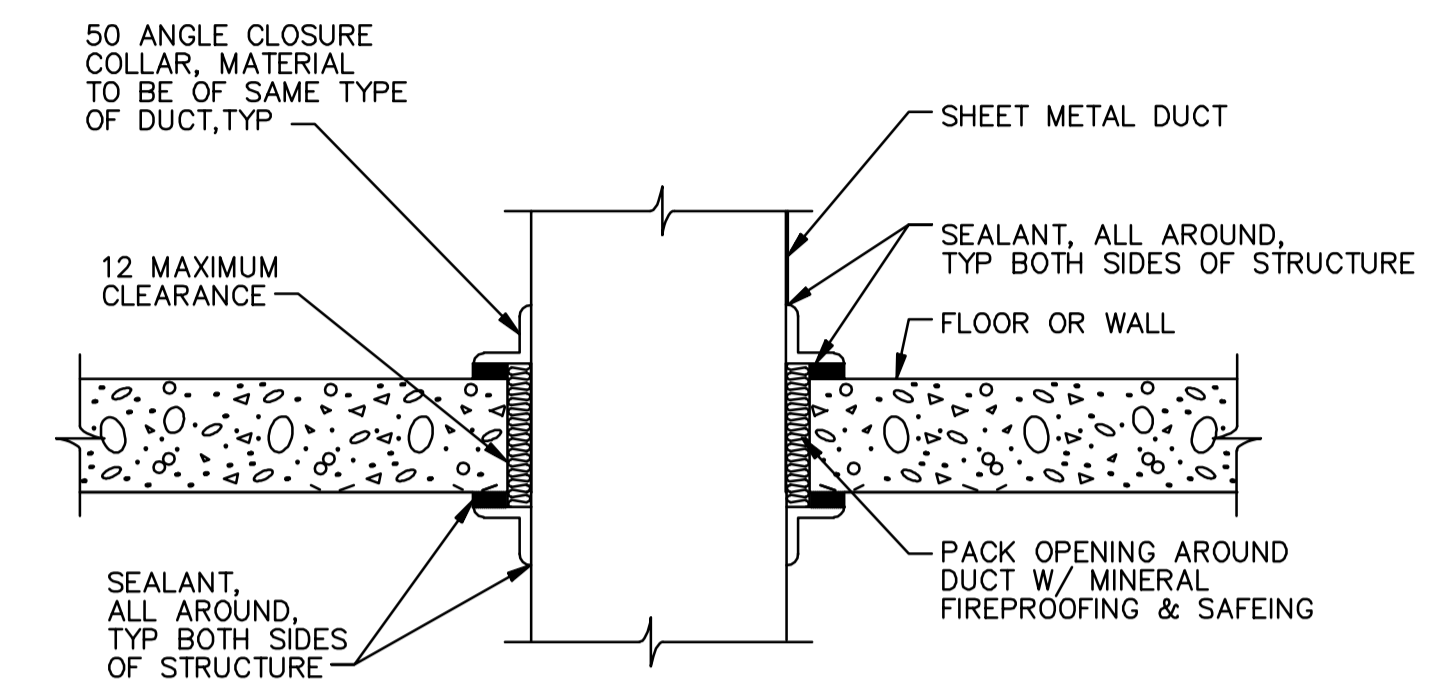


1 COMBUSTION AIR DUCT DETAIL
- N.T.S.



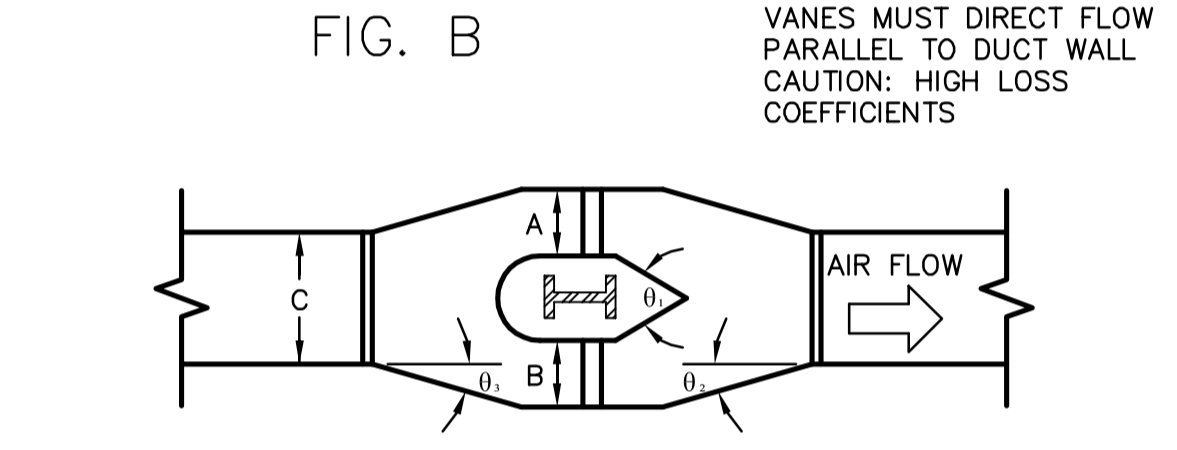
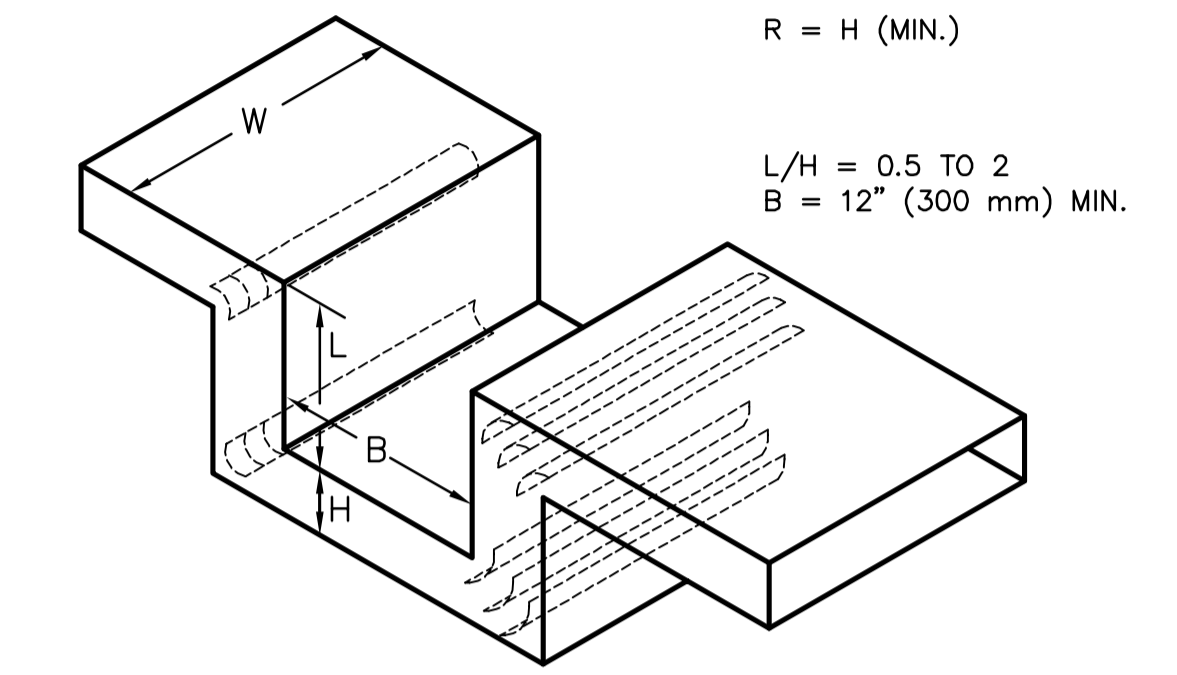
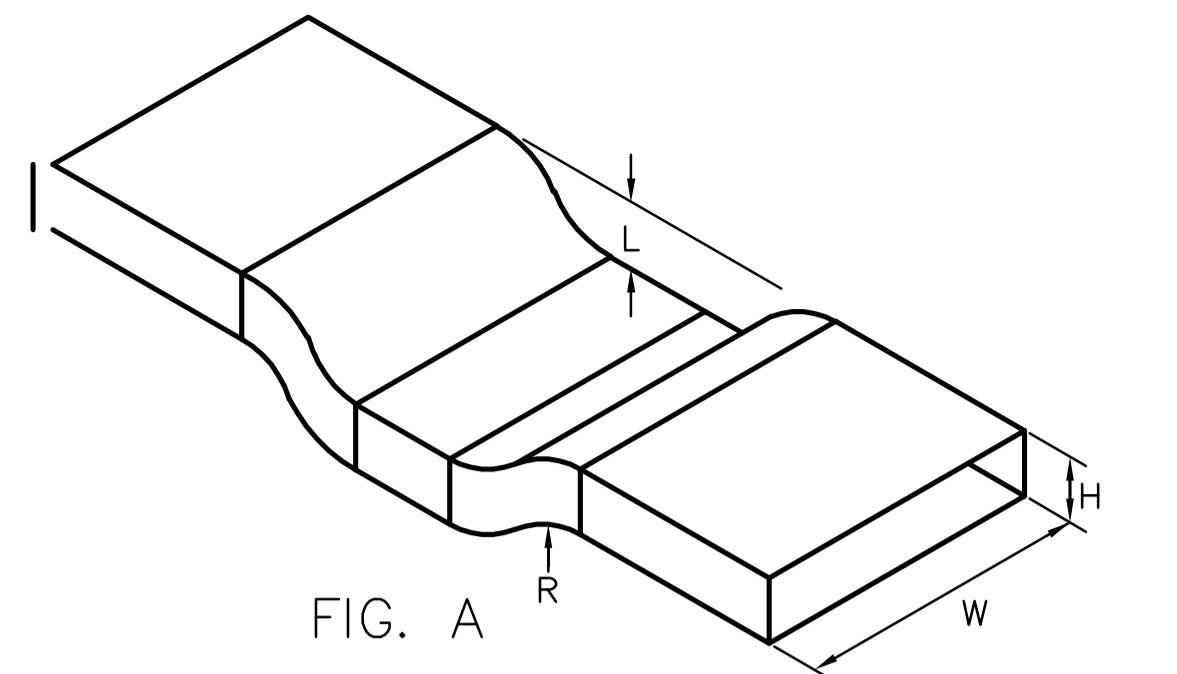
- NOTES :
1. ALL DIMENSIONS ARE IN MILLIMETRES UNLESS OTHERWISE NOTED.
 2. ENTIRE VENTING SYSTEM SHALL CONSIST OF LISTED FACTORY-MADE PARTS
 3. PROVIDE CLEAN-OUT ACCESS AS PER APPLICABLE GAS CODES
 4. PROVIDE OFFSET AS REQUIRED TO PENETRATE ROOF AT MINIMUM 6000 FROM PERIMETER

2 GAS FIRED AIR HANDLING EQUIPMENT VENT STACK
- N.T.S.



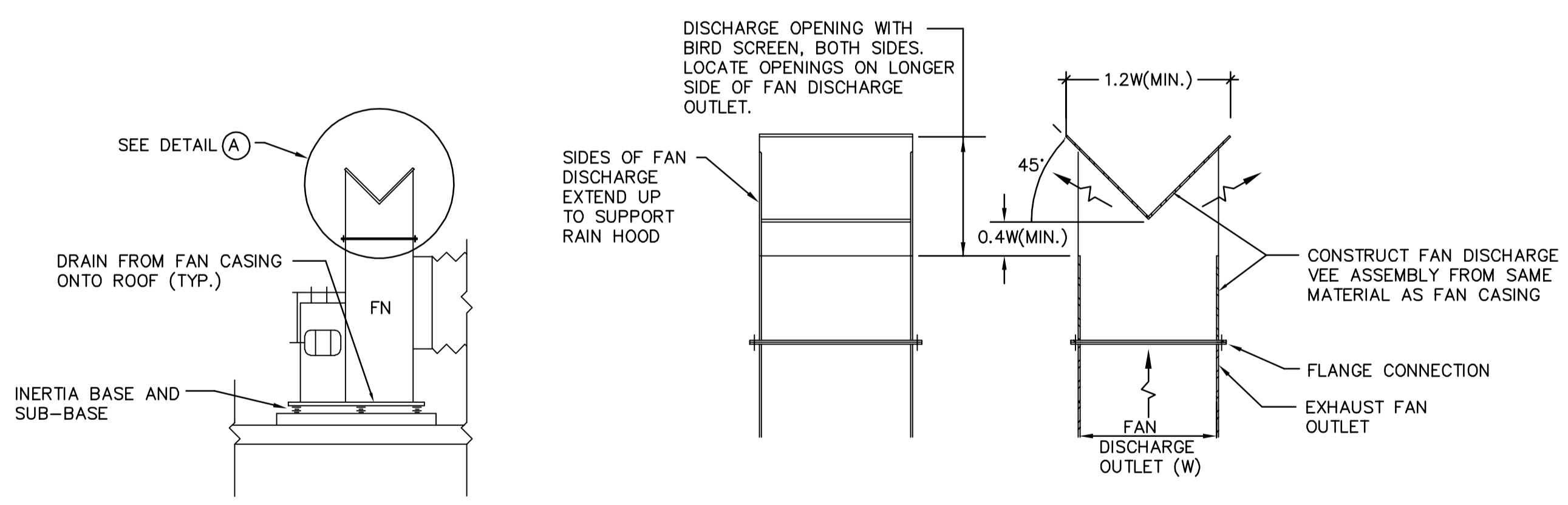
1. ALL DIMENSIONS IN MILLIMETERS,
- NOTES:
1. WALL PENETRATION SIMILAR.
 2. 50 ANGLE CLOSURE COLLAR OF SAME MATERIAL AS DUCT.

3 FLOOR PENETRATION - DRY AREA
- N.T.S.

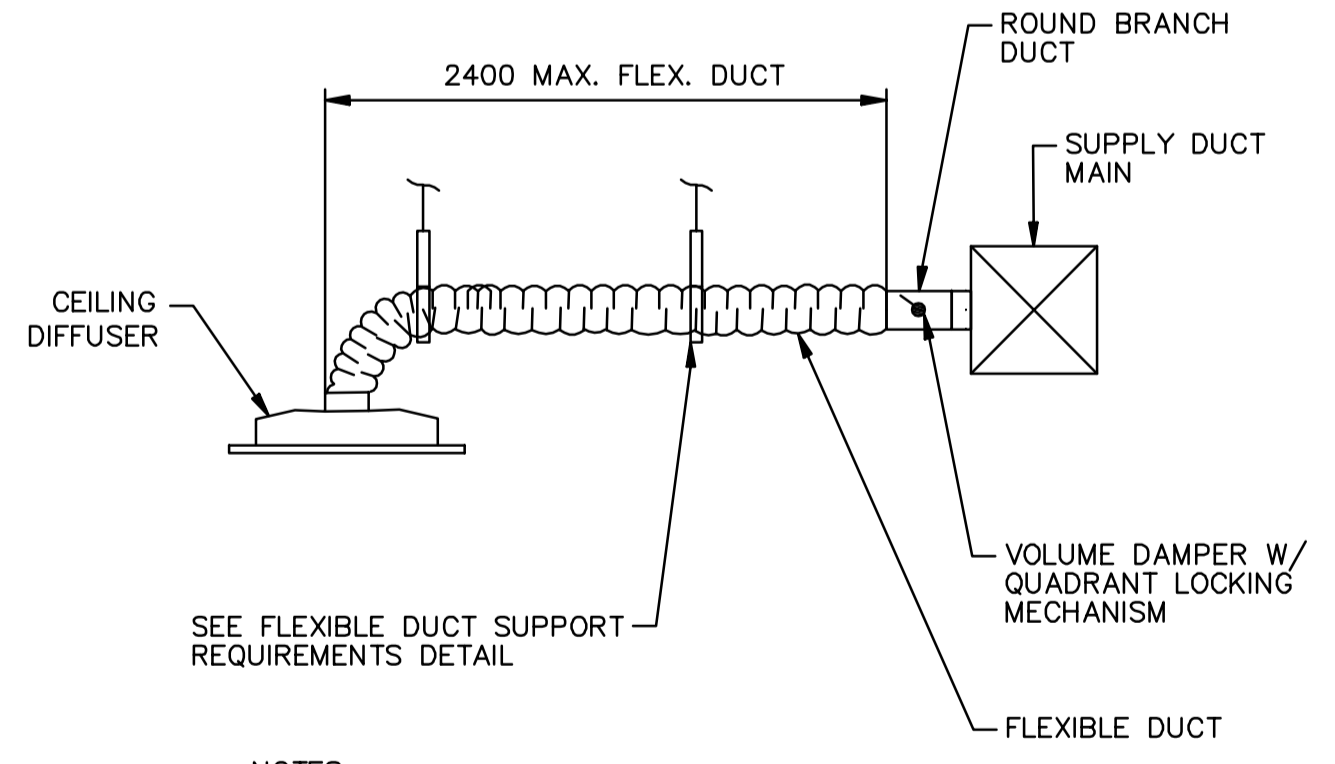


- A+B = 1.25C (MIN.) AT CONSTANT DEPTH
- (USED WHEN OBSTRUCTION EXCEEDS 20% OF SECTION AREA AND OFFSETS AROUND ARE NOT POSSIBLE)

4 DUCT OBSTRUCTION DETAILS
- N.T.S.

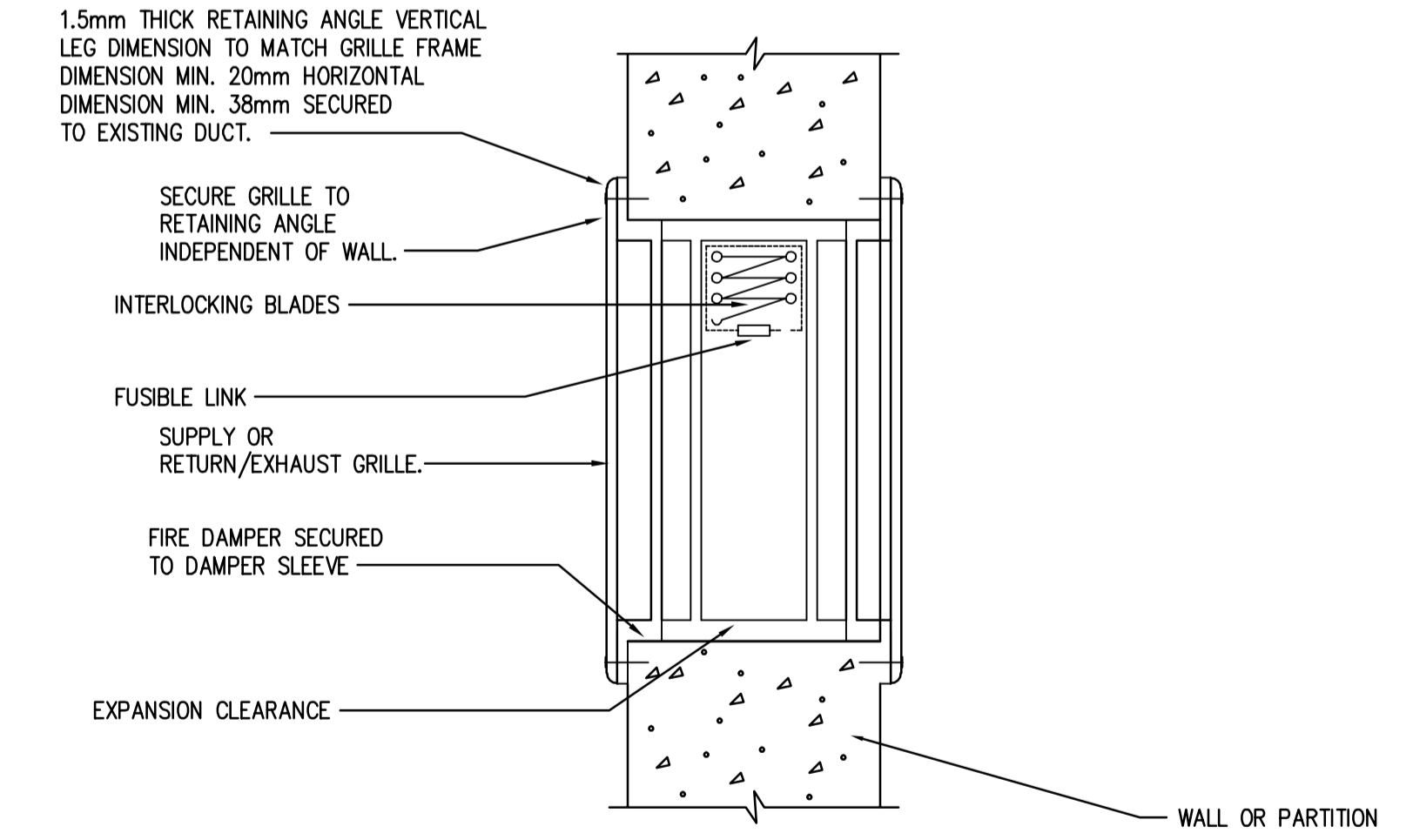


5 ROOFTOP CENTRIFUGAL FAN DISCHARGE
- N.T.S.



- NOTES :
1. ALL DIMENSIONS IN MILLIMETRES, UNLESS OTHERWISE NOTED.

6 CEILING DIFFUSER SUPPLY DUCT CONNECTION
- N.T.S.



7 FLUSH MOUNTED FIRE DAMPER
- N.T.S.

APECA
Certificate of Authorization
CH2M HILL Canada Ltd.
No. 1441 Expiry: April 30, 2006

B.M. ELEV.			
DESIGNED BY	TT	CHECKED BY	DL
DRAWN BY	AM	APPROVED BY	AHL
SCALE:	NTS	RELEASED FOR CONSTRUCTION BY:	R. SOROKOWSKI
00 ISSUED FOR TENDER	06/03/29	DATE	2005/07/04
NO. REVISIONS	DATE	BY	DATE

CH2MHILL
Frederickson Cooper ARCHITECTS

EarthTech
A 3M International Ltd. Company

DESIGNED BY TT CHECKED BY DL
D.K. CUDDINGTON
2006/03/29

SCALE: NTS
RELEASED FOR CONSTRUCTION BY: R. SOROKOWSKI
DATE 2006/03/29

ENGINEER'S SEAL
ORIGINAL SIGNED BY
D.K. CUDDINGTON
2006/03/29
CONSULTANT DRAWING NO.
WB-H0455

THE CITY OF WINNIPEG
WATER AND WASTE DEPARTMENT
ENGINEERING DIVISION

WATER TREATMENT PLANT
MAIN BUILDING
MECHANICAL AND ELECTRICAL

HVAC
STANDARD DETAILS

CITY FILE NUMBER
SHEET OF
CITY DRAWING NUMBER
1-0601B-A-H0455-001-000