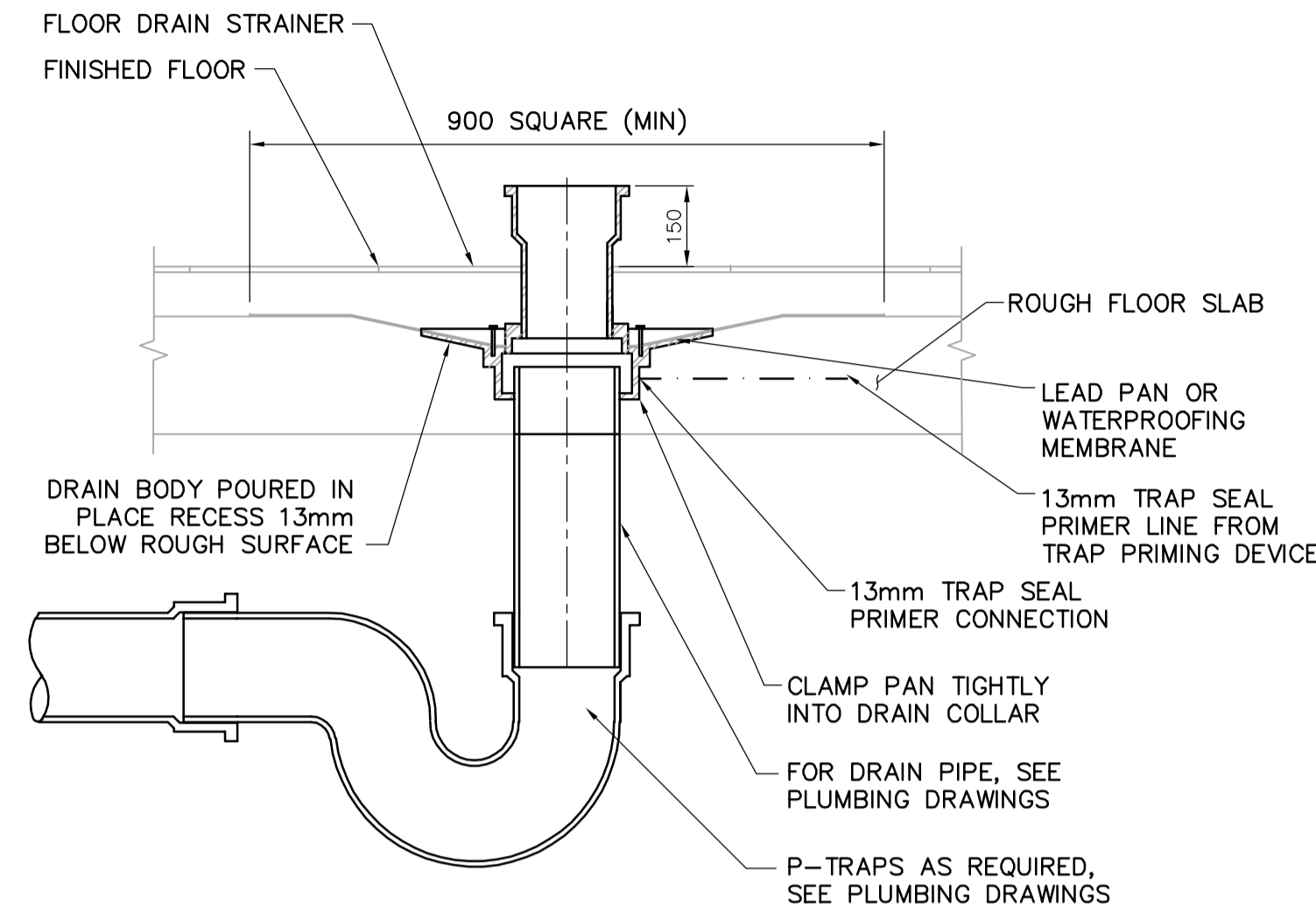


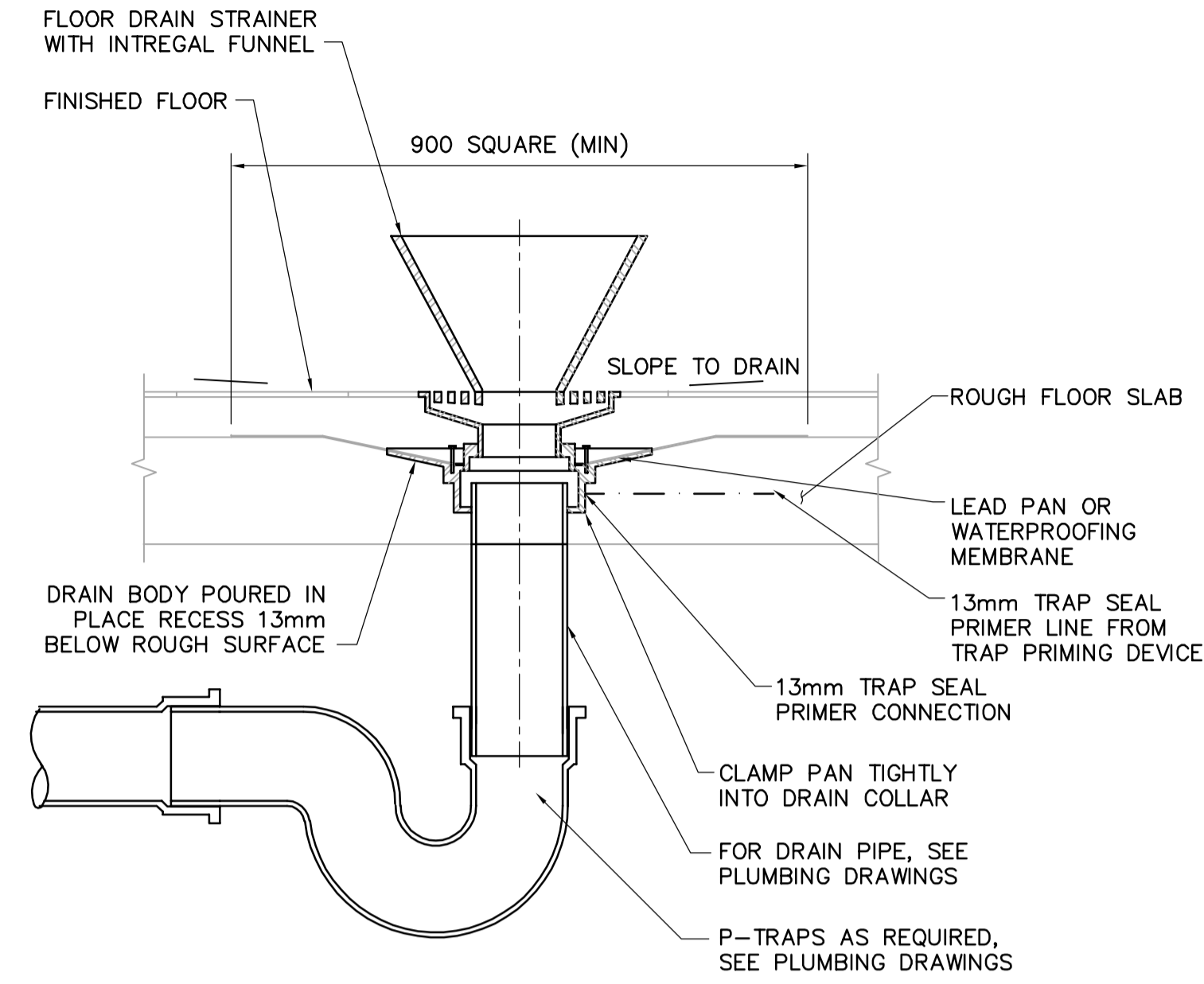
NOTE:
LEAD PAN OR MEMBRANE APPLIES TO ALL SHOWER ROOMS & DRAINS ABOVE FIRST FLOOR

1 FLOOR DRAIN (FD-1) AND (FD-8)
- N.T.S.



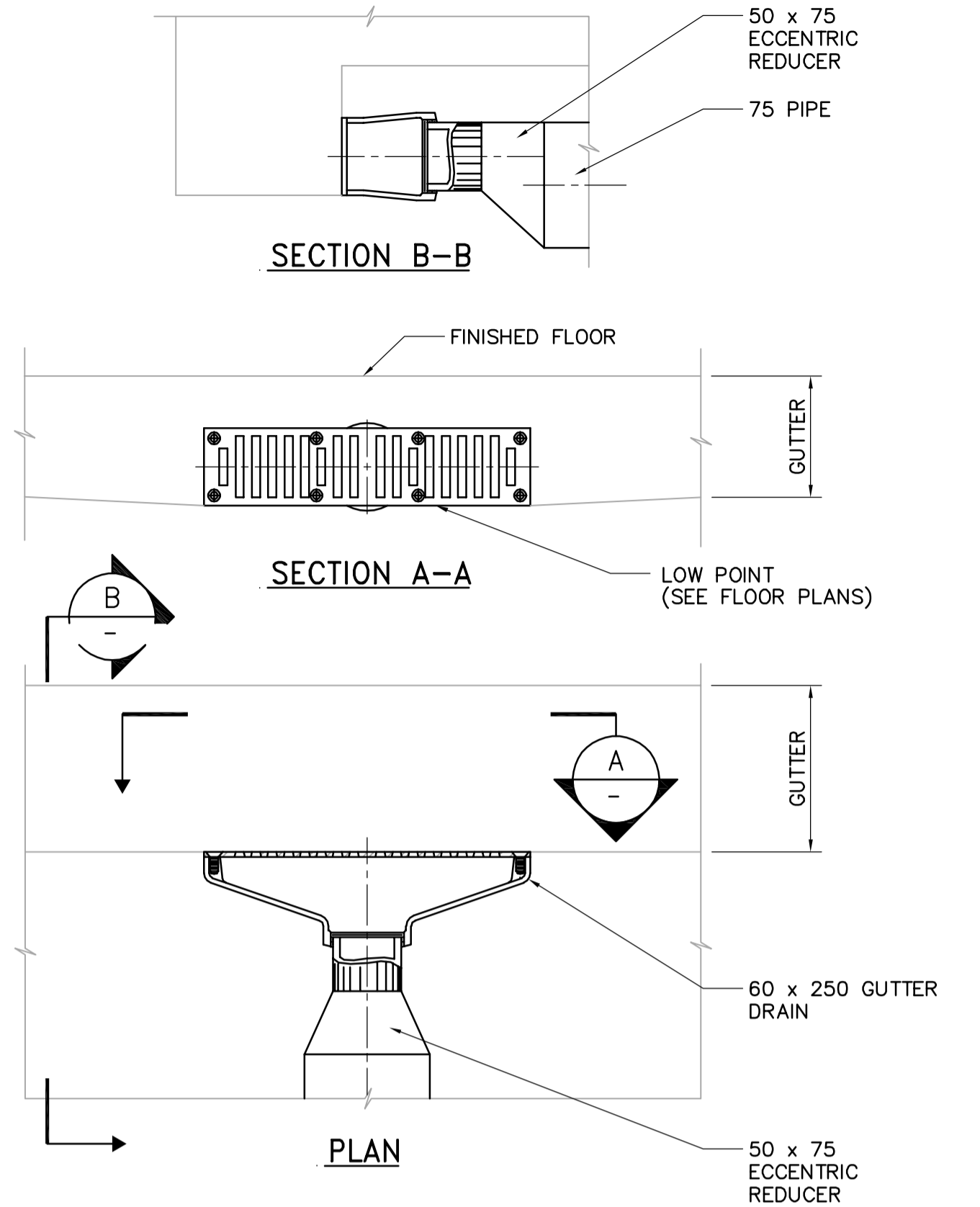
NOTE:
LEAD PAN OR MEMBRANE APPLIES TO ALL SHOWER ROOMS & DRAINS ABOVE FIRST FLOOR

2 HUB DRAIN (FD-2)
- N.T.S.

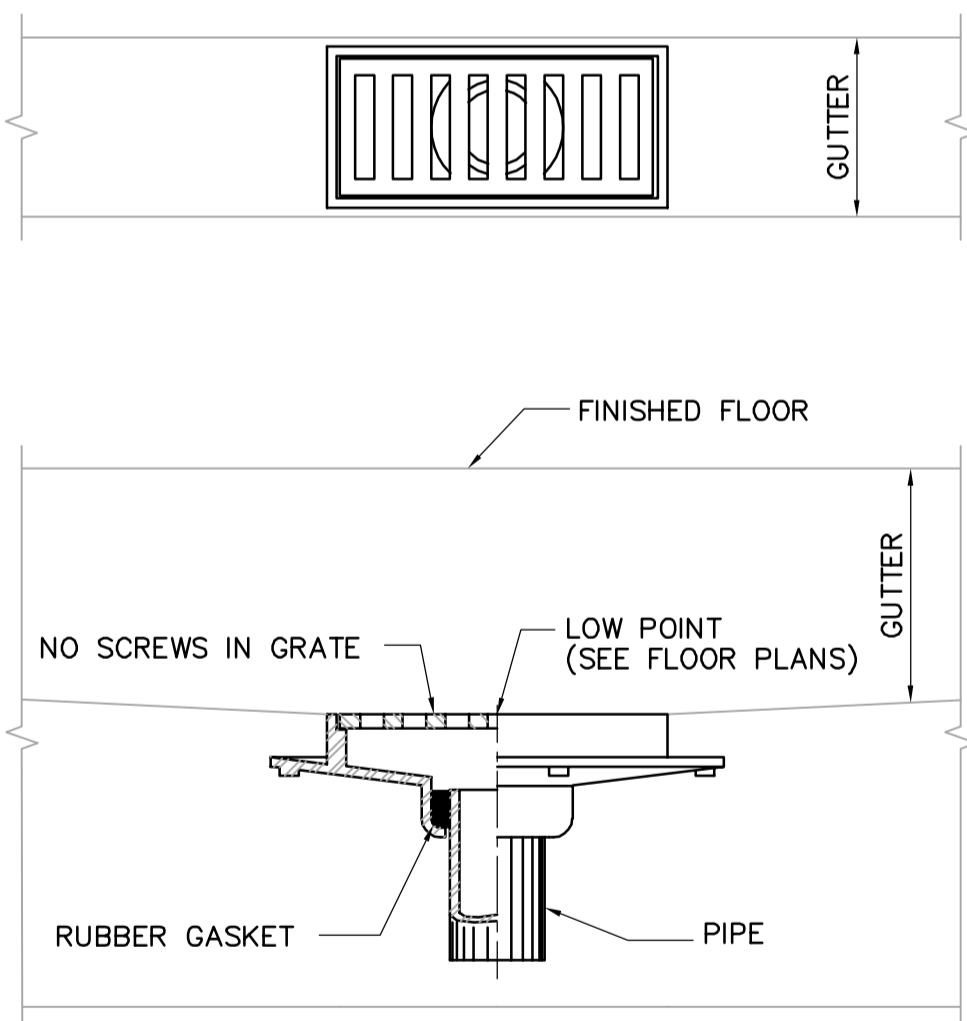


NOTE:
LEAD PAN OR MEMBRANE APPLIES TO ALL SHOWER ROOMS & DRAINS ABOVE FIRST FLOOR

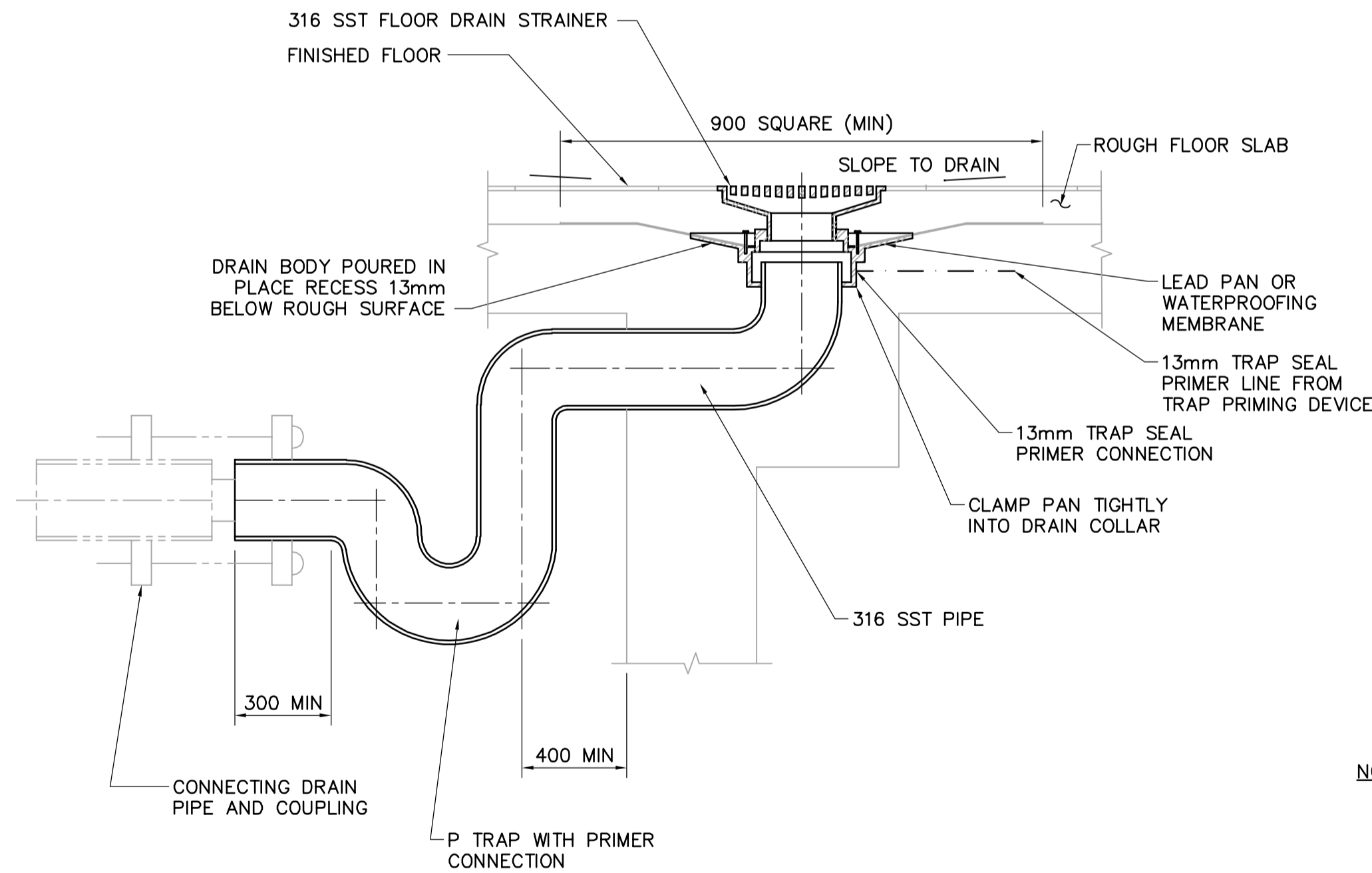
3 FLOOR DRAIN W/ FUNNEL (FD-3)
- N.T.S.



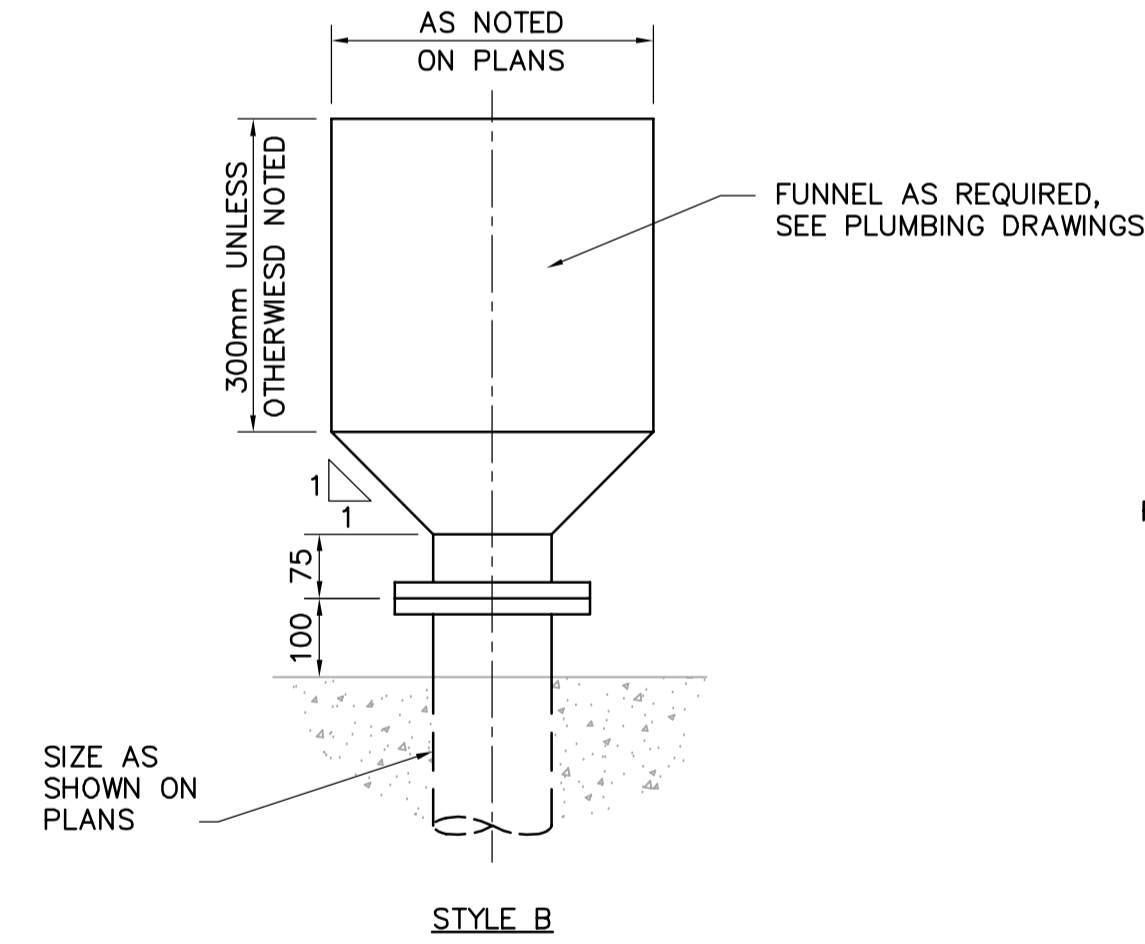
4 GUTTER DRAIN (FD-4)
- N.T.S.



5 GUTTER DRAIN (FD-5)
- N.T.S.

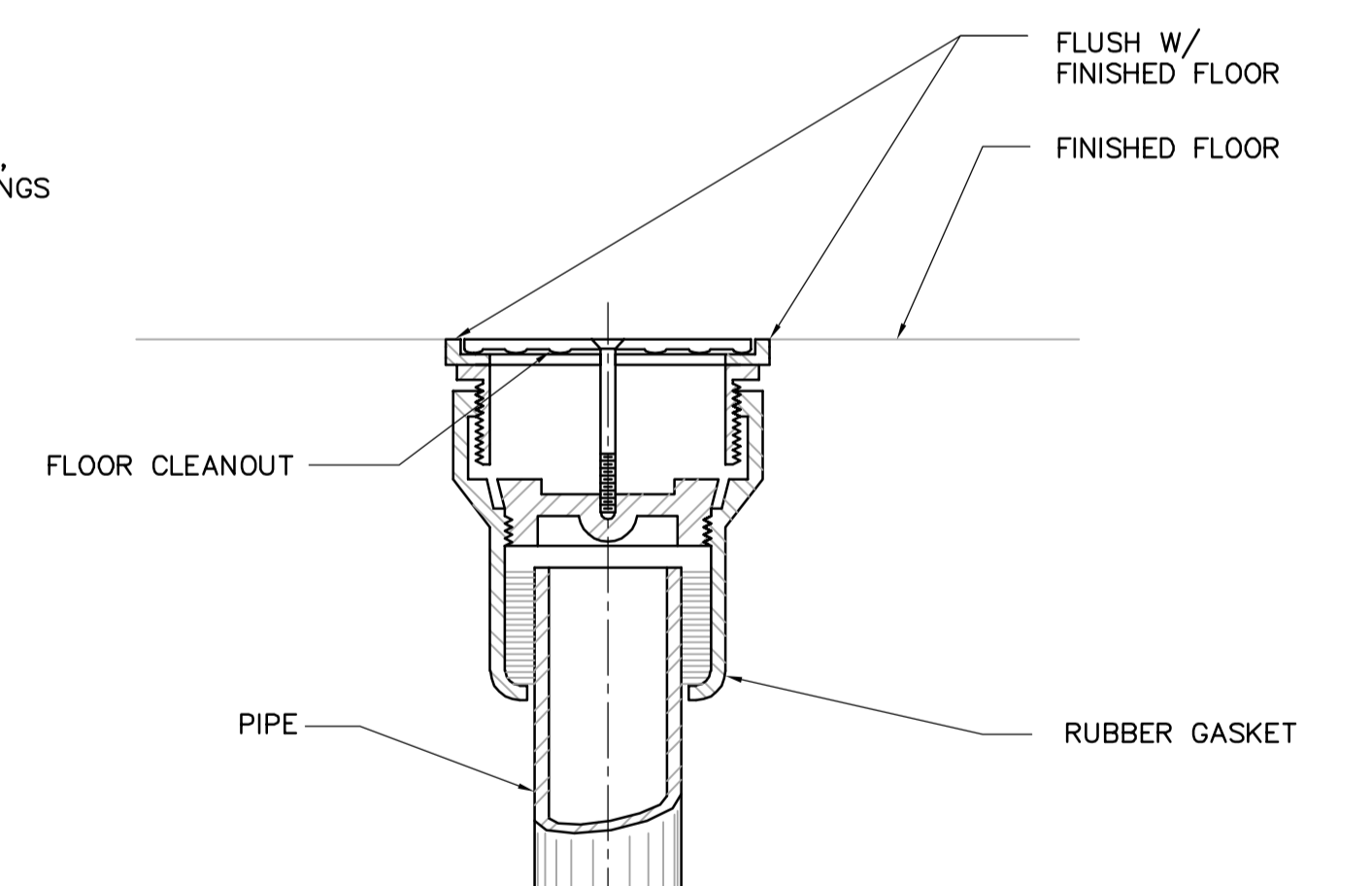


6 OZONE ROOM FLOOR DRAIN (FD-6)
- N.T.S.



NOTES:
1. EXTEND DRAINAGE PIPES INTO FUNNEL UNLESS OTHERWISE NOTED.
2. UNLESS SHOWN OTHERWISE, FABRICATE FUNNEL FROM SCHEDULE 10 STEEL. HOT DIP GALVANIZE AFTER FABRICATION.

7 FUNNEL DRAIN (FD-7)
- N.T.S.



8 FLOOR CLEANOUT (CO)
- N.T.S.

 Certificate of Authorization CH2M HILL Canada Ltd. No. 1441 Expiry: April 30, 2006	B.M. ELEV.	 Frederickson Cooper ARCHITECTS	 A 100 International Ltd. Company	ENGINEER'S SEAL	 THE CITY OF WINNIPEG WATER AND WASTE DEPARTMENT ENGINEERING DIVISION	
				DESIGNED BY JZ		CHECKED BY DL
		DRAWN BY YFS	APPROVED BY AHL	2006/03/29		WATER TREATMENT PLANT MAIN BUILDING MECHANICAL AND ELECTRICAL
		SCALE: NTS	RELEASED FOR CONSTRUCTION BY: R. SOROKOWSKI	CONSULTANT DRAWING NO. WB-H0471		CITY FILE NUMBER SHEET OF CITY DRAWING NUMBER 1-0601B-A-H0471-001-000
	00 ISSUED FOR TENDER 06/03/29 SW	DATE 2006/02/16	DATE 2006/03/29	PLUMBING STANDARD DETAILS		