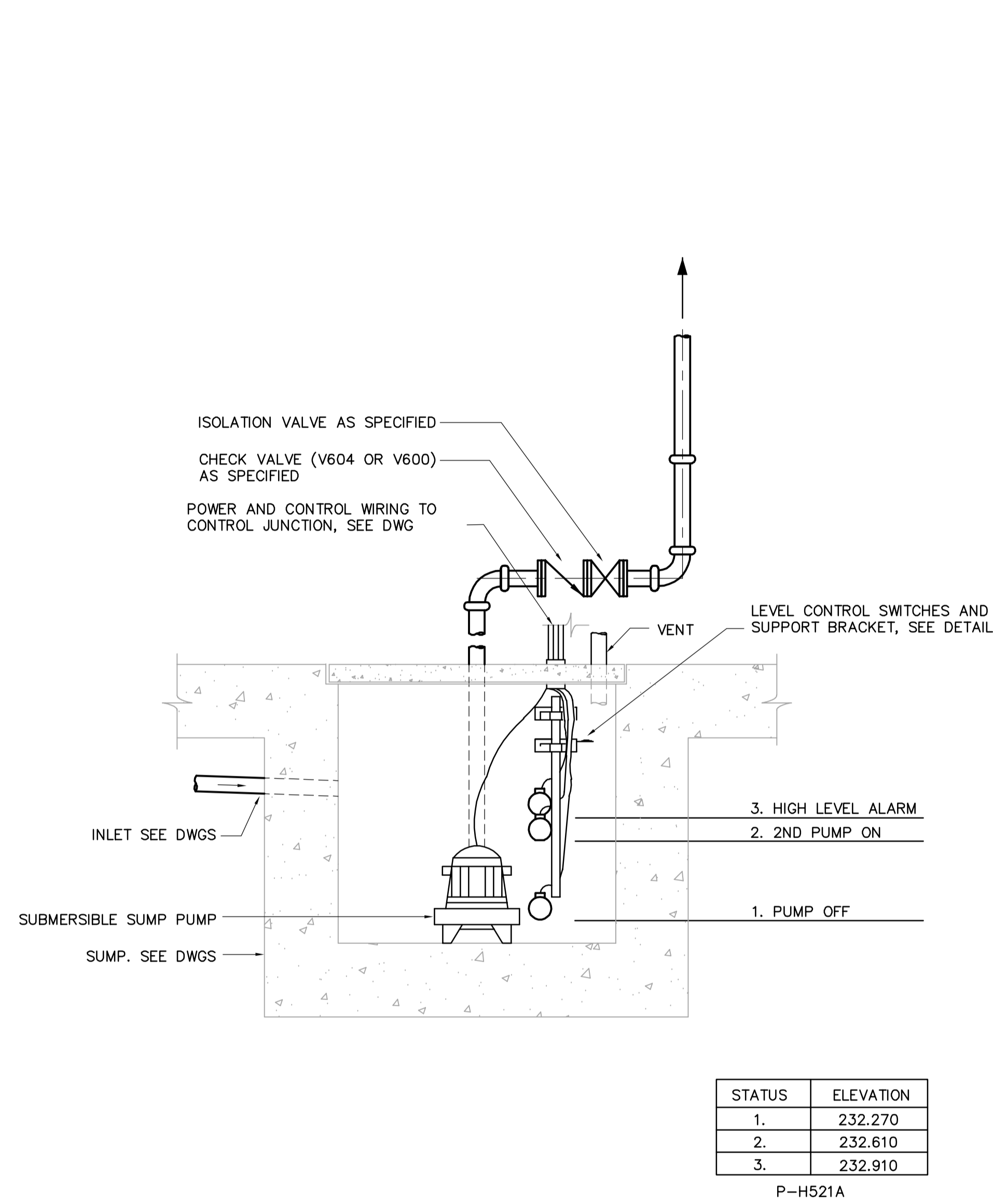
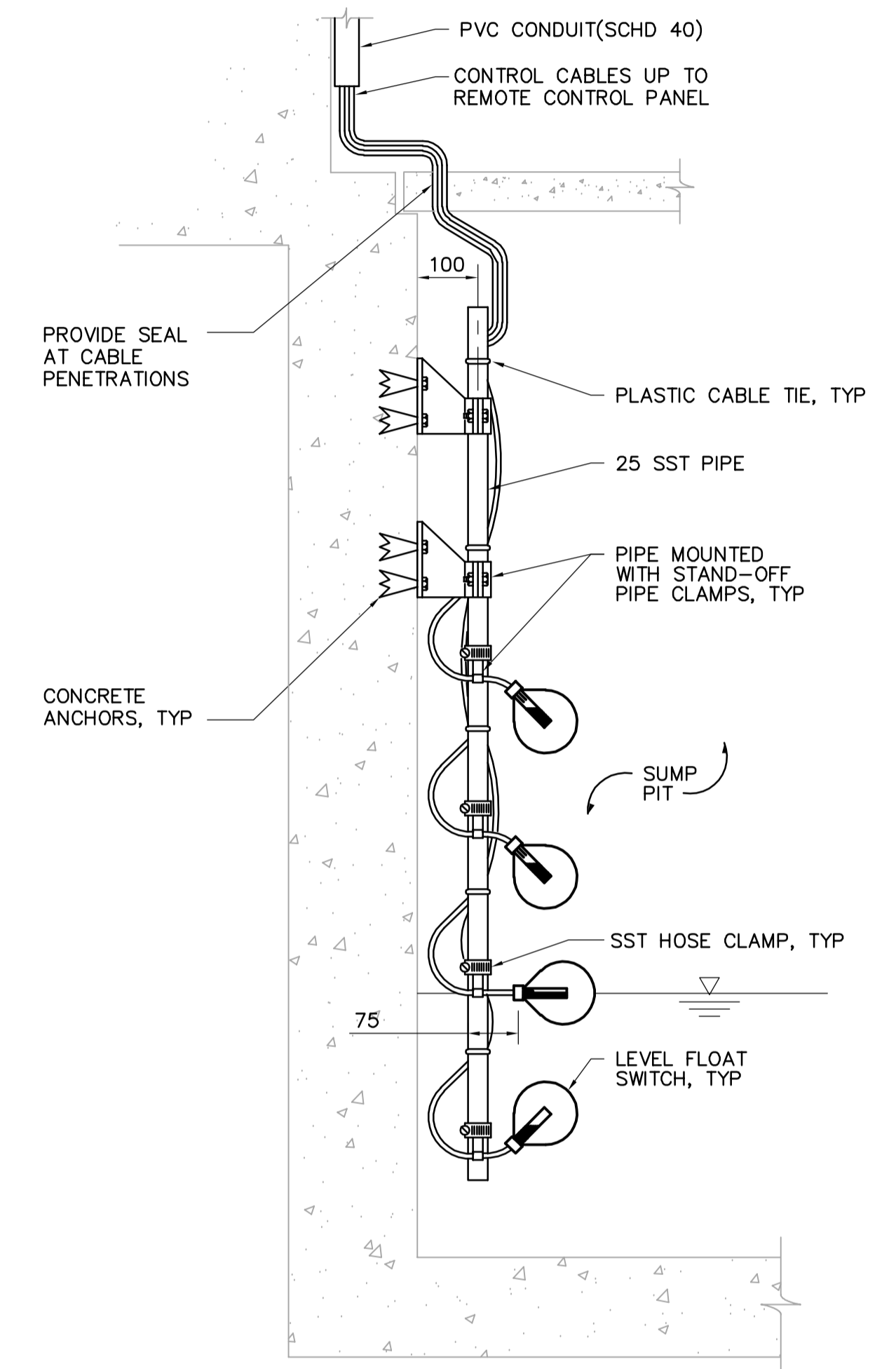


1 TYPICAL DUPLEX SUMP PUMP DETAIL
N.T.S.



2 ELEVATOR PIT SIMPLEX SUMP PUMP DETAIL
N.T.S.



3 LEVEL SWITCH
N.T.S.

NOTES:

- THIS DETAIL SHOWS GENERAL PIPING ARRANGEMENT. FOR SPECIFIC ORIENTATION OF PIPES AND VALVES, SEE PLANS.
- SANITARY SUMPS INSIDE BUILDING MUST BE SEALED AND VENTED AND CONFORM TO NECESSARY REQUIREMENTS FOR CLASS 1, GROUP D, ZONE 1 LOCATIONS.
- ADJUST SWITCHING LEVELS AS REQUIRED.

 APEGN Certificate of Authorization CH2M HILL Canada Ltd. No. 1441 Expiry: April 30, 2006	B.M. ELEV.	 Frederickson Cooper ARCHITECTS	 A Terra International Ltd. Company	ENGINEER'S SEAL ORIGINAL SIGNED BY D.K. CUDDINGTON 2006/03/29	 THE CITY OF WINNIPEG WATER AND WASTE DEPARTMENT ENGINEERING DIVISION WATER TREATMENT PLANT MAIN BUILDING MECHANICAL AND ELECTRICAL PLUMBING STANDARD DETAILS	CITY FILE NUMBER
	00 ISSUED FOR TENDER 06/03/29 SW	DESIGNED BY JZ CHECKED BY DL DRAWN BY YFS APPROVED BY AHL	CONSULTANT DRAWING NO. WB-H0472	SHEET OF		
	INQ. REVISIONS DATE BY DATE 2006/02/16 DATE 2006/03/29	SCALE: NTS RELEASED FOR CONSTRUCTION BY: R. SOROKOWSKI	CITY DRAWING NUMBER 1-0601B-A-H0472-001-000			