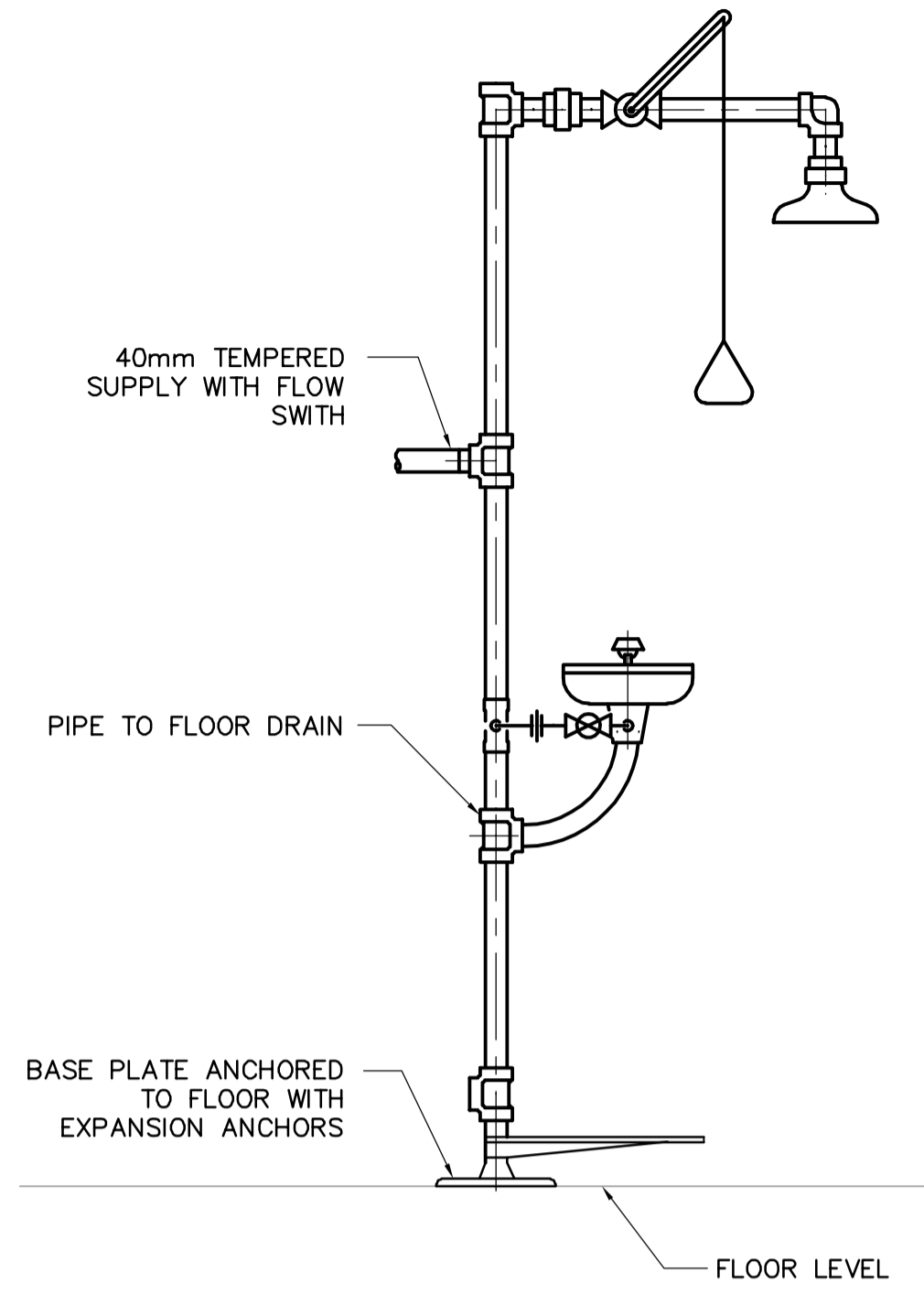
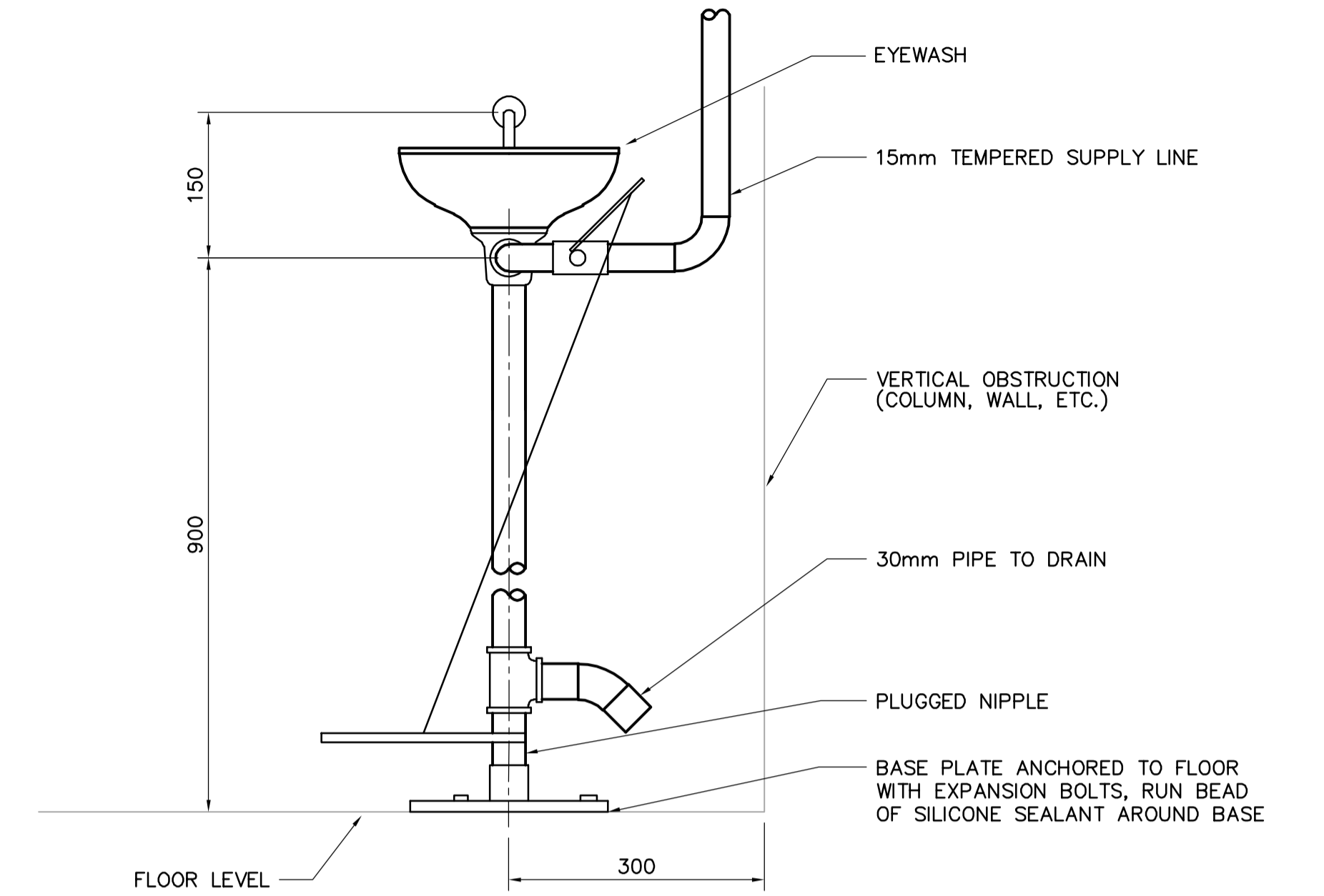


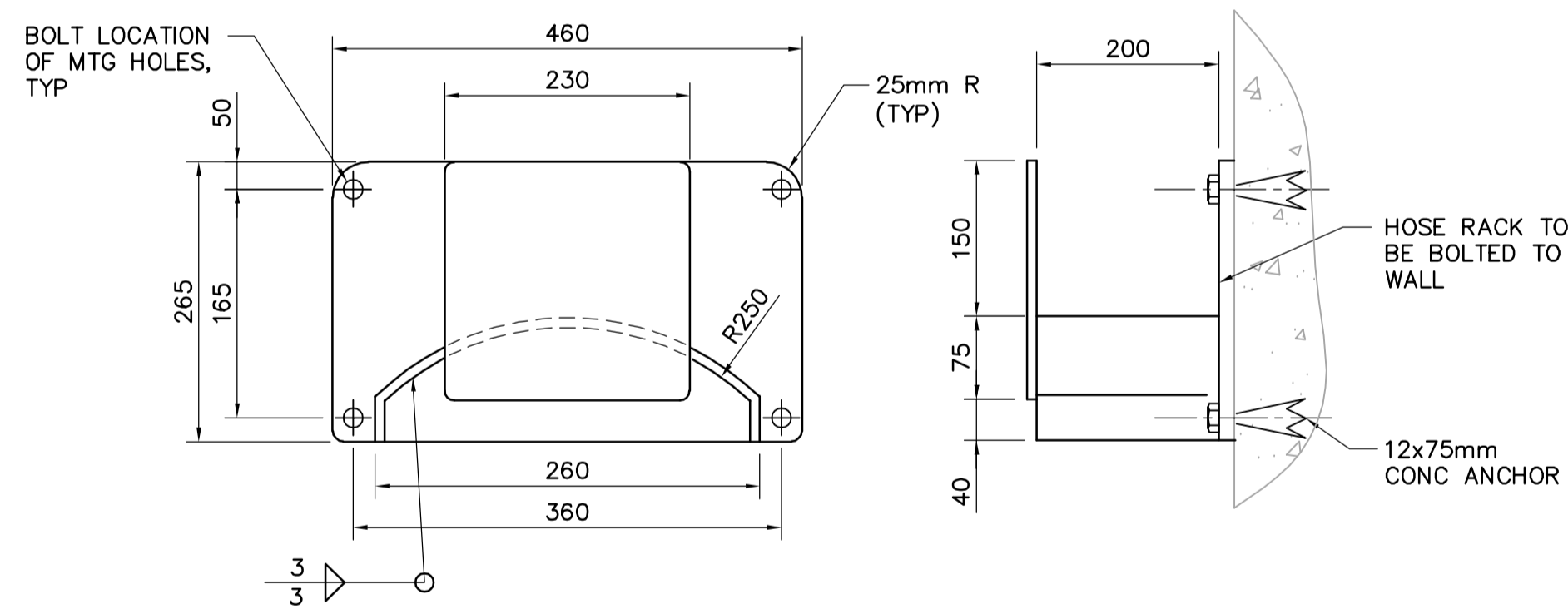
1 WALL HYDRANT (HB-3) DETAIL
N.T.S.



2 EMERGENCY EYEWASH/SAFETY SHOWER
N.T.S.

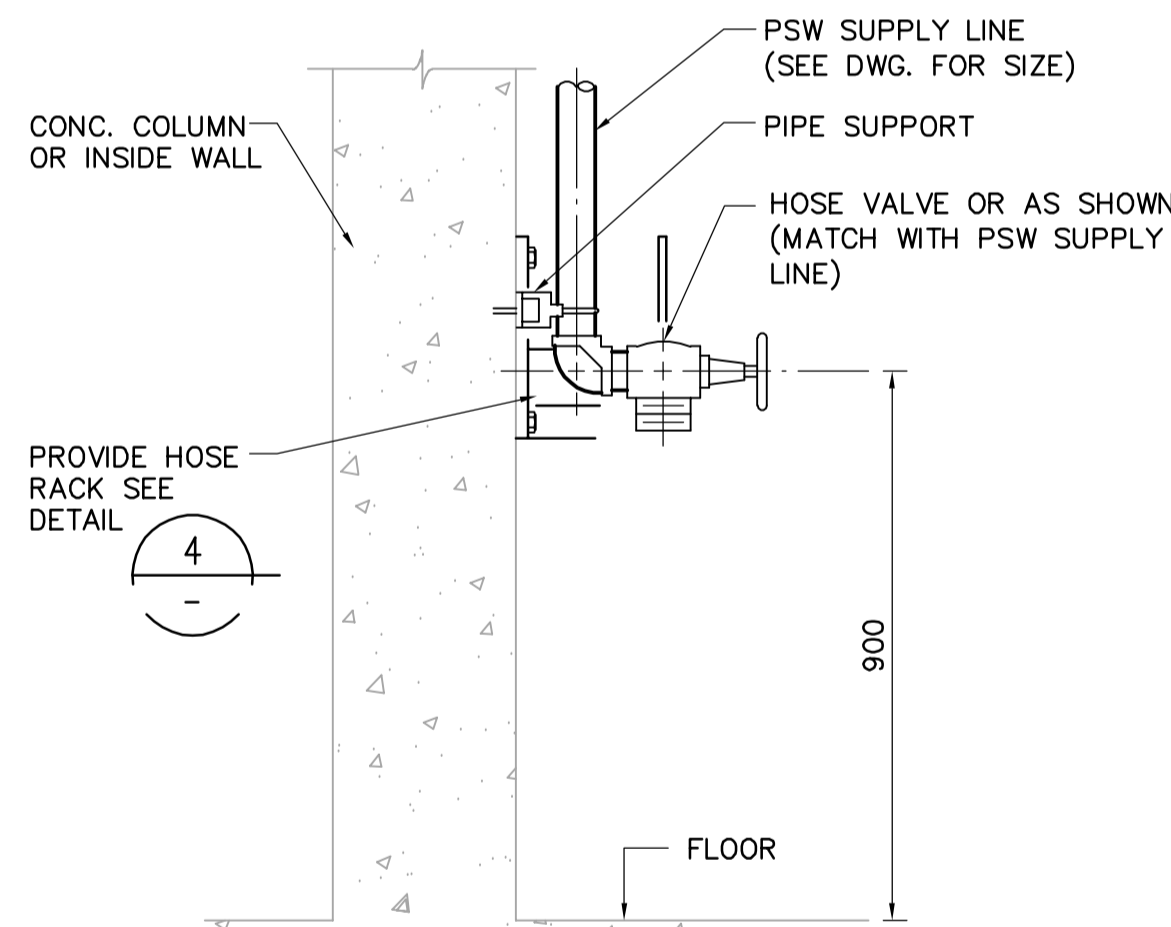


3 EMERGENCY EYEWASH STATION DETAIL
N.T.S.



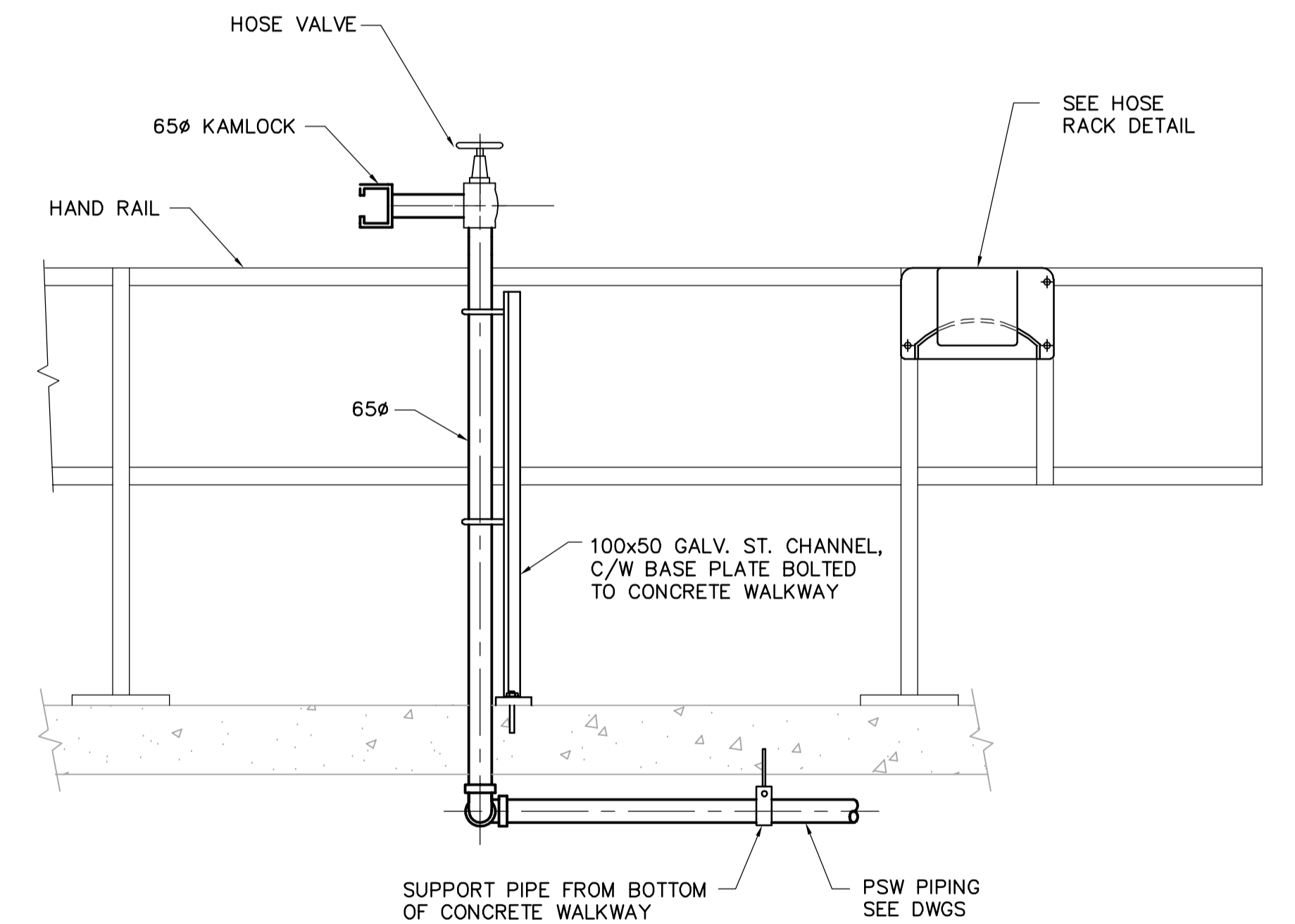
NOTES:
1. UNITS SHALL BE FABRICATED FROM 3 THK A-36 STEEL PLATE, HOT DIP GALVANIZED AFTER FABRICATION.
2. ROUND ALL SHARP EDGES.

4 HOSE RACK DETAIL
N.T.S.



NOTE:
ROTATE HOSE VALVE 30° OFF WALL.

5 INTERIOR HOSE VALVE (HB-1) FOR 25mm (HB-4) FOR 65mm DETAIL
N.T.S.



6 HOSE STATION (HB-2) DETAILS
N.T.S.

<p>Certificate of Authorization CH2M HILL Canada Ltd. No. 1441 Expiry: April 30, 2006</p>	B.M. ELEV.	<p>Frederickson Cooper ARCHITECTS</p>	<p>A Tetra International Ltd. Company</p>	ENGINEER'S SEAL	<p>THE CITY OF WINNIPEG WATER AND WASTE DEPARTMENT ENGINEERING DIVISION</p>		
				DESIGNED BY JZ		CHECKED BY DL	ORIGINAL SIGNED BY D.K. CUDDINGTON
				DRAWN BY YFS		APPROVED BY AHL	2006/03/29
				SCALE: NTS		RELEASED FOR CONSTRUCTION BY: R. SOROKOWSKI	CONSULTANT DRAWING NO. WB-H0473
	00 ISSUED FOR TENDER 06/03/29 SW			DATE 2006/02/16		DATE 2006/03/29	
NO. REVISIONS	DATE	BY			<p>WATER TREATMENT PLANT MAIN BUILDING MECHANICAL AND ELECTRICAL</p> <p>PLUMBING</p> <p>STANDARD DETAILS</p>	<p>CITY FILE NUMBER</p> <p>SHEET OF</p> <p>CITY DRAWING NUMBER</p> <p>1-0601B-A-H0473-001-000</p>	