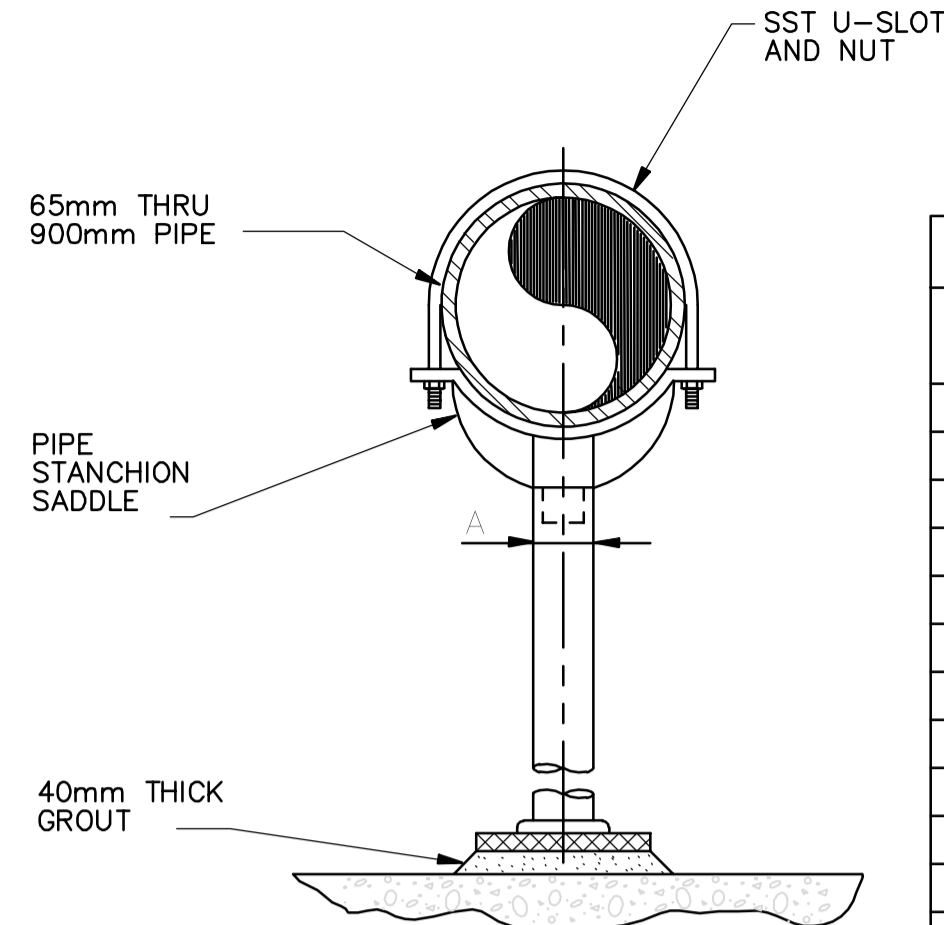


PIPE SIZE ( DIA )	A ( DIA )
65	65
80	65
100	75
150	75
200	75
250	75
300	75
350	100
400	100
500	150
600	150
750	150
900	150

NOTES :  
1: ALL DIMENSIONS IN MILLIMETERS, UNLESS OTHERWISE NOTED.

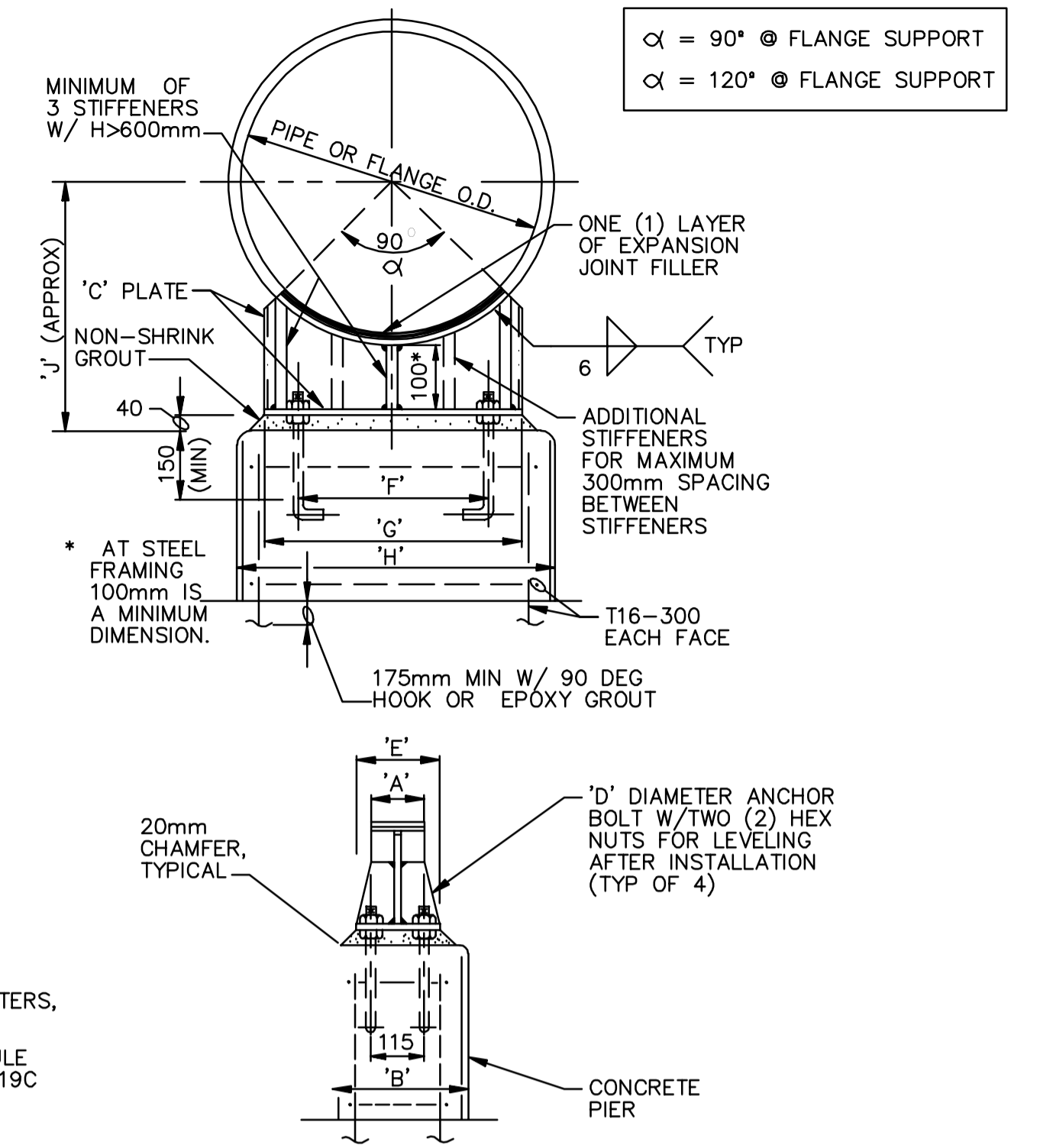
1 PIPE SUPPORT



PIPE SIZE ( DIA )	A ( DIA )
65	65
80	65
100	75
150	75
200	75
250	75
300	75
350	75
400	75
500	100
600	100
750	100
900	100

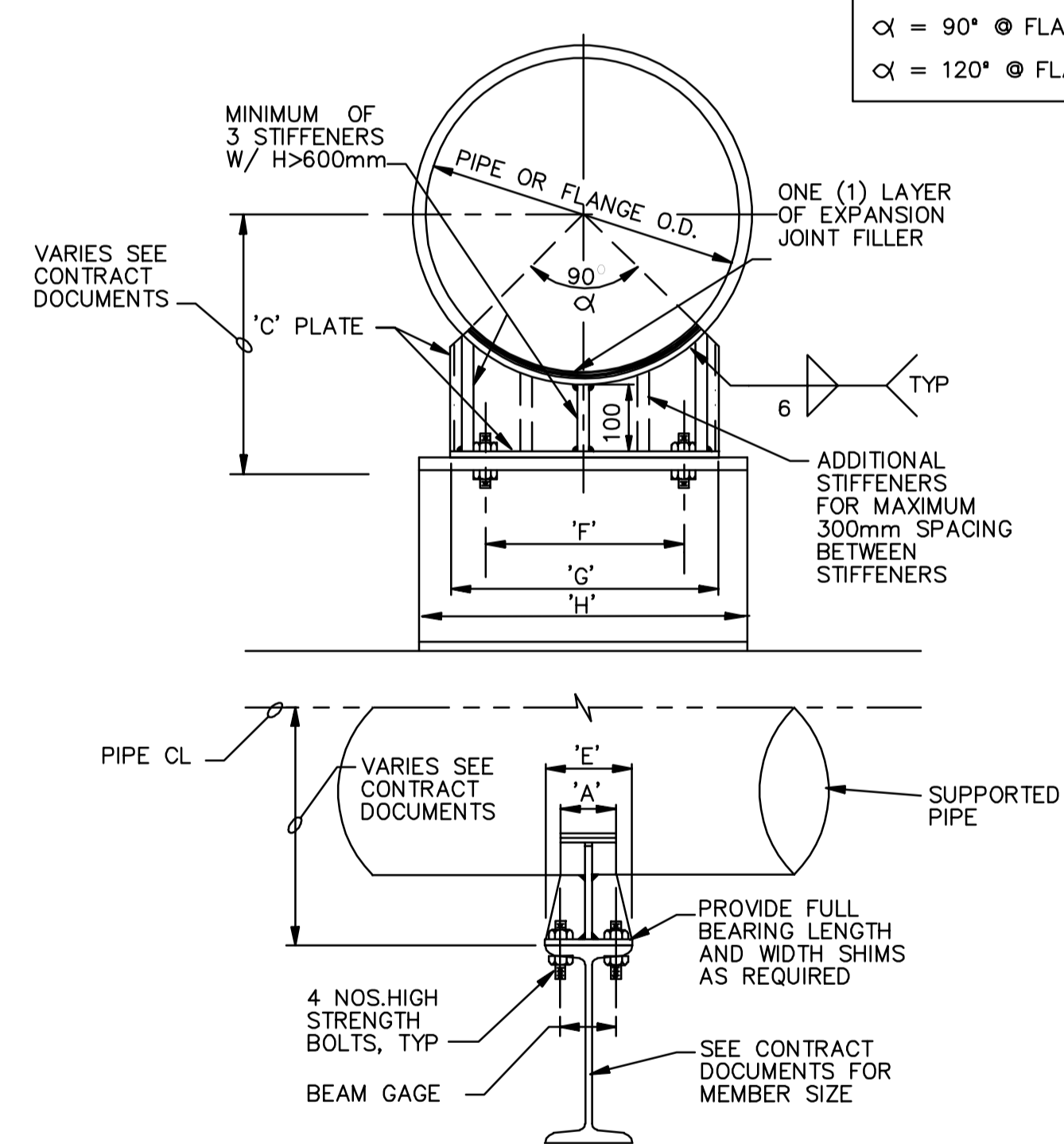
NOTES :  
1: ALL DIMENSIONS IN MILLIMETERS, UNLESS OTHERWISE NOTED.

2 PIPE SUPPORT



NOTES:  
1. ALL DIMENSIONS IN MILLIMETERS, UNLESS OTHERWISE NOTED.  
2. SEE PIPE SUPPORT SCHEDULE AND NOTES ON DETAIL 15519C

3 SMALL DIA PIPE SADDLE SUPPORT - CONCRETE PIER



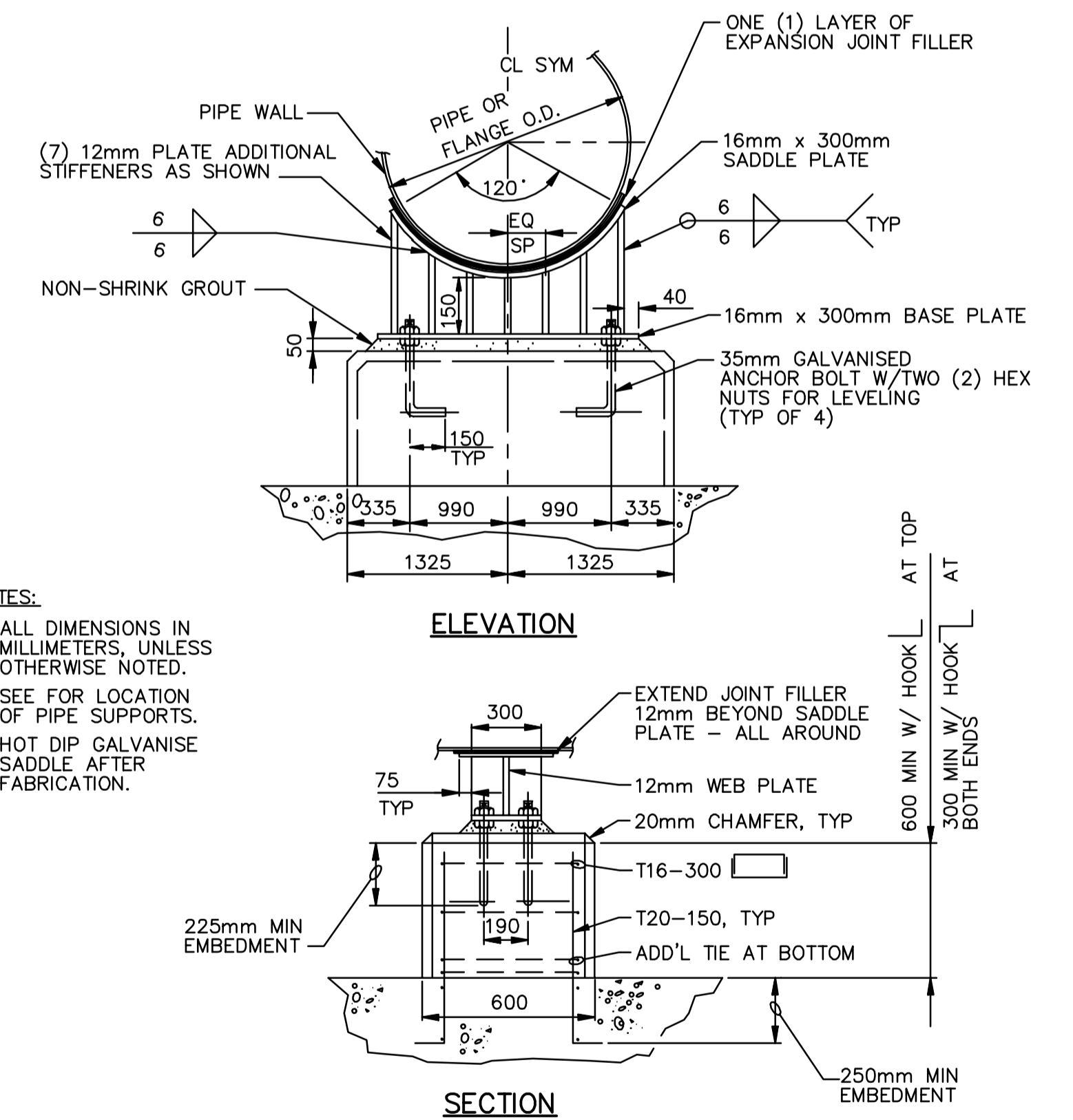
NOTES:  
1. ALL DIMENSIONS IN MILLIMETERS, UNLESS OTHERWISE NOTED.  
2. REFER TO PIPE SUPPORT SCHEDULE AND NOTES ON DETAIL 15519C

4 SMALL DIA PIPE SADDLE SUPPORT - STEEL MEMBER

NOMINAL PIPE SIZE ( DIA )	DIMENSIONS IN MILLIMETERS												
	SUPPORTING												
	PIPE						FLANGE						
	'A'	'B'	'C'	'D'	'E'	'F'	'G'	'H'	'J'	'F'	'G'	'H'	'J'
150	100	300	10	M16	150	115	155	305	250	160	230	405	330
200	100	300	10	M16	150	125	205	330	275	190	230	405	355
250	100	300	10	M16	150	155	230	380	300	225	330	455	380
300	100	300	10	M16	150	180	280	430	325	250	380	510	405
350	100	300	10	M16	150	205	305	430	350	275	405	535	430
400	100	300	10	M16	150	230	330	480	375	305	455	610	455
450	100	300	10	M16	150	255	355	510	400	330	485	610	485
500	125	300	10	M16	150	255	380	535	425	380	535	660	535
550	125	300	10	M16	150	305	455	610	450	405	585	710	560
600	125	300	10	M16	150	330	485	610	475	405	610	760	585
650	125	300	10	M20	150	355	535	685	500	455	660	815	610
750	125	300	10	M20	150	405	584	710	550	510	740	865	660
850	125	375	10	M20	150	455	660	815	600	560	840	990	740
900	150	375	10	M20	150	485	685	815	650	610	865	1015	760
1000	150	450	15	M24	200	535	785	915	675	685	990	1145	820
1200	150	450	15	M24	200	610	915	1070	775	760	1120	1270	940

NOTES:  
1. THIS SCHEDULE IS TO BE USED WITH DETAILS 15519A AND 15519B.  
2. GALVANISE PIPE SUPPORT AFTER FABRICATION.

5 SMALL DIA PIPE SADDLE SUPPORT - PIPE SCHEDULE



NOTES:  
1. ALL DIMENSIONS IN MILLIMETERS, UNLESS OTHERWISE NOTED.  
2. SEE FOR LOCATION OF PIPE SUPPORTS.  
3. HOT DIP GALVANISE SADDLE AFTER FABRICATION.

6 LARGE DIA PIPE SADDLE SUPPORT

<p>Certificate of Authorization CH2M HILL Canada Ltd. No. 1441 Expiry: April 30, 2006</p>	B.M. ELEV.	CH2MHILL Frederickson Cooper ARCHITECTS	EarthTech A Yoo International Ltd. Company	ENGINEER'S SEAL	<p>THE CITY OF WINNIPEG WATER AND WASTE DEPARTMENT ENGINEERING DIVISION</p>
		DESIGNED BY TB	CHECKED BY LS	ORIGINAL SIGNED BY P. WOBMA	
		DRAWN BY P SINGH	APPROVED BY AHL	2006/03/29	
		SCALE: NTS	RELEASED FOR CONSTRUCTION BY: R. SOROKOWSKI	CONSULTANT DRAWING NO. WB-M0456	
	00 ISSUED FOR TENDER 06/03/29 TB	DATE 2005/12/02	DATE 2006/03/29		<p>WATER TREATMENT PLANT MAIN BUILDING MECHANICAL AND ELECTRICAL</p> <p>PROCESS MECHANICAL</p> <p>STANDARD DETAILS</p>
	NO. REVISIONS	DATE	DATE		<p>CITY FILE NUMBER</p> <p>SHEET OF</p> <p>CITY DRAWING NUMBER</p> <p>1-0601B-A-M0456-001-000</p>