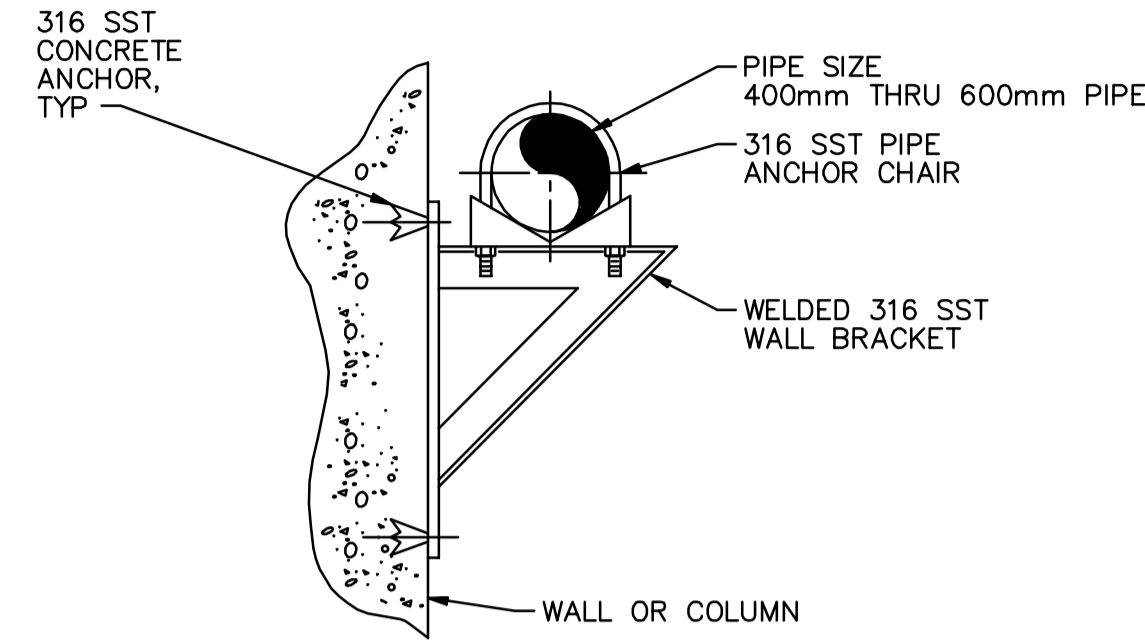


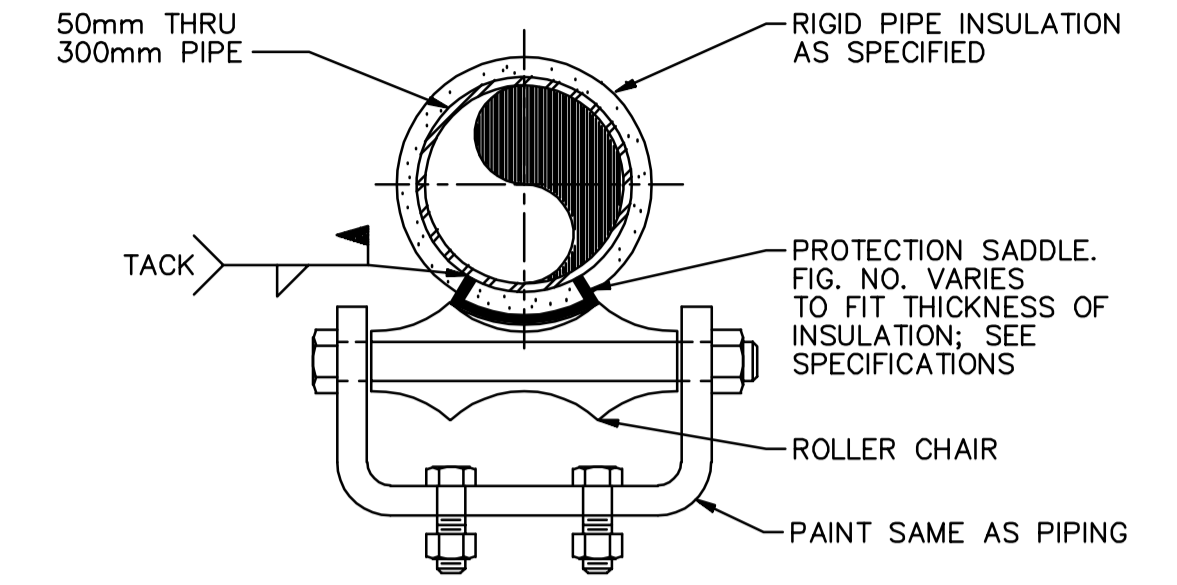
- NOTES:
1. ALL DIMENSIONS IN MILLIMETERS, UNLESS OTHERWISE NOTED.
 2. WALL BRACKET SHALL BE MEDIUM OR HEAVY DUTY DEPENDING ON PIPE LOAD REQUIREMENTS.
 3. NOT FOR USE WITH PVC PIPE.

1 PIPE SUPPORT - WALL MOUNTED MEDIUM



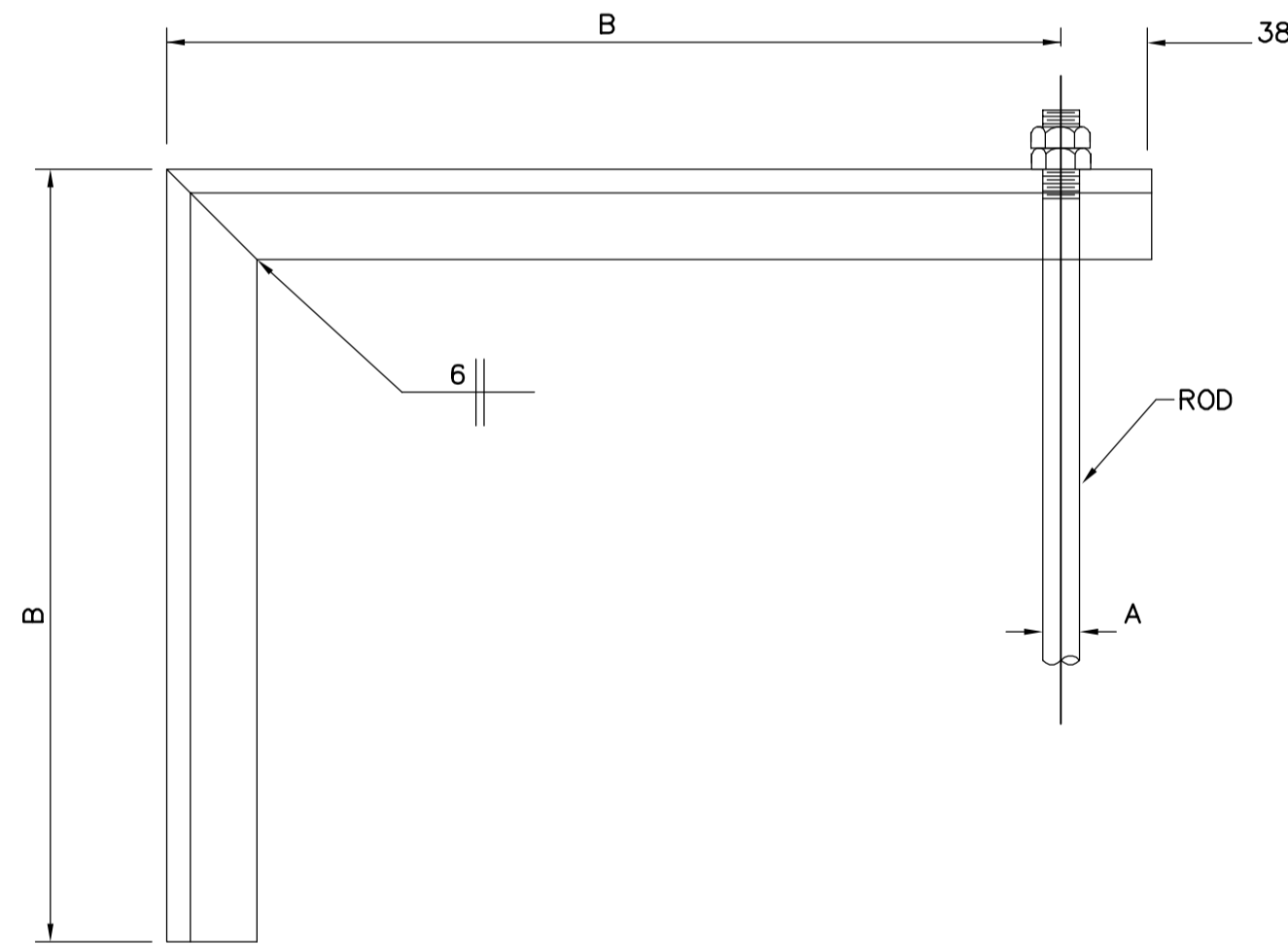
- NOTES:
1. ALL DIMENSIONS IN MILLIMETERS, UNLESS OTHERWISE NOTED.
 2. WALL BRACKET SHALL BE HEAVY DUTY DEPENDING ON PIPE LOAD REQUIREMENTS.
 3. NOT FOR USE WITH PVC PIPE.

2 PIPE SUPPORT - WALL MOUNTED HEAVY



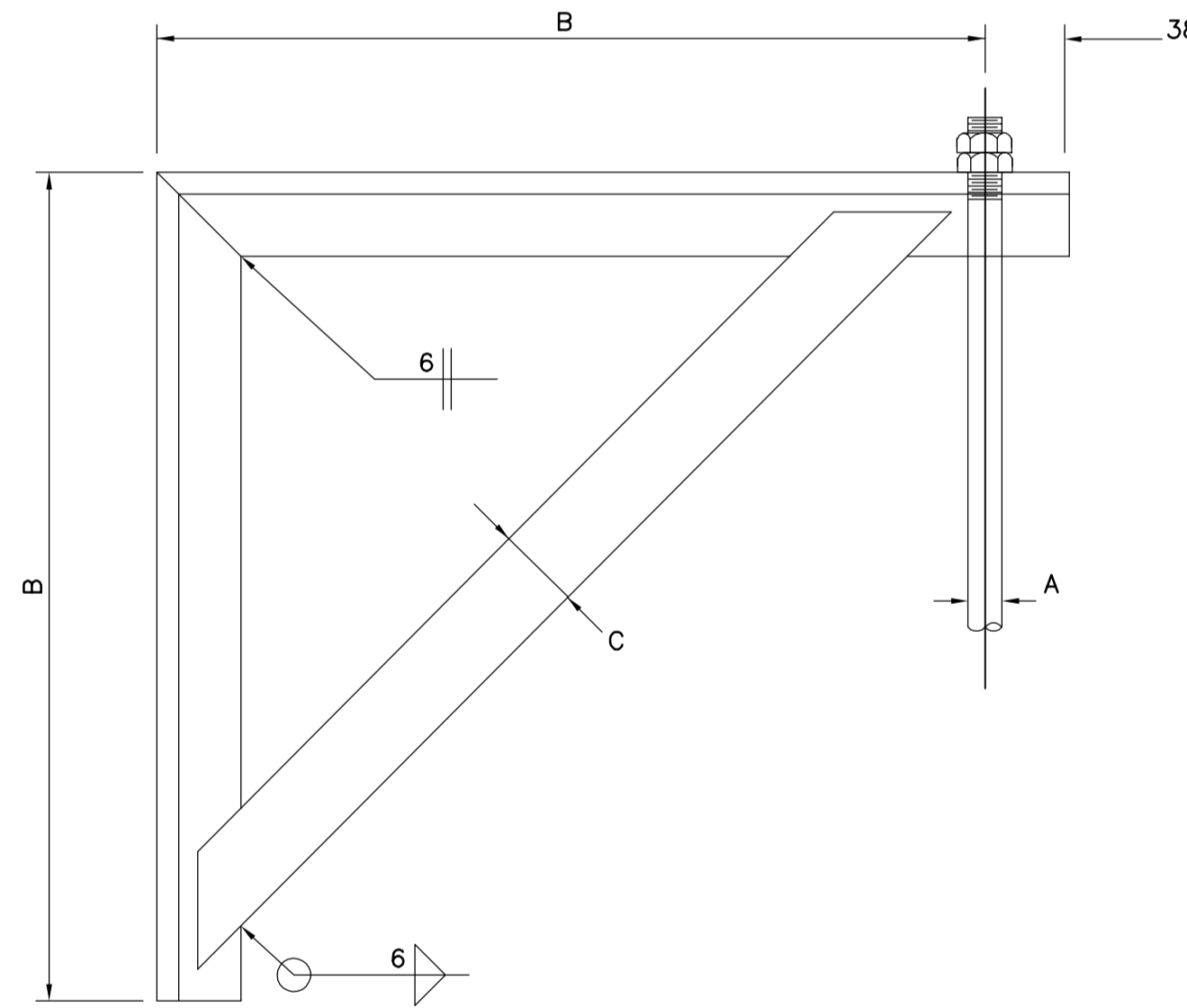
- NOTES :
1. ALL DIMENSIONS IN MILLIMETERS, UNLESS OTHERWISE NOTED.

3 PIPE SUPPORT



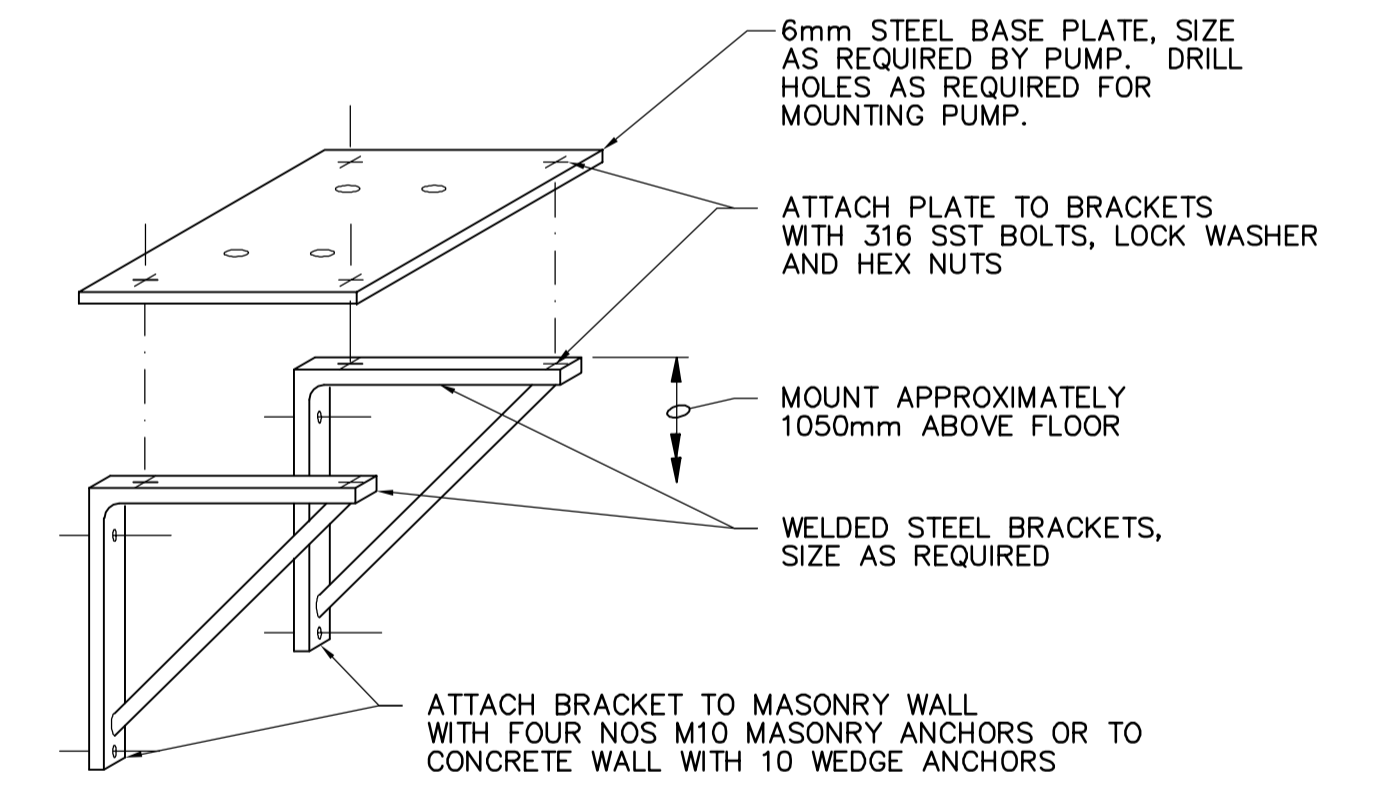
MAX. ROD SIZE "A"	RECOM. MAX LOAD Kg.				ANGLE SIZE
	B-6	B-8	B-10	B-12	
19	350	200	200	163	64x64x6
22	450	400	300	250	75x75x6
25	900	600	498	450	100x100x6

4 ANGLE BRACKET



MAX. ROD SIZE "A"	RECOM. MAX LOAD Kg.			FLAT BAR	ANGLE SIZE
	B-14	B-16	B-18		
19	320	220	230	64x10	64x64x6
22	410	320	270	64x10	75x75x6
25	544	450	360	75x10	100x100x6

5 LONG ANGLE BRACKET



- NOTES:
1. ALL DIMENSIONS IN MILLIMETERS, UNLESS OTHERWISE NOTED.
 2. HOT DIP GALVANISE ENTIRE ASSEMBLY AFTER FABRICATION.

6 PUMP SUPPORT

<p>APECA Certificate of Authorization CH2M HILL Canada Ltd. No. 1441 Expiry: April 30, 2006</p>	B.M. ELEV.			ENGINEER'S SEAL	<p>THE CITY OF WINNIPEG WATER AND WASTE DEPARTMENT ENGINEERING DIVISION</p>	
		Frederickson Cooper ARCHITECTS	A Terra International Ltd. Company	DESIGNED BY: TB		ORIGINAL SIGNED BY: P. WOBMA
				CHECKED BY: LS		2006/03/29
				APPROVED BY: AHL		CONSULTANT DRAWING NO. WB-M0459
			SCALE: NTS	RELEASED FOR CONSTRUCTION BY: R. SOROKOWSKI	<p>WATER TREATMENT PLANT MAIN BUILDING MECHANICAL AND ELECTRICAL</p>	
					<p>PROCESS MECHANICAL</p>	
					<p>STANDARD DETAILS</p>	
					<p>CITY FILE NUMBER</p>	
					<p>SHEET OF</p>	
					<p>CITY DRAWING NUMBER</p>	
					<p>1-0601B-A-M0459-001-000</p>	